

# Icon SH3636 Acrylx Alcove One-Piece Shower

**Model number:**

107159-000-002-000

**Dimensions:** 36" x 36" x 75.5"

**Installation:** Alcove

**Material:** AcrylX™ Applied Acrylic



## Standard Features:

- Made of AcrylX™ applied acrylic for improved durability
- Slip-resistant textured bottom for additional safety
- Available with and without an Above-the-Floor Rough (AFR) configuration
- Built-in shelf provide generous storage space, making it easy to keep bathing essentials organized
- Pair with the optional teak wood seat to add functionality to the shower space
- Smooth Walls for a modern and minimalist look

## Product characteristics:

- One-Piece Unit
- AcrylX™
- Modern Minimalist Design

## Code Compliant:

CSA  
FHA

## Standard Colors:



White

## Certifications

MAAX products adhere to one or more of the following certifications:



# MAAX

# Icon SH3636 Acrylx Alcove One-Piece Shower

**Model number:**

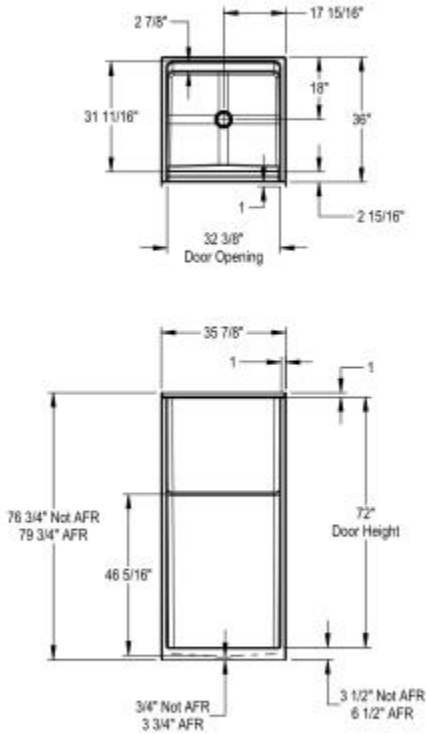
107159-000-002-000

**Dimensions:** 36" x 36" x 75.5"

**Installation:** Alcove

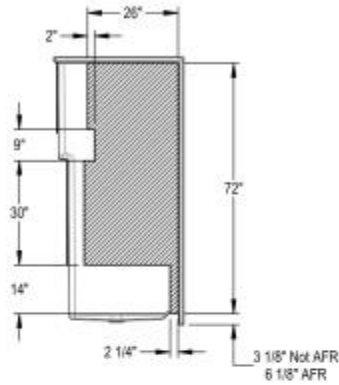
**Material:** AcrylX™ Applied Acrylic

BASE MODEL  
Center Drain Shown

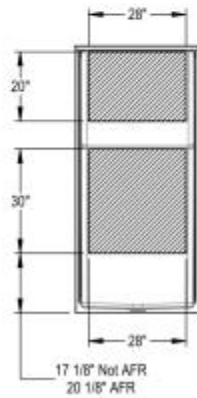


All dimensions are approximate. Structure measurements must be verified against the unit to ensure proper fit.

REINFORCEMENT OPTION  
Left Wall Shown, Symmetrical for Right



REINFORCEMENT OPTION  
Back Wall Shown



## Dimensions

36 x 36 x 75 1/2 In.  
(914 x 914 x 1918 mm)

## Weight

100 lbs - 45 kg

## Shape

Square

## Pieces

1

## Drain location:

Center

Project:

Contractor:

Representative:

Date:

Tel:

Notes:

# MAAX