

Features

- Designed in collaboration with Studio McGee
- Set includes cabinet, precut quartz vanity top, backsplash, sink, cabinet hardware
- Full-extension 17" (432 mm) drawers with soft-close undermount slides
- Removable dividers in top drawers to personalize drawer organization
- Three-way adjustable slow-close door hinges for easy cabinet access
- 20-7/16" (519 mm) cabinet interior provides ample storage space
- Finish-matched cabinet interior offers generous clearance for plumbing
- Vanity top has single faucet hole; requires deck-mount faucet (sold separately)
- Vibrant® Brushed Moderne Brass hardware is included on White Oak vanities and Vibrant Polished Nickel hardware on White vanities. Additional hardware finishes are available (sold separately)
- Bianco Bella (GBB) quartz vanity top adds beauty and long-lasting durability
- Coordinates with Bianco Bella (GBB) quartz side splash (sold separately)

Material

- Quartz vanity top
- Vitreous china sink
- Solid and composite wood
- Wood is a living material, and its beauty is enhanced by natural variations in grain, color, and pattern. No two pieces of wood are exactly the same, and the color will change with age, temperature, and exposure to light

Installation

- Easy installation – no special tools required
- Sink preinstalled on vanity top to simplify installation

Recommended Products/Accessories

K-38554 4" x 21-11/16" quartz side splash



Codes/Standards

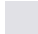
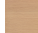
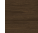
ASME A112.19.2/CSA B45.1

KOHLER® One-Year Limited Warranty

See website for detailed warranty information.

Available Colors/Finishes

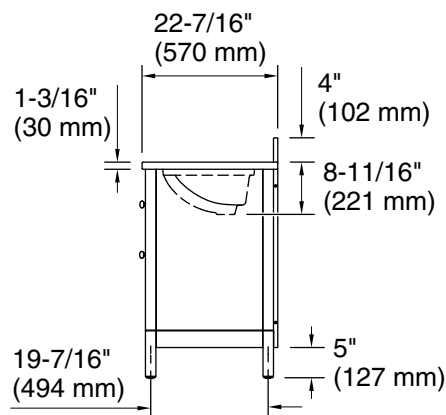
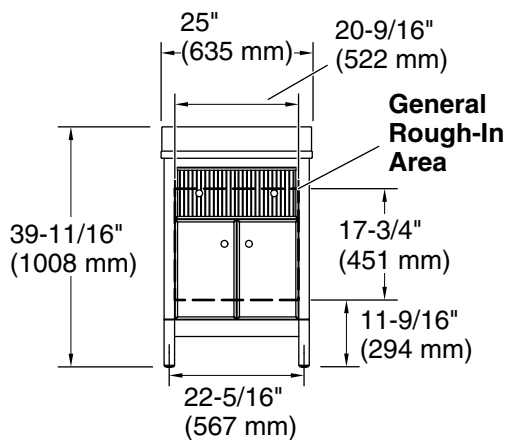
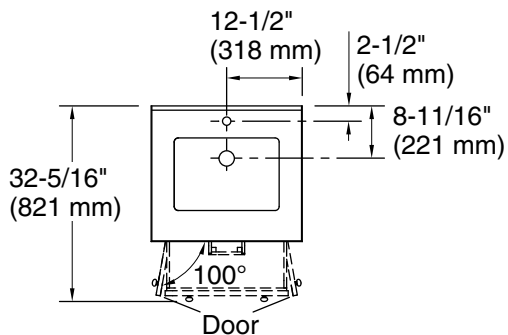
Color tiles intended for reference only.

Color	Code	Description
	0	White
	SWK	White Oak
	DAK	Draper Oak



Malin™ by Studio McGee

24" bathroom vanity cabinet with sink and quartz top
K-35018



Technical Information

All product dimensions are nominal.

Lighting included: No

Notes

Install this product according to the installation instructions.

Select the type of fastener based upon the wall material. Two 250 lb (113.4 kg) minimum load bearing fasteners are recommended with a lag bolt of length to clear obstacles in the wall and 5/16" washers. Calculate the proper lag bolt length by adding the 1-1/2" (38 mm) backing material, plus the wallboard thickness, plus the back rail thickness.