



**Winnow®**  
24" x 28" wall cabinet  
**K-33583-ASB**

**Features**

- Open shelf offers easy access to storage, while interior shelf provides ample space for extra toilet paper
- Three-way adjustable slow-close door hinges for easy cabinet access
- Finish-matched 10"-deep cabinet interior
- Customize your storage with optional accessories such as floor liners, drawer organizers, and perfectly sized containers (sold separately)

**Material**

- Solid wood and moisture-resistant MDF
- Painted exterior

**Installation**

- Easy installation – no special tools required

**Required Products/Accessories**

K-33584 4" cabinet pull



**Codes/Standards**



EPA TSCA Title VI/CARB P2

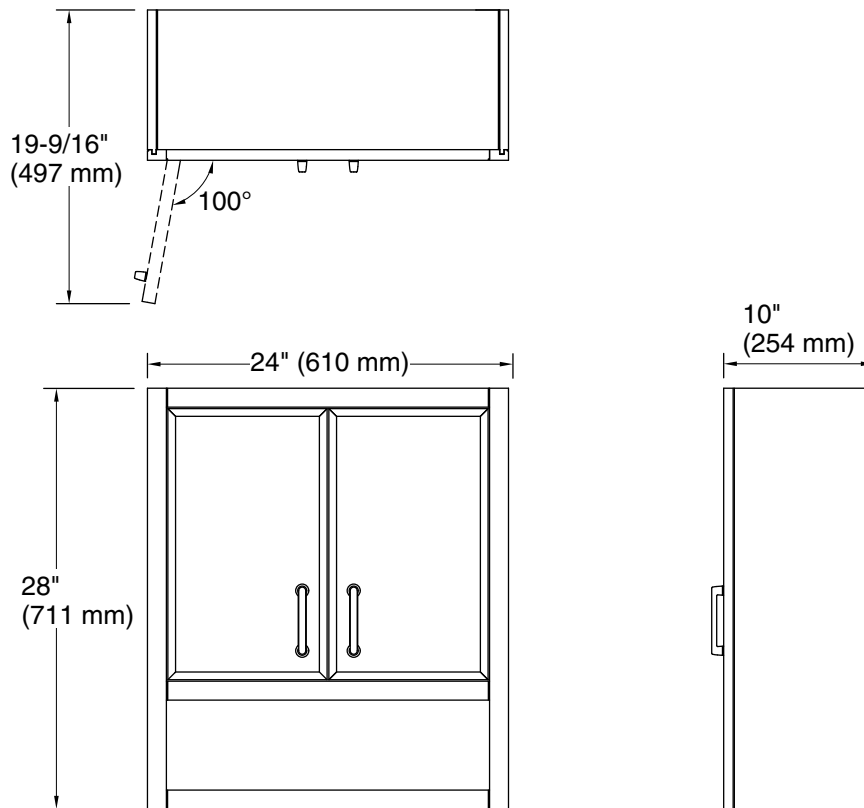
**KOHLER® One-Year Limited  
Warranty**

See website for detailed warranty information.

**Available Colors/Finishes**

*Color tiles intended for reference only.*

Color	Code	Description
	0	White
	1WX	Slate Grey



### Technical Information

All product dimensions are nominal.

Lighting included: No

### Notes

Install this product according to the installation instructions.