

Collection 1840

#91893

Thermostatic shower system - 3 functions



FEATURES

Uniplex T.2.3 - 1/2" thermo valve with 3-way diverter)
shared functions (#90801)
Trim set (handles included) (#18893)
9" rainhead (#90813)
18" shower wall arm (#90748)
4" arm for ceiling installation included
3-function complete shower rail with 5' double interlock
flexible hose (chrome-01) or 5' PVC hose (Electro Black-41)
(#90840)
Adjustable waterway (#90734)
Tub spout

FINISH

Polished chrome (01)
Electro black (41)

WARRANTY

Complete warranty available at <https://alt-aqua.com/warranty/>

CODE & COMPLIANCE



Uniplex T .2.3 1/2" thermostatic valve with diverter 2 or 3 way



FEATURES

- Solid brass
- German made cartridges (diverter cartridge not included)
- Service check valves / stop valves
- Optional top outlet 1/2" NPT
- Reversible service check valves with / stop valves
- Diverter test cap
- 1/2" female water inlets/outlets - NPT/sweat
- Flow rate: 6.5 gpm (24.6 L/min)

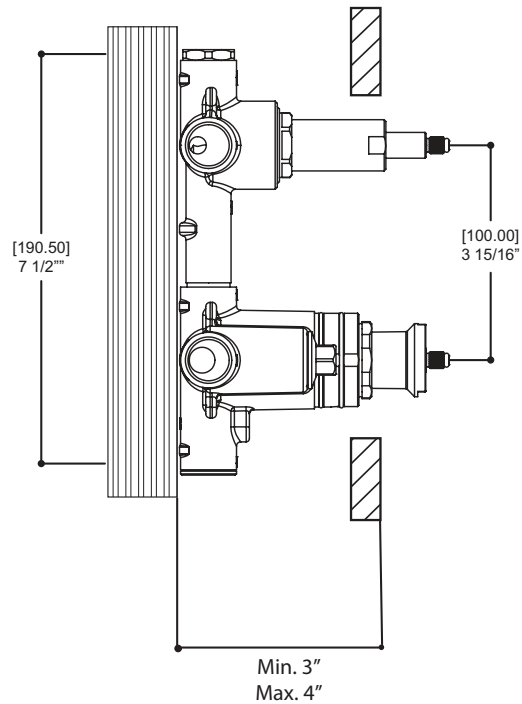
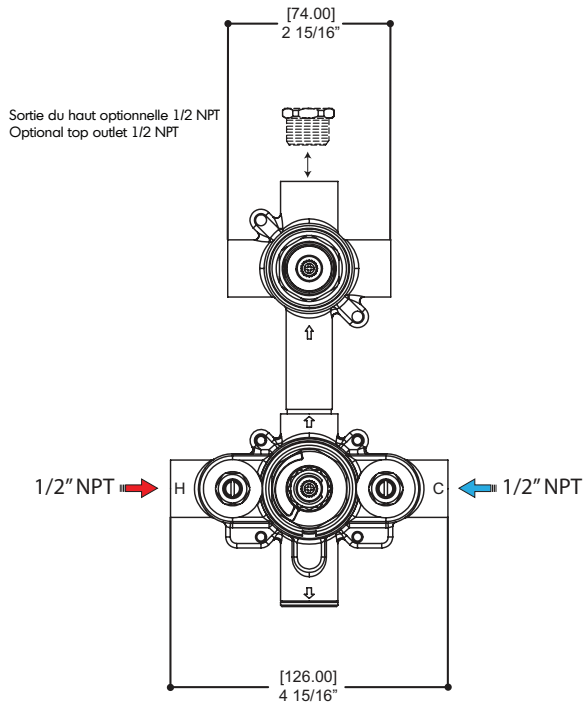
FINISH

Polished chrome (pc)

WARRANTY

Limited lifetime warranty on all cartridges and also on the polished chrome finish. All other components and parts carry a limited five-year warranty.

CODE & COMPLIANCE



Collection 1840

#18893-18883

Trim set for Uniplex thermostatic valve - 3-way diverter
 for Uniplex T.2.3 valve



FEATURES

- Round trim
- Single temperature control
- Ceramic diverter cartridge and handles included
- Flow rate: 6.5 gpm (24.6 L/min.) at 45 psi
- Uniplex T.2.3 valve rough not included
- Safety temperature limit stopper

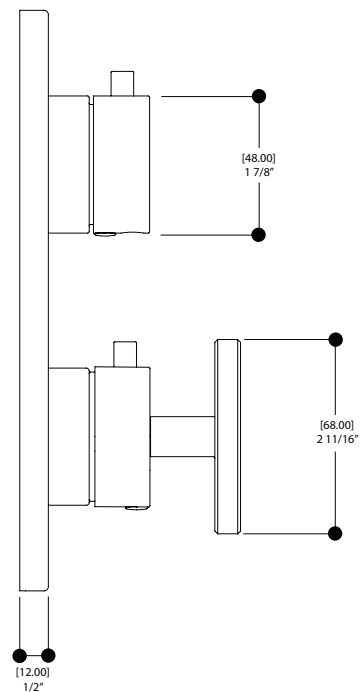
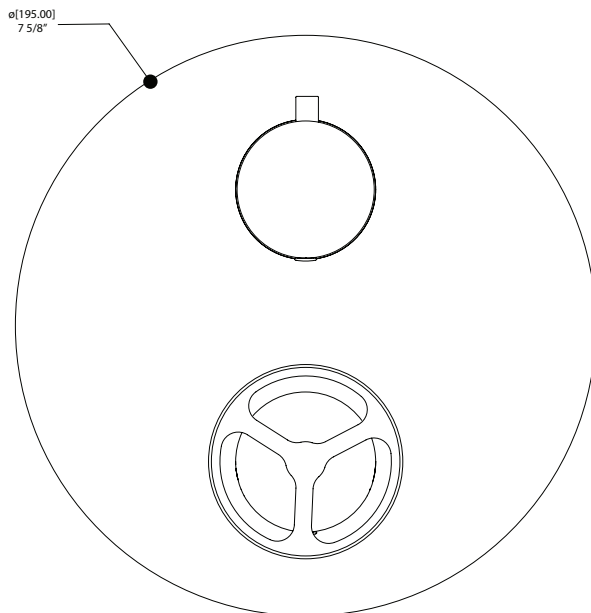
FINISH

- Polished chrome (01)
- Electro black (41)

WARRANTY

Complete warranty available at <https://alt-aqua.com/warranty/>

CODE & COMPLIANCE



9" RAINHEAD # 90813



FEATURES

9" rainhead
 Single function
 Swiveling ball joint
 Reduced water-efficient flow: 2 gpm (7.5 L/min)

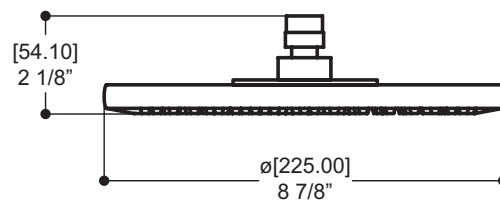
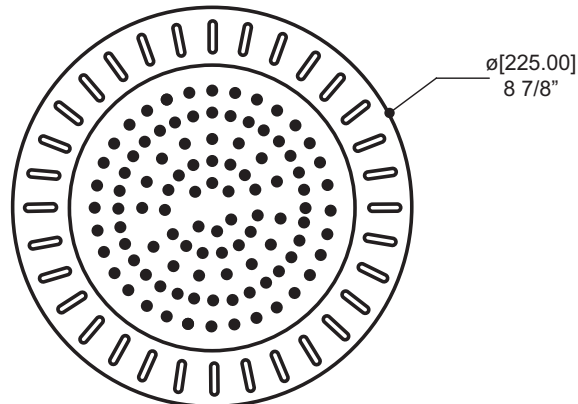
FINISH

Polished chrome (pc)

WARRANTY

limited lifetime warranty on the polished chrome finish. All other components and parts carry a limited five-year warranty.

CODE & COMPLIANCE



ROUND ARM #90748



FEATURES

18" round arm (wall installation)
Solid brass
Round flange
1/2" male water inlet - NPT

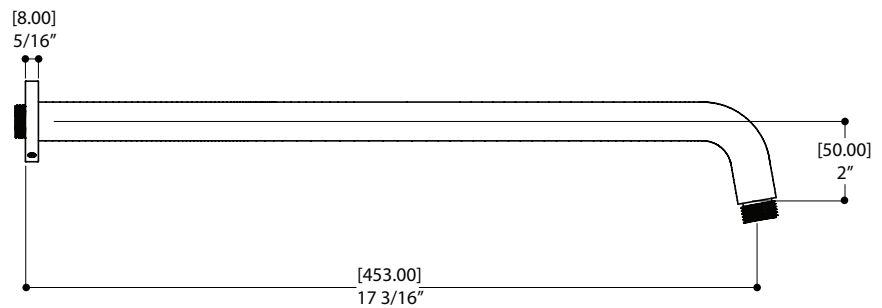
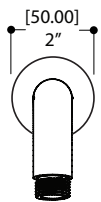
FINISH

Polished chrome (01)
Electro black (41)

WARRANTY

Complete warranty available at <https://alt-aqua.com/warranty/>

CODE & COMPLIANCE





ROUND SHOWER RAIL

90840



FEATURES

- 31.5" stainless steel round rail with adjustable handshower support
- Top pivot position adaptable (up to 29 1/2" CC)
- Triple function round handshower (rain, massage, mist)
- 5' double interlock flexible hose, anti-torsion
- Reduced water-efficient flow: 2 gpm (7.5 L/min)

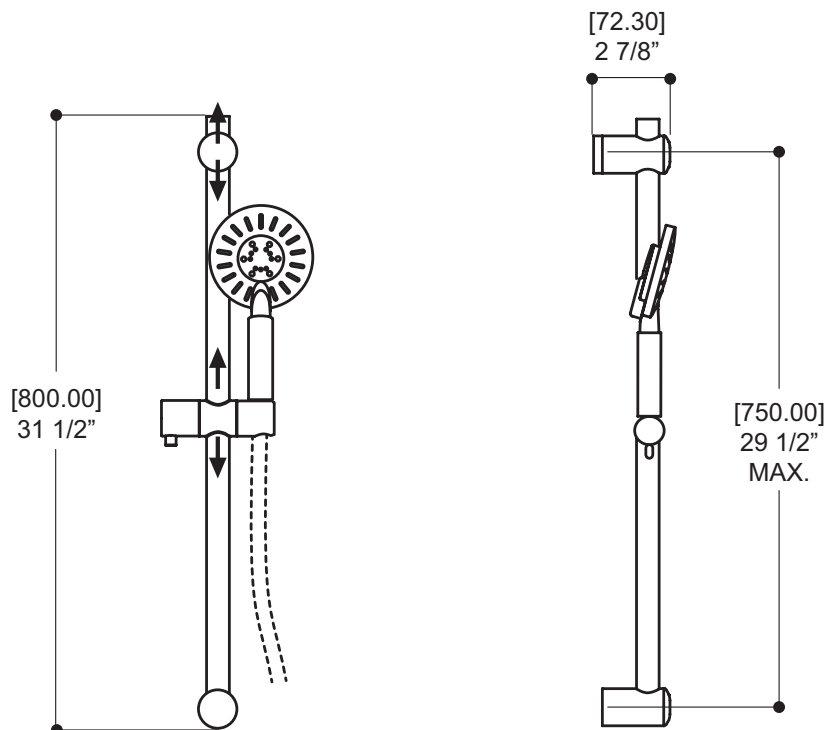
FINISH

Polished chrome (pc)

WARRANTY

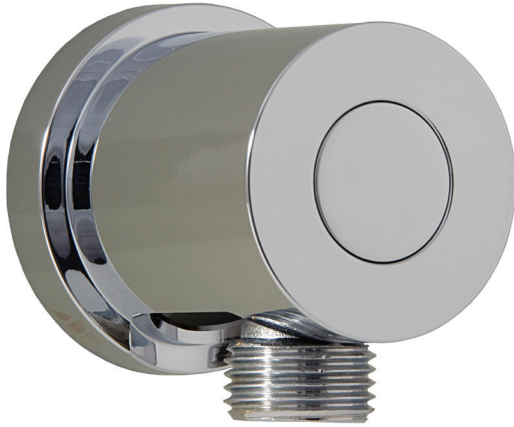
limited lifetime warranty on the polished chrome finish. All other components and parts carry a limited five-year warranty.

CODE & COMPLIANCE



ADJUSTABLE WATERWAY

90734



FEATURES

Innovative 5/8" trim adjustment system to elbow installation
 1/2" female water inlet - NPT

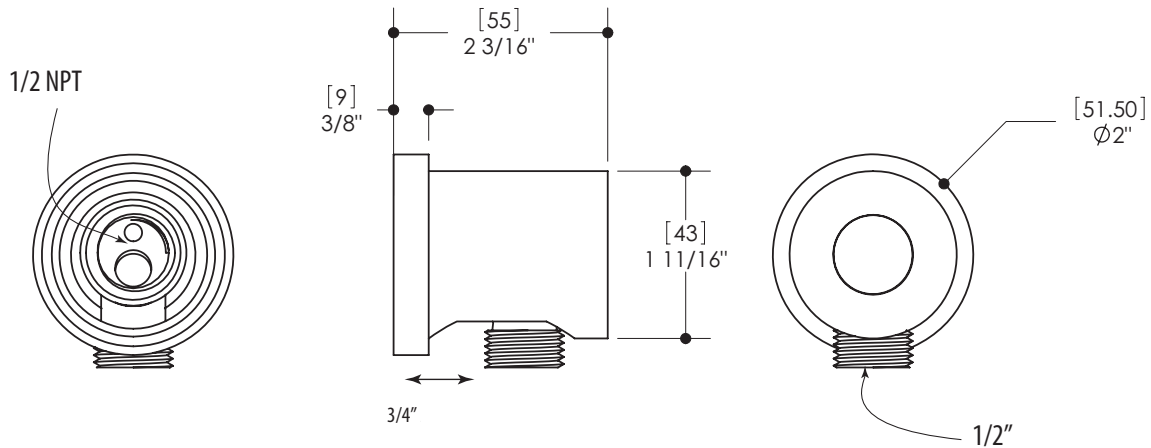
FINISH

Polished chrome (pc)

WARRANTY

limited lifetime warranty on the polished chrome finish. All other components and parts carry a limited five-year warranty.

CODE & COMPLIANCE



AQUABRASS #11132 ROUND TUB SPOUT

ALT PROGETTO
AQUA #90560



FEATURES

Round spout without diverter
Solid brass
1/2" slip-fit inlet

FINISH

Polished chrome (Aquabrace - Alt)
Electro black (Aquabrace - Alt)
Brushed Nickel PVD (Aquabrace)
Brushed Gold (Aquabrace)

Custom finishes available
(ask your local Aquabrace authorized dealer for details)

WARRANTY

Limited lifetime warranty on the polished chrome finish. All other components and parts carry a limited five-year warranty.

CODE & COMPLIANCE

