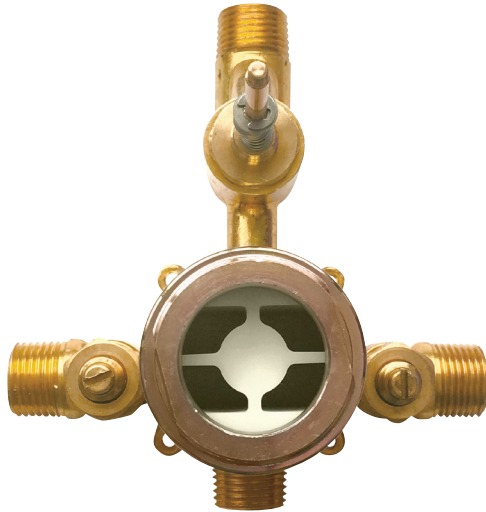


VIA DANTE

Pressure balance tub / shower system

#91716





FEATURES

- Solid brass
- 1/2" male water inlets - NPT/sweat or PEX or WB
- 1/2" male water outlet (on top)- NPT/sweat or PEX or WB
- 1/2" male water outlet (on bottom)- always NPT/sweat Service check valves/stop valves
- Test cap
- Push/pull diverter
- Flow rate: 5gpm (18.9 L/m)

WARRANTY

Limited lifetime warranty on all cartridges and also on the polished chrome finish. All other components and parts carry a limited five-year warranty.

CODE & COMPLIANCE



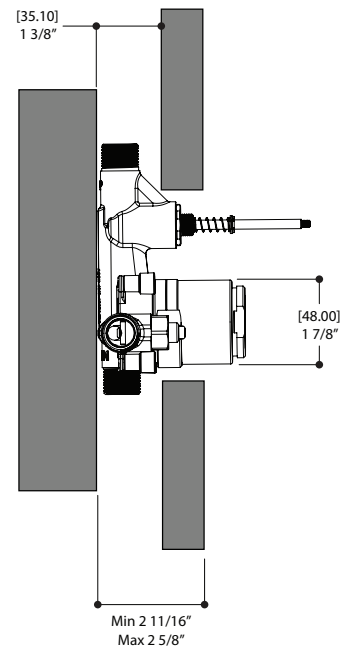
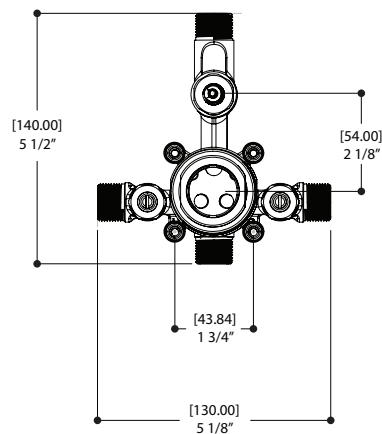
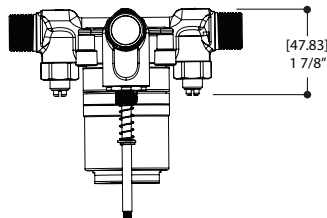
61164 NPT CONNECTION



61166 PEX CONNECTION



61168 WB CONNECTION



VIA DANTE # 70921

pressure balance trim kit for #61164 - #61166 - #61168



FEATURES

- Square trim
- Single control lever
- Ceramic cartridge and handle included
- Push/pull diverter
- Pressure balance valve rough not included

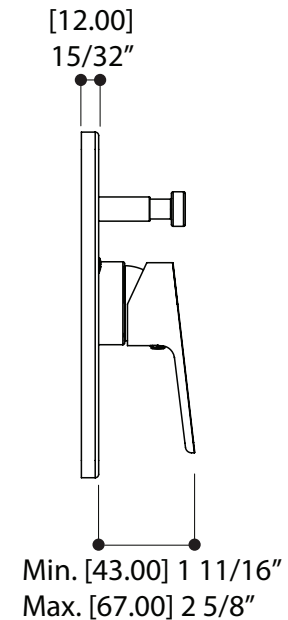
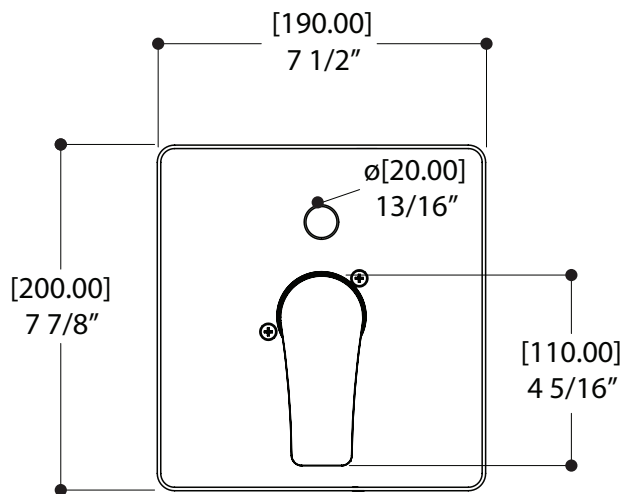
FINISH

Polished chrome (pc)

WARRANTY

Limited lifetime warranty on all cartridges and also on the polished chrome finish. All other components and parts carry a limited five-year warranty.

CODE & COMPLIANCE



ROUND SHOWERHEAD

90811



FEATURES

Triple function round showerhead (rain, massage, mist)
 Swiveling ball joint
 Curved shower arm with round flange
 Reduced water-efficient flow: 2 gpm (7.5 L/min)

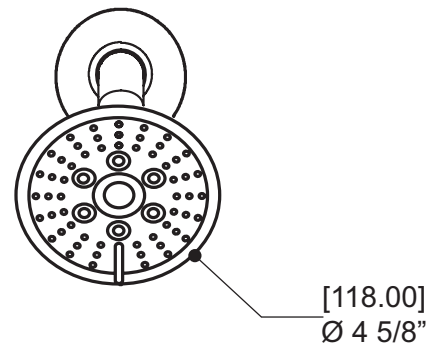
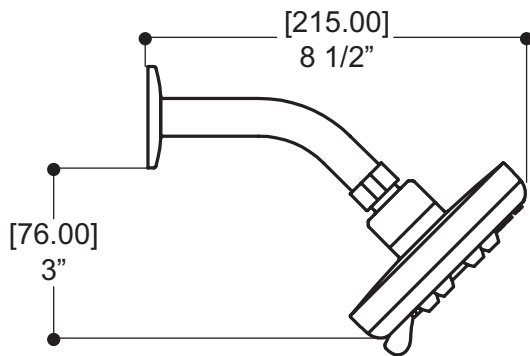
FINISH

Polished chrome (pc)

WARRANTY

limited lifetime warranty on the polished chrome finish. All other components and parts carry a limited five-year warranty.

CODE & COMPLIANCE



ROUND TUB SPOUT # 90870



FEATURES

Round spout without diverter
 Solid brass
 1/2" female inlet - NPT

FINISH

Polished chrome (pc)

WARRANTY

limited lifetime warranty on the polished chrome finish. All other components and parts carry a limited five-year warranty.

CODE & COMPLIANCE

