

# VIA DANTE

## Thermostatic shower system – 3 functions

#91083



## Uniplex T .2.3 1/2" thermostatic valve with diverter 2 or 3 way



### FEATURES

- Solid brass
- German made cartridges (diverter cartridge not included)
- Service check valves / stop valves
- Optional top outlet 1/2" NPT
- Reversible service check valves with / stop valves
- Diverter test cap
- 1/2" female water inlets/outlets - NPT/sweat
- Flow rate: 6.5 gpm (24.6 L/min)

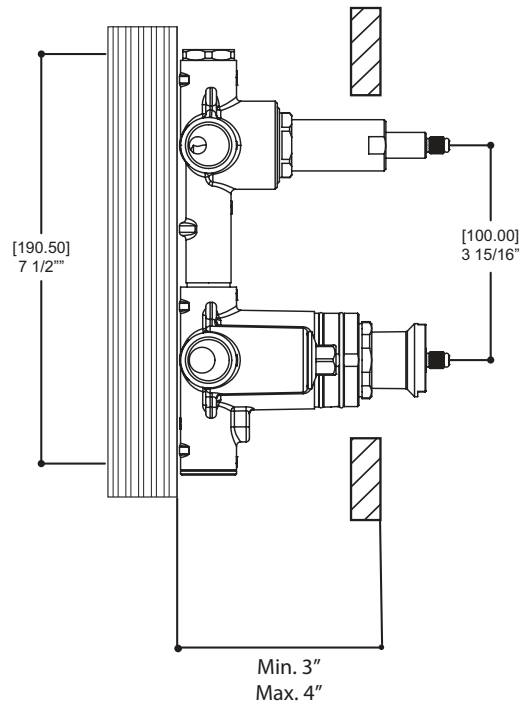
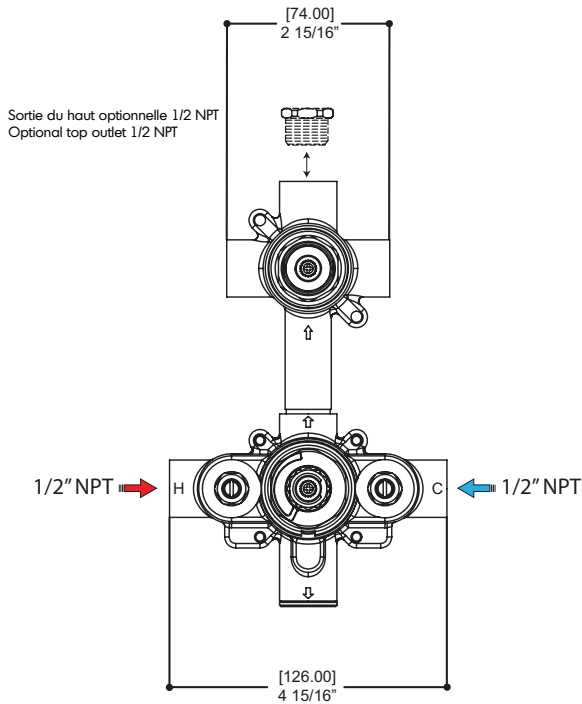
### FINISH

Polished chrome (pc)

### WARRANTY

Limited lifetime warranty on all cartridges and also on the polished chrome finish. All other components and parts carry a limited five-year warranty.

### CODE & COMPLIANCE



# VIA-DANTE

## # 30893-30883

thermostatic valve trim kit with diverter for #90801



### FEATURES

- Rectangular trim
- Single temperature control
- Safety temperature stop, preset at 38 C
- German made diverter cartridge included (3-way shared #30893 or non-shared #30883)
- Handles included
- Thermostatic valve Uniplex T.2.3 not included

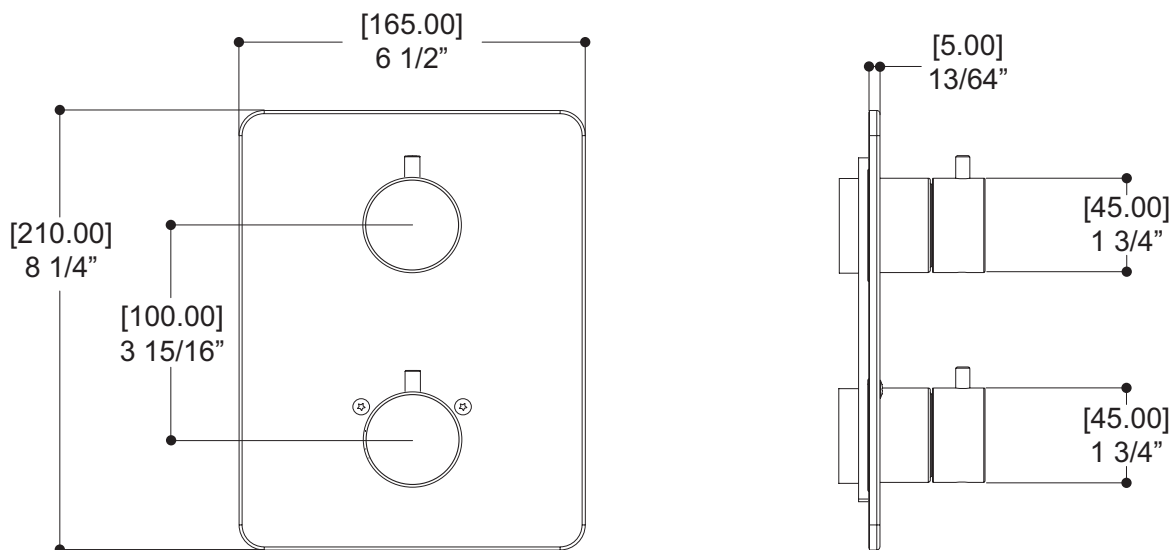
### FINISH

Polished chrome (pc)

### WARRANTY

limited lifetime warranty on all cartridges and also on the polished chrome finish. All other components and parts carry a limited five-year warranty.

### CODE & COMPLIANCE



# ROUND ARM # 90768



## FEATURES

- 16" round arm (wall installation)
- Solid brass
- Round flange
- 1/2" female water inlet - NPT

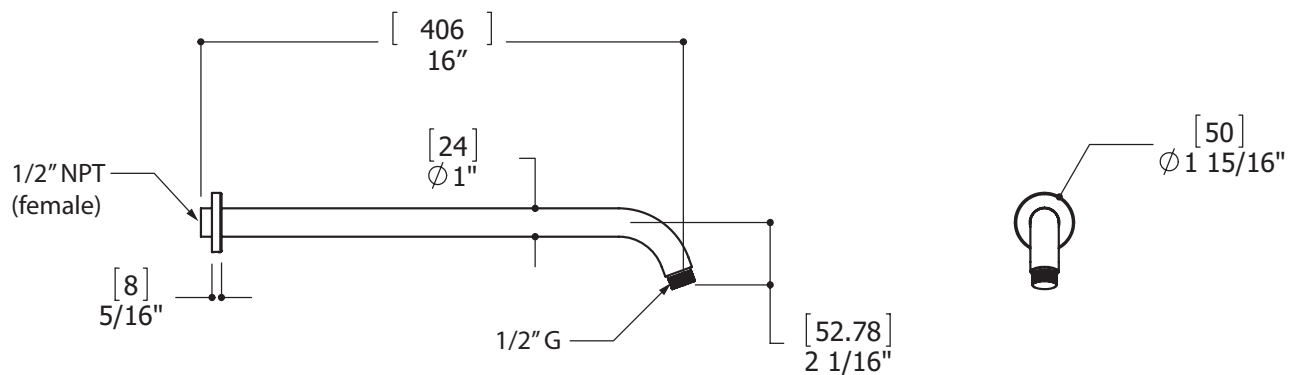
## FINISH

Polished chrome (pc)

## WARRANTY

limited lifetime warranty on the polished chrome finish. All other components and parts carry a limited five-year warranty.

## CODE & COMPLIANCE



# 4" SHOWER ARM

## # 90858



### FEATURES

4" arm (ceiling installation)  
 Solid brass  
**Round flange**  
 1/2" female water inlet - NPT

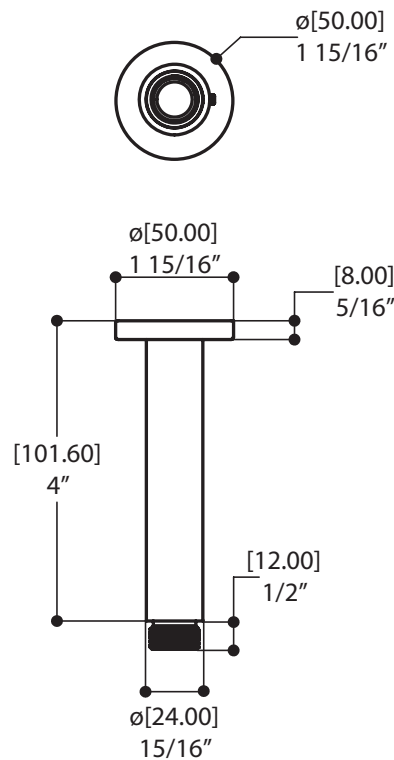
### FINISH

Polished chrome (pc)

### WARRANTY

limited lifetime warranty on the polished chrome finish. All other components and parts carry a limited five-year warranty.

### CODE & COMPLIANCE



# TÊTE DE PLUIE DE 9" # 90813



## CARACTÉRISTIQUES

Tête de pluie ronde, à jet simple  
Joint à rotule pivotante  
Débit réduit économisant l'eau : 1.75 gpm (7.5 L/min)

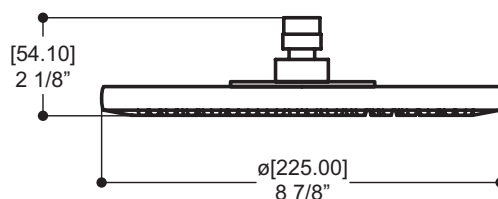
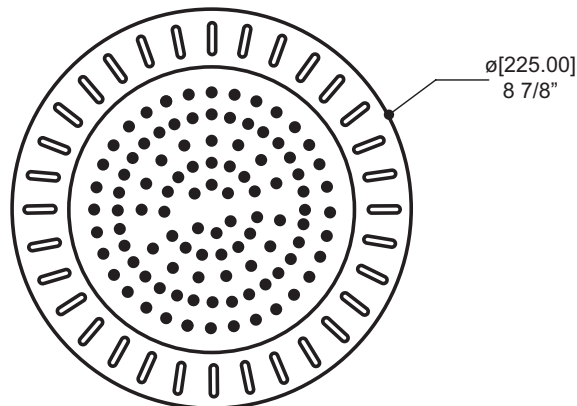
## FINIS

Chrome poli (pc)

## GARANTIE

Garantie limitée à vie sur le fini en chrome poli. Toutes les autres composantes ont une garantie limitée de cinq (5) ans.

## CODE & CONFORMITÉ





# ROUND SHOWER RAIL

## # 90840



### FEATURES

- 31.5" stainless steel round rail with adjustable handshower support
- Top pivot position adaptable (up to 29 1/2" CC)
- Triple function round handshower (rain, massage, mist)
- 5' double interlock flexible hose, anti-torsion
- Reduced water-efficient flow: 1.75 gpm (7.5 L/min)

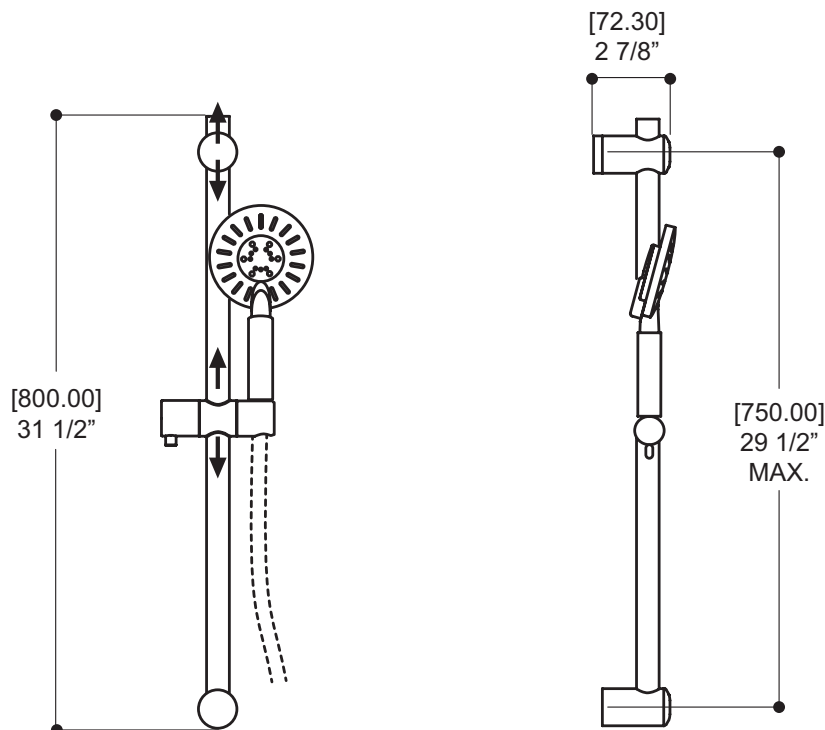
### FINISH

Polished chrome (pc)

### WARRANTY

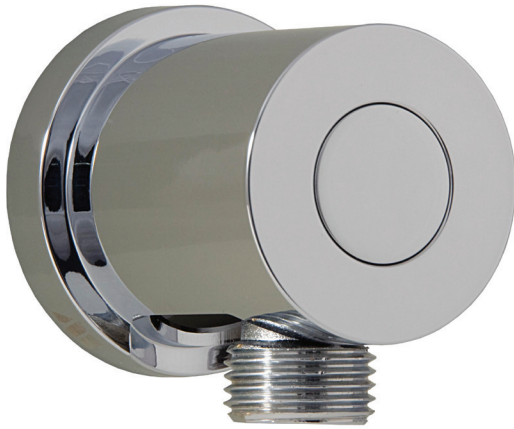
limited lifetime warranty on the polished chrome finish. All other components and parts carry a limited five-year warranty.

### CODE & COMPLIANCE



# ADJUSTABLE WATERWAY

## # 90734



### FEATURES

Innovative 5/8" trim adjustment system to elbow installation  
 1/2" female water inlet - NPT

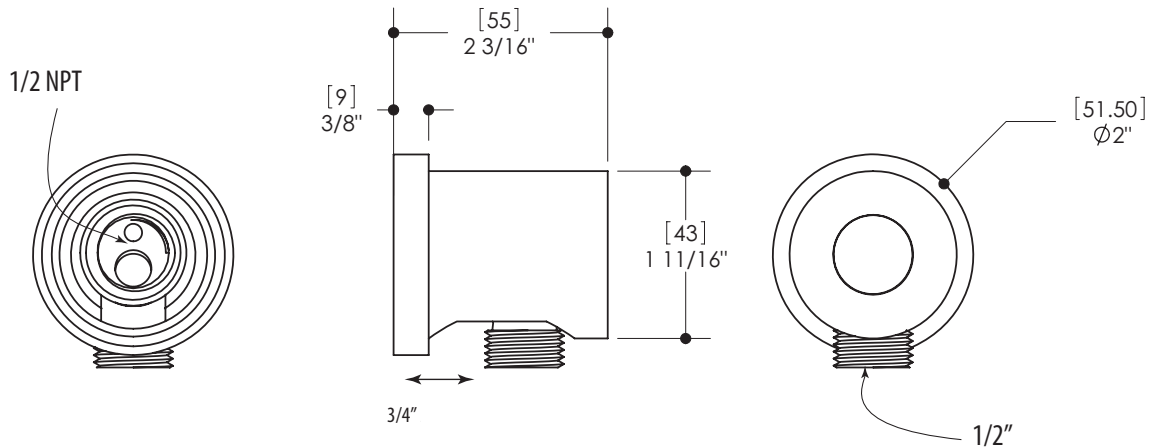
### FINISH

Polished chrome (pc)

### WARRANTY

limited lifetime warranty on the polished chrome finish. All other components and parts carry a limited five-year warranty.

### CODE & COMPLIANCE



# ROUND TUB SPOUT # 90870



## FEATURES

Round spout without diverter  
 Solid brass  
 1/2" female inlet - NPT

## FINISH

Polished chrome (pc)

## WARRANTY

limited lifetime warranty on the polished chrome finish. All other components and parts carry a limited five-year warranty.

## CODE & COMPLIANCE

