

### Features

- For use with the K-18829 2" x 4" in-wall tank and carrier system
- Large flush actuator plate is easily removed, allowing access to inner tank and flush valve for service
- Fingerprint-resistant finish stays clean longer

### Material

- Premium material construction for durability and reliability
- KOHLER finishes resist corrosion and tarnishing

### Installation

- Requires K-8108 Pneumatic Conversion In-Wall Kit (sold separately)

### Recommended Products/Accessories

K-23723 Faucet cleaner



ADA

CSA B651



OBC

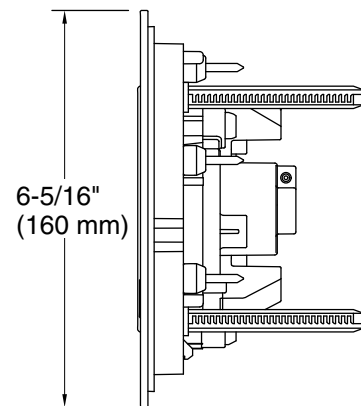
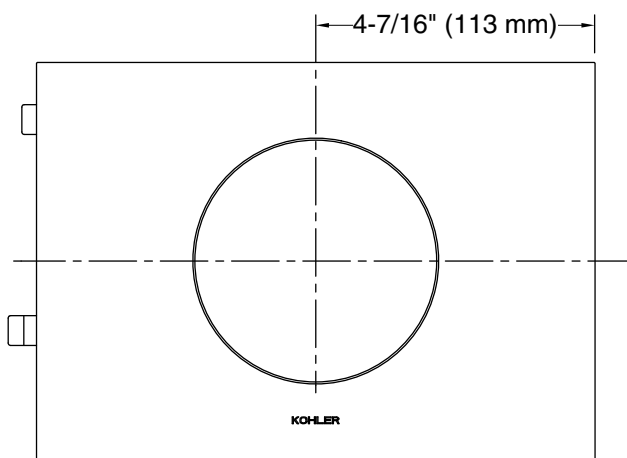
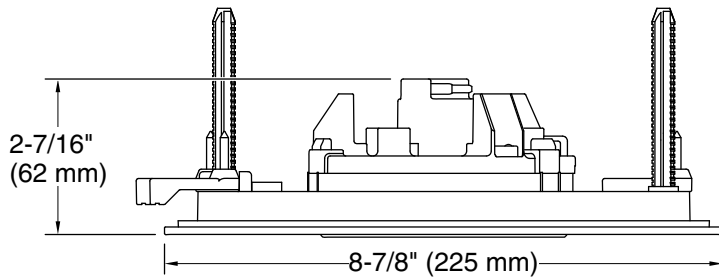
### KOHLER® Toilets and Seats Limited Warranty

See website for detailed warranty information.

### Available Colors/Finishes

*Color tiles intended for reference only.*

Color	Code	Description
	0	White
	7	Black Black™



## Technical Information

All product dimensions are nominal.

Material: Plastic

## Notes

ADA, OBC, CSA B651 compliant when installed to the specific requirements of these regulations.