

## Features

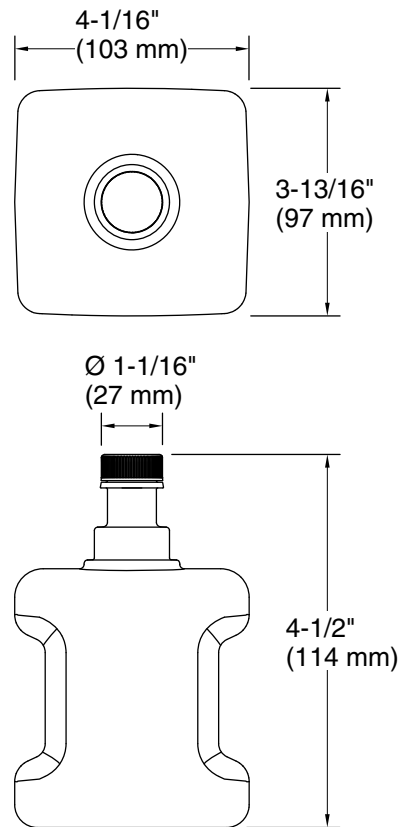
- Kohler Waters Spa Signature Hollyhock scent
- Enriched moisture wash formula with emollients and humectants to help soothe and maintain skin's natural moisture
- Contains aloe vera, vitamin E and amino acids to help nourish the skin
- pH at 25°C is 6.5 Typical
- Viscosity at 25°C is 20 cps
- Single-use refill for 800 mL reservoir ensures utmost hygiene
- For product safety information, refer to the Safety Data Sheet (SDS) on <https://www.kohler.com/en/support/help-and-faq/safety-data-sheets-sds-for-kohler-products>
- Contains six foam soap units/case



**Returnable 45 Days after Purchase**  
See website for detailed warranty information.



Hollyhock-scented single-use foam soap refill – 800 mL  
**K-24879**



**Technical Information**

All product dimensions are nominal.

Material: Plastic