

KOHLER® Faucets Touchless pull-down kitchen faucet w/ soap dispenser

Malleco®

K-R77748-SD

Features

- Response® technology provides reliable touchless on/off operation through a state-of-the-art sensor that responds in 20 milliseconds
- Powered by six AA batteries. AC power adapter is also available (sold separately)
- Single lever handle is simple to use and makes adjusting water temperature easy
- High-arch spout offers superior clearance for filling pots and cleaning
- KOHLER® ceramic disc valves exceed industry longevity standards for a lifetime of durable performance
- Two-function pull-down sprayhead allows you to switch from aerated stream to Sweep® spray
- Sweep® spray features specially angled nozzles that form a wide, powerful blade of water to sweep your dishes and sink clean
- MasterClean® sprayface features an easy-to-clean surface that withstands mineral buildup.
- Includes soap/lotion dispenser
- ProMotion® technology's light, quiet braided hose and swiveling ball joint make the pull-down sprayhead easier and more comfortable to use
- Sweep® spray features specially angled nozzles that form a wide, powerful blade of water to sweep your dishes and sink clean
- 1.5 gpm (5.7 lpm) maximum flow rate at 60 psi (4.14 bar)
- DockNetik® secure docking system locks sprayhead into place when not in use

Material

- Select KOHLER finishes feature ScratchShield® technology which withstands even the toughest daily use
- Premium material construction for durability and reliability

Installation

- Longer mounting shank works with countertops up to 2-1/2 inches thick and is easy to install. Simply hand tighten the mounting ring and secure with a screwdriver.
- Compatible with one-, two-, three-, and four-hole sinks (escutcheon plate included)
- Flexible supply lines and quick-connect fittings simplify installation

Recommended Products/Accessories

- K-R31498 AC power adapter for touchless faucet
- K-23723 Faucet cleaner



ADA CSA B651

Codes/Standards


ASME A112.18.1/CSA B125.1
 NSF/ANSI/CAN 61
 NSF/ANSI/CAN 372
 All applicable US Federal and State material regulations
 DOE - Energy Policy Act 1992
 California Energy Commission (CEC)
 ADA
 ICC/ANSI A117.1
 CSA B651
 IAPMO Certification

KOHLER® Faucet Lifetime Limited Warranty KOHLER® Electronic Faucets, Valves, and Controls Five-Year Limited Warranty

See website for detailed warranty information.

Available Colors/Finishes

Color tiles intended for reference only.

Color	Code	Description
	VS	Vibrant® Stainless
	BL	Matte Black

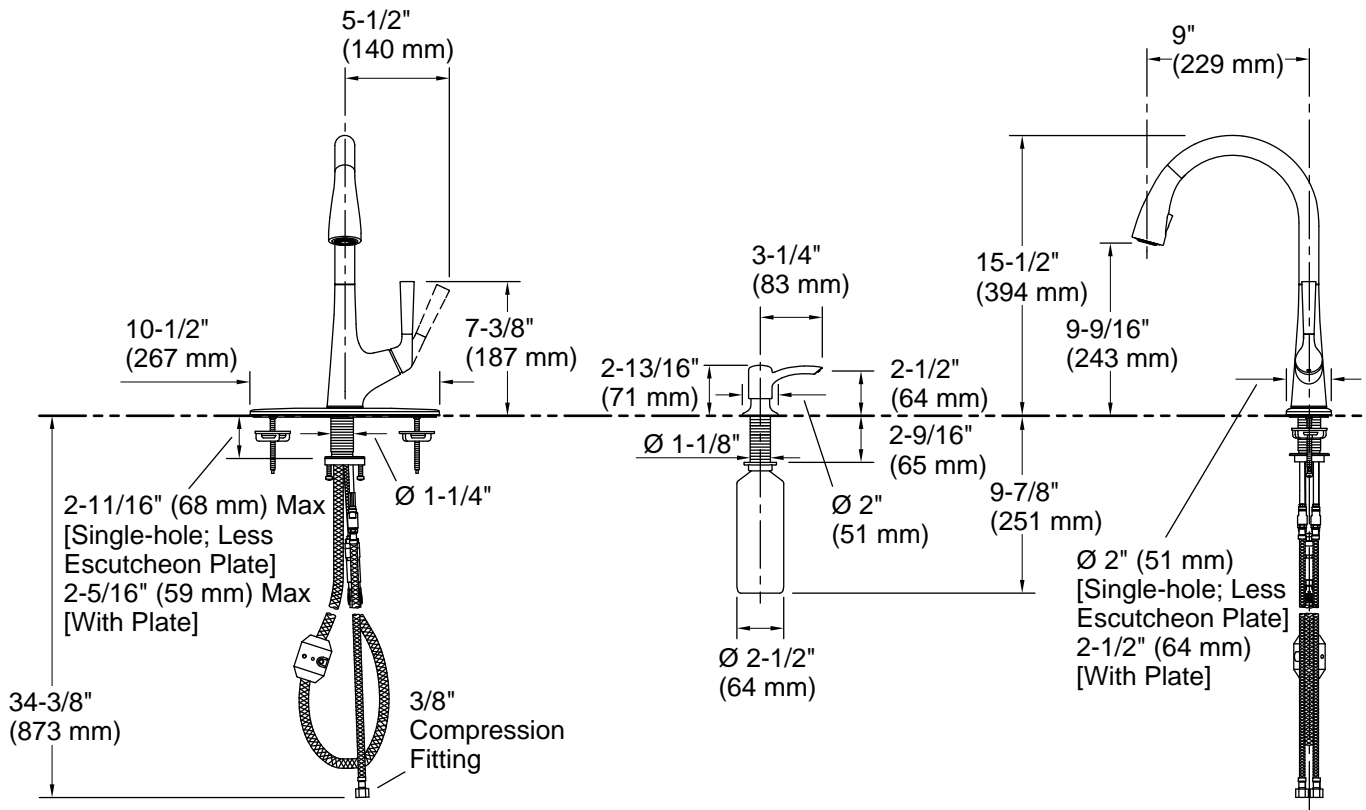
1-800-4KOHLER (1-800-456-4537)

Kohler Co. reserves the right to make revisions without notice to product specifications.

For the most current Specification Sheet, go to www.kohler.com USA or www.kohler.ca Canada

12-11-2024 21:24 - US/CA

THE BOLD LOOK
OF **KOHLER®**



Technical Information

All product dimensions are nominal.

Faucet:

Flow rate: 1.5 gal/min (5.7 l/min)

Drain included: No

Spout:

Spout reach: 9" (229 mm)

Handshower:

Rated maximum flow: 0 gal/min (0 l/min)

Notes

Install this product according to the installation instructions.

ADA compliant for faucet handles only.

ADA compliant for faucet handles only

ADA, CSA B651 compliant when installed to the specific requirements of these regulations.