

# ModulR 6032 (With Armrests) Acrylic Drop-in Bathtub

**Model number:**

410023-000-001-000

**Dimensions:** 59.625" x 31.875" x 23"

**Installation:** Drop-in

**Material:** Acrylic



## Standard Features:

- Two-piece rectangular bathtub with sleek and refined look
- 2 interior types available (with or without armrests)
- Drop-in or alcove installation with integrated tiling flange (IF)
- Ample deck space for faucet installation
- Above-the-Floor Rough (AFR)
- Optional apron with integrated toe-kick for alcove installation only

## Standard Colors:



White

## Certifications

MAAX products adhere to one or more of the following certifications:



# MAAX

# ModulR 6032 (With Armrests) Acrylic Drop-in Bathtub

**Model number:**

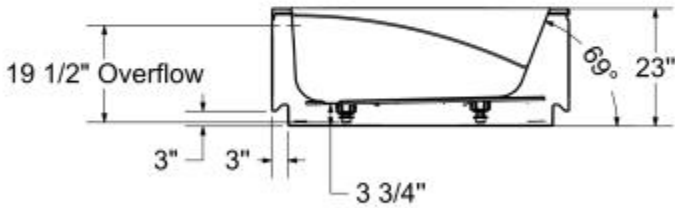
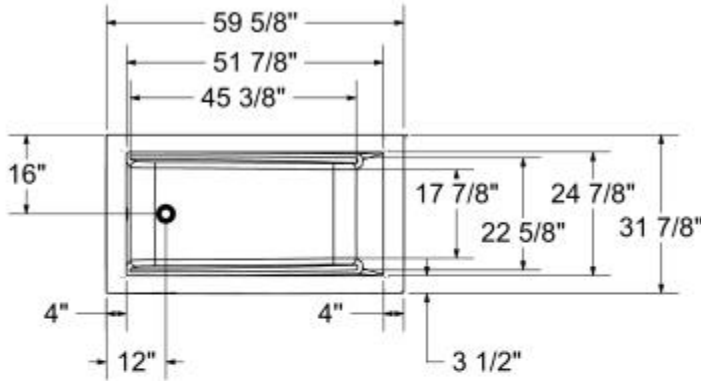
410023-000-001-000

**Dimensions:** 59.625" x 31.875" x 23"

**Installation:** Drop-in

**Material:** Acrylic

ModulR BATHTUB: 60X32 WITH ARMREST



This technical drawing is universal for all ModulR Tub configurations. (Left/Right Corner & Wall-mounted)

Integrated tiling flange: 1" height x 3/8" thick (not shown)  
Tiling flange position is determined by chosen configuration.

All dimensions are approximate. Structure measurements must be verified against the unit to ensure proper fit.

## Dimensions

59 3/4 x 32 x 23 In.  
(1514 x 810 x 584 mm)

## Water Capacity

58 gallons - 218 liters

## Weight

75 lbs - 34 kg

## Bathing Well

51 3/4 In. x 25 In.  
(1314 mm x 632 mm)

## Deep Sump Height

18.375 In. - 467 mm

## Deck Width

3.5 In. - 89 mm

## Drain location:

End

Project:

Contractor:

Representative:

Date:

Tel:

Notes:

# MAAX