

## Features

- One-piece wall-hung toilet
- Compact elongated bowl offers added comfort while occupying the same space as a round-front bowl
- 2-1/8" (54 mm) fully glazed trapway
- Fully skirted trapway simplifies cleaning
- Quiet-Close™ elongated lid and seat prevents slamming
- Coordinates with other products in the Veil collection
- Bowl and seat only; requires KOHLER® in-wall tank and carrier system, and dual-flush actuator (sold separately)



## Installation

- Bowl can be mounted anywhere between 15-3/8" – 28-1/2" (391 – 724 mm) from floor to bowl rim, depending on in-wall tank used

## Required Products/Accessories

K-6284 2" x 6" in-wall tank and carrier system

or

K-5413 Flush Actuator Plate

or

K-8857 Flush Actuator Plate

or

K-75890 Flush Actuator Plate

## Recommended Products/Accessories

K-23726 Drain treatment



## Codes/Standards

ASME A112.19.2/CSA B45.1  
 ASME A112.19.14  
 DOE - Energy Policy Act 1992  
 EPA WaterSense®  
 California Energy Commission (CEC)  
 ADA  
 ICC/ANSI A117.1  
 CSA B651  
 OBC  
 IAPMO Certification

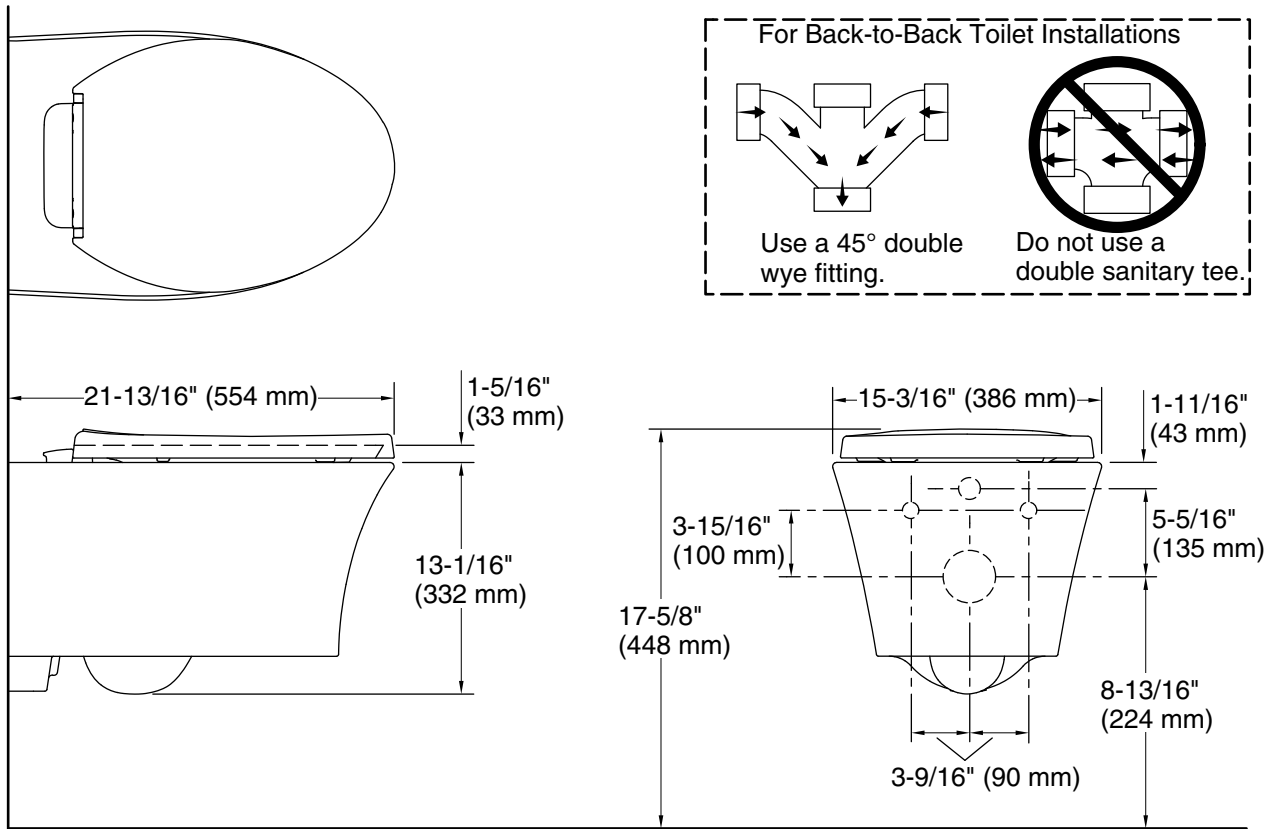
## KOHLER® Toilets and Seats Limited Warranty

See website for detailed warranty information.

## Available Colors/Finishes

*Color tiles intended for reference only.*

Color	Code	Description
	0	White
	7	Black Black™



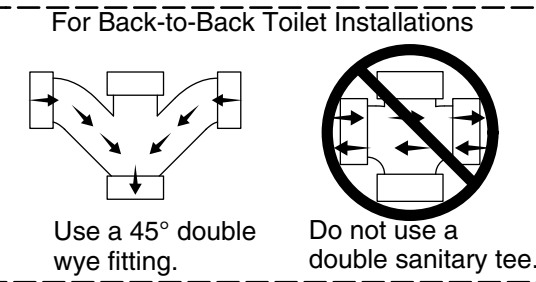
### Technical Information

All product dimensions are nominal.

Toilet type:	Wall-hung
Waste Outlet:	Wall
Bowl shape:	Elongated
Flush type:	Washdown
Trap passageway:	3" (76 mm)
Water surface size:	4-1/16" x 5-3/16" (103 mm x 132 mm)
Rim to water surface:	8-1/4" (210 mm)
Seat-mounting holes:	5-1/2" (140 mm)

### Fixture Supply Requirements

Min static pressure:	20 psi (137.9 kPa)
Max static pressure:	80 psi (551.6 kPa)
Min flowing pressure:	15 psi (103.4 kPa)
Min flow rate:	1 gpm (3.8 lpm)



### Notes

Install this product according to the installation instructions.

ADA, OBC, CSA B651 compliant when installed to the specific requirements of these regulations.

Plumbing codes may require elongated toilets and elongated, open-front seats in public bathrooms.

Accessibility standards may require controls to be located on the open side of the toilet.