

Finoris
Single-Hole Faucet 260, 1.2 GPM
 Finish: **brushed nickel** Part no. : **76070821**



Description

Features

- Handle variant: Lever
- Spray modes: Laminar spray
- Flow: 1.2 GPM (4.5 L/Min)
- Ceramic cartridge

Technology



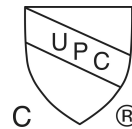
Design awards



reddot winner 2021



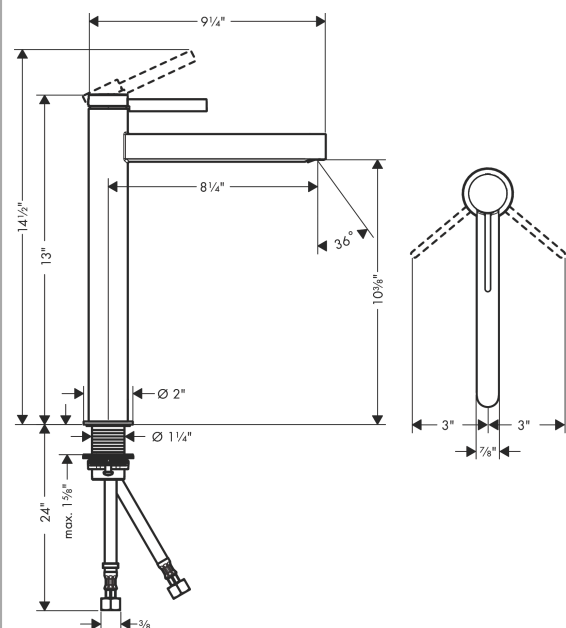
Compliance / Sustainability



Product image



Scale drawing

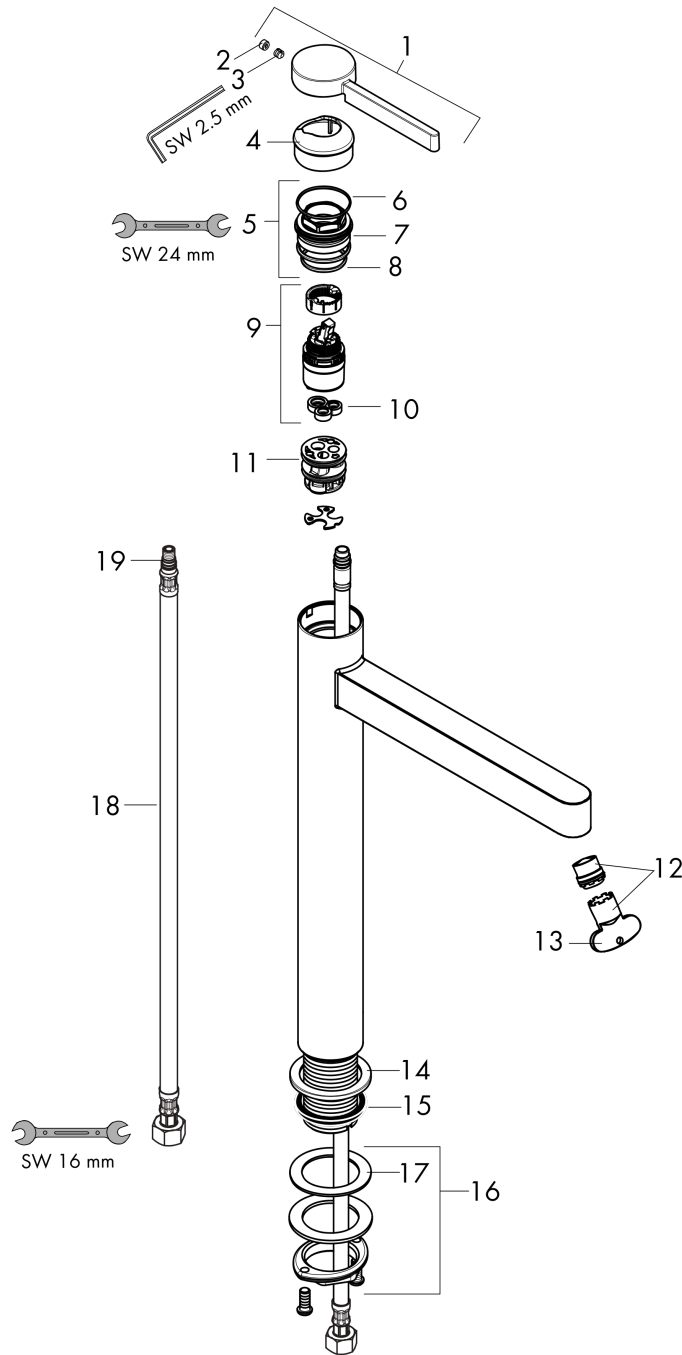


Finoris
Single-Hole Faucet 260, 1.2 GPM
 Finish: **brushed nickel** Part no. : **76070821**



Exploded drawing

Year of production: >11/21



Finoris
Single-Hole Faucet 260, 1.2 GPM
 Finish: **brushed nickel** Part no. : **76070821**



Spare parts list

Year of production: >11/21

Pos.	Description	Part no.	PC	PU
2	screw cover	93735460	0	1
3	hollow set screw M5x5	98446000	0	1
4	flange	93737820	0	1
5	nut	92926000	0	1
6	O-ring 30x1,5	98433000	0	1
7	O-ring 29x2	98391000	0	1
8	O-ring 25x1,5	98146000	0	1
9	cartridge, assy	93760000	0	1
10	seal	93383000	0	1
11	adapter for cartridge	98866000	0	1
12	spray former	93973000	0	1
13	special tool	98987000	0	1
14	escutcheon	94265820	0	1
15	flat seal	98749000	0	1
16	fixing set (Ø 32)	13961000	0	1
17	lever collar	97548000	0	1
18	connection hose 35½" M8x0,75 3/8"	94267001	0	1
19	O-ring 6,6x1,6	93019000	0	1