



Mariposa®
66" x 36" alcove whirlpool bath with Bask® heated surface, left drain
K-1224-LAW

Features

- Bask® heated surface creates spa-like relaxation with soothing warmth on your back, shoulders, and neck
- Three heat settings allow you to customize the surface temperature
- Single-speed whirlpool offers performance and value, with 5 fully adjustable jets
- Hydromassage flow and direction can be controlled at each jet
- Hourglass shape adds style and elegance to your bathroom
- Integral apron
- Integral flange helps prevent water from seeping behind wall and simplifies alcove installation
- Textured bottom surface

Material

- Acrylic

Hydrotherapy

- Whirlpool

Installation

- Left drain
- Alcove

Required Products/Accessories

- K-T37391 Rotary-turn bath drain trim
- K-T37392 Rotary-turn bath drain trim

or

- K-37383 Rough-in cable bath drain, PVC, 30" cable with tubing
- K-78438 30" cable bath drain

Recommended Products/Accessories

- K-7213 27" Cable Bath Drain
- K-7214 27" Cable Bath Drain
- K-9695 5-Jet Trim Kit
- K-23726 Drain treatment
- K-23732 Tub & shower cleaner
- K-31796 Above-the-floor bath drain kit
- K-31798 Bath drain kit



Codes/Standards

- ASME A112.19.7/CSA B45.10
- CSA B45.5/IAPMO Z124
- ASTM E162
- ASTM E662
- UL 1795
- IAPMO Certification
- UL Listed



KOHLER® Plastic Baths and Shower Bases Lifetime Limited Warranty
KOHLER® Hydrotherapy Components Five-Year Limited Warranty

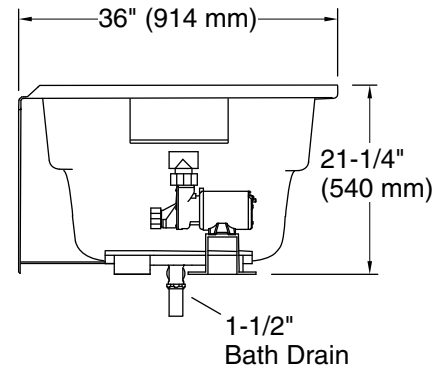
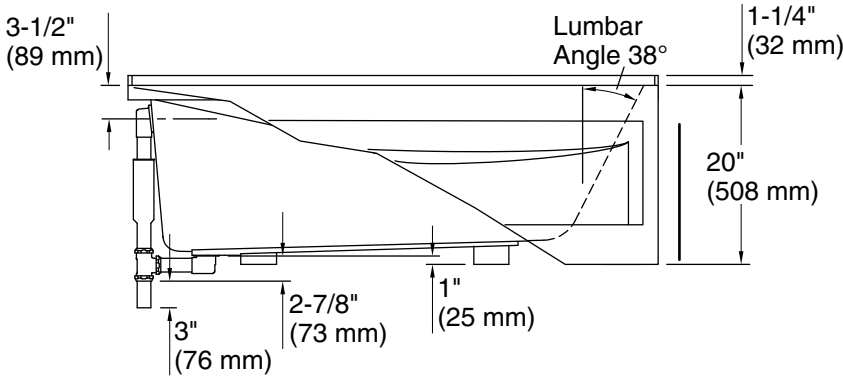
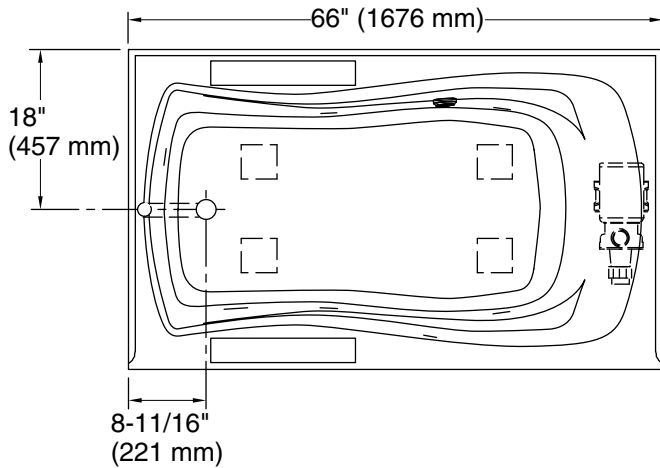
See website for detailed warranty information.

Available Colors/Finishes

Color tiles intended for reference only.

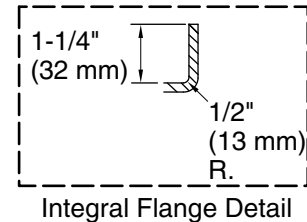
Color Code Description

	0	White
	96	Biscuit



No change in measurements if connected with drain illustrated. (K-7161-AF)

☐ Recommended Faucet Location



Required Electrical Service

One dedicated circuit required, protected with Class A Ground-Fault Circuit-Interrupter (GFCI). Outside North America, this device may be known as a Residual Current Device (RCD).

Pump, Heated 120 V, 15 A, 60 Hz
Surface:

Technical Information

All product dimensions are nominal.

Drain location: Left

Basin area, bottom: 48" x 24" (1219 mm x 610 mm)

Basin area, top: 59" x 30" (1499 mm x 762 mm)

Weight: 116 lbs (52.6 kg)

Minimum floor load: 42 lbs/ft² (205.1 kg/m²)

Water depth: 14" (356 mm)

Water capacity: 67 gal (253.6 L)

Electrical component rating: Pump: 120 V, 7 A, 60 Hz
Heated Surface: 120 V, 0.5 A, 60 Hz, 65 W

Pump speed: Single

Notes

Measure your actual product for rough-in details.

Install this product according to the installation instructions.

The hot water supply should be 70% of the capacity of the bath or greater. Installations will vary.

If installing a rim-mount faucet, make sure there is no interference above or below the deck before drilling any holes.