

KAPFENBERG
WALL MOUNT TUB FILLER

BF.KG.2200

Description

- Wall mount tub filler with 15" x 5½" face plate and hand shower
- Solid brass construction
- ½" female NPT connection

Flow Rate

- Handheld: 1.9 gpm | 7.2 lpm | 60 psi
- Tub Spout: 5.8 gpm | 22 lpm | 60 psi

Cartridge

- CE.1440.PB - ceramic disk cartridge
- CE.1700.L - ceramic diverter cartridge

Available Finishes

- Chrome (CC)
- Brushed Nickel (BN)
- Matte Black (MB)
- Brushed Gold (BG)

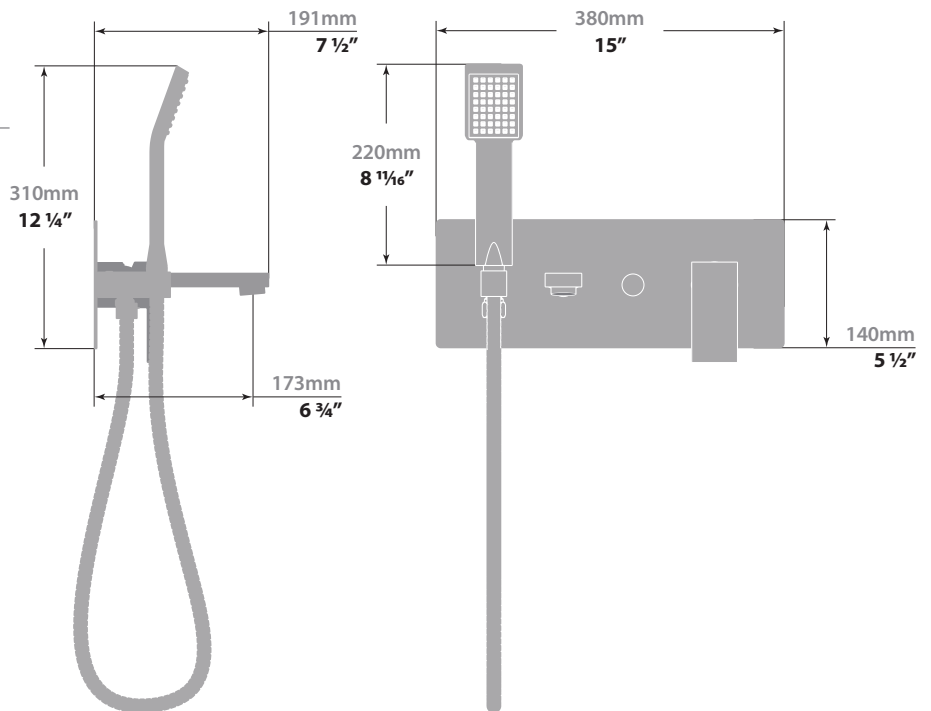
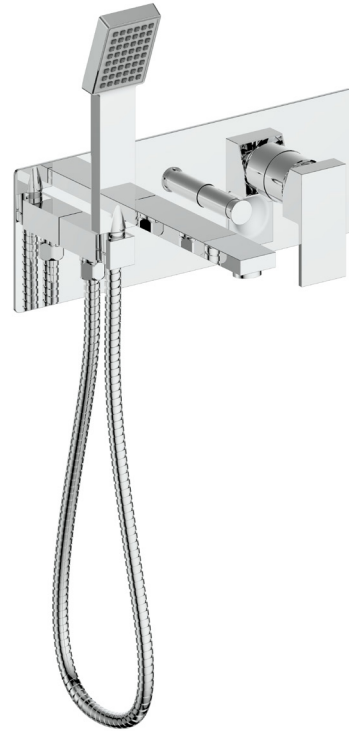
(Model Pictured: Chrome)

Codes / Standards

- Uniform Plumbing Code (UPC®)
- ASME A112.18.1/CSA B125.1
- ASSE 1016

Warranty

- Limited lifetime warranty against all manufacturing defects to the original consumer purchaser (see full warranty for more details)



ROUGH-IN FOR WALL MOUNT TUB FILLER WITH ONE HANDLE

VE.2200

Description

- Solid brass construction
- ½" female NPT connection
- Full brass 15" x 5½" face plate

Flow Rate

- Handheld: 1.9 gpm / 7.2 lpm / 60 psi
- Tub spout: 5.8 gpm / 22 lpm / 60 psi

Cartridge

- CE.1440.PB - Ceramic disk cartridge
- CE.1922.DR - Ceramic diverter cartridge

Codes / Standards

- Uniform Plumbing Code (UPC®)
- ASME A112.18.1/CSA B125.1

Warranty

- Limited lifetime warranty against all manufacturing defects to the original consumer purchaser (see full warranty for more details)

