

NIVEAU
WALL MOUNT
LAVATORY FAUCET

BF.NU.1410

Description

- Wall mount lavatory faucet with 7" x 2 3/4" face plate
- Solid brass construction
- 1/2" female NPT connection
- Adjustable aerator

Flow Rate

- 1.5 gpm | 5.7 lpm | 60 psi

Cartridge

- CE.1715.P - ceramic disk cartridge

Available Finishes

- Chrome (CC)
- Matte Black (MB)

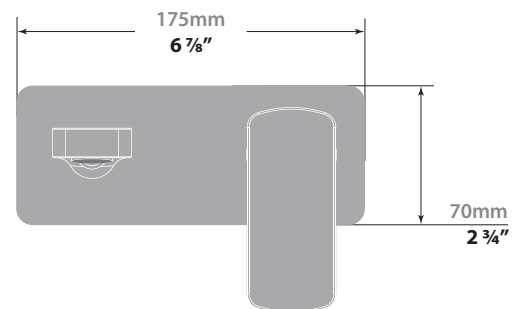
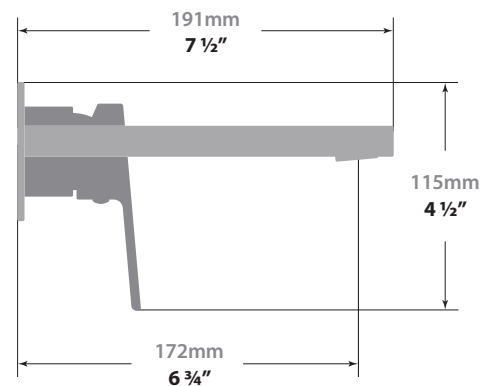
(Model Pictured: Matte Black)

Codes / Standards

- Uniform Plumbing Code (UPC®)
- ASME A112.18.1/CSA B125.1
- NSF 372
- NSF/ANSI 61

Warranty

- Limited lifetime warranty against all manufacturing defects to the original consumer purchaser (see full warranty for more details)



Change the direction of the flow with the tip of your finger.

ROUGH-IN FOR WALL MOUNT LAVATORY FAUCET WITH SINGLE HANDLE

VE.1400

Description

- Solid brass construction
- ½" female NPT connection

Flow Rate

- 1.5 gpm / 5.7 lpm / 60 psi

Cartridge

- CE.1715.P - ceramic disk cartridge

Codes / Standards

- Uniform Plumbing Code (UPC®)
- ASME A112.18.1/CSA B125.1

Warranty

- Limited lifetime warranty against all manufacturing defects to the original consumer purchaser (see full warranty for more details)

