

KAPFENBERG

WALL MOUNT LAVATORY FAUCET

BF.KG.1410

Description

- Wall mount lavatory faucet with 7" x 2³/₄" face plate
- Solid brass construction
- 1/2" female NPT connection

Flow Rate

- 1.5 gpm | 5.7 lpm | 60 psi

Cartridge

- CE.1715.P - ceramic disk cartridge

Available Finishes

- Chrome (CC)
- Brushed Nickel (BN)
- Matte Black (MB)
- Brushed Gold (BG)

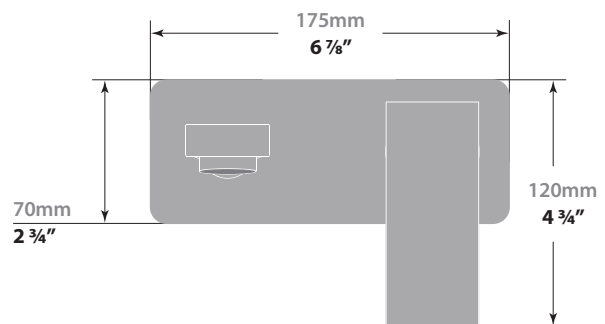
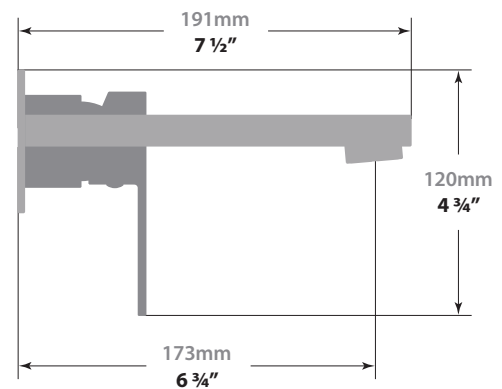
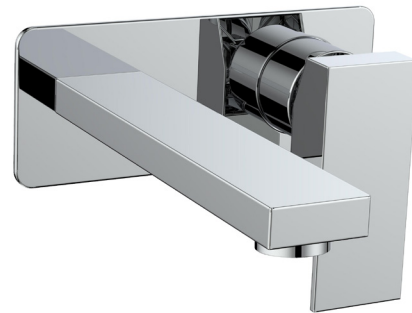
(Model Pictured: Chrome)

Codes / Standards

- Uniform Plumbing Code (UPC®)
- ASME A112.18.1/CSA B125.1
- NSF 372
- NSF/ANSI 61

Warranty

- Limited lifetime warranty against all manufacturing defects to the original consumer purchaser (see full warranty for more details)



ROUGH-IN FOR WALL MOUNT LAVATORY FAUCET WITH SINGLE HANDLE

VE.1400

Description

- Solid brass construction
- ½" female NPT connection

Flow Rate

- 1.5 gpm / 5.7 lpm / 60 psi

Cartridge

- CE.1715.P - ceramic disk cartridge

Codes / Standards

- Uniform Plumbing Code (UPC®)
- ASME A112.18.1/CSA B125.1

Warranty

- Limited lifetime warranty against all manufacturing defects to the original consumer purchaser (see full warranty for more details)

