

## WÖRGL

### 3-WAY THERMOSTATIC SHOWER SYSTEM

SET.WL.320.310

#### Components Included

---

- **VE.320** - Thermostatic valve with integrated 3-way diverter
- **VT.WL.320** - Thermostatic valve (VE.320) and trim with ceramic disk cartridge and 3-way diverter
- **SH.02.0808** - 8" round stainless steel shower head
- **WA.02.16** - 16" wall mount shower arm with ½" female NPT connection
- **BH.03.03** - 31" sliding shower bar with hose and 3 function hand shower (HS.03.03)
- **EC.02.01** - Round brass elbow connector with ½" female NPT connection
- **TS.02.07** - 7½" brass tub spout with ½" female NPT connection

#### Available Finishes

---

- Chrome (CC)
- Brushed Nickel (BN)
- Matte Black (MB)
- Brushed Gold (BG)

(Model Pictured: Chrome)

#### Codes / Standards

---

- Uniform Plumbing Code (UPC®)
- ASME A112.18.1/CSA B125.1
- ASSE 1016

#### Warranty

---

- Valve & cartridge - Limited lifetime warranty
- Components - Limited lifetime warranty  
(see full warranty for details)

Please note that this shower kit is also available with a 4" ceiling arm (**CA.02.04**) & 8" ceiling arm (**CA.02.08**)

4" ceiling arm Configuration - **SET.WL.320.314**  
8" ceiling arm Configuration - **SET.WL.320.318**



### WÖRGL

### 3-WAY THERMOSTATIC VALVE & TRIM

VT.WL.320

#### Description

- **VE.320** - 1/2" thermostatic valve with 3-way diverter
- **TM.WL.320** - Trim for 3-way thermostatic valve
- 5 positions

#### Flow Rate

- 6.2 gpm | 23.4 lpm | 60 psi

#### Cartridge

- CE.1401.TT - cartridge
- CE.1408.DR - diverter

#### Available Finishes

- Chrome (CC)
- Brushed Nickel (BN)
- Matte Black (MB)
- Brushed Gold (BG)

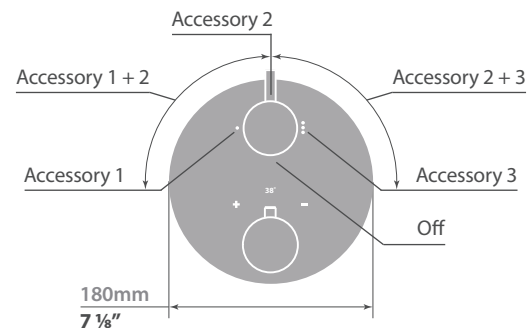
(Model Pictured: Chrome)

#### Codes / Standards

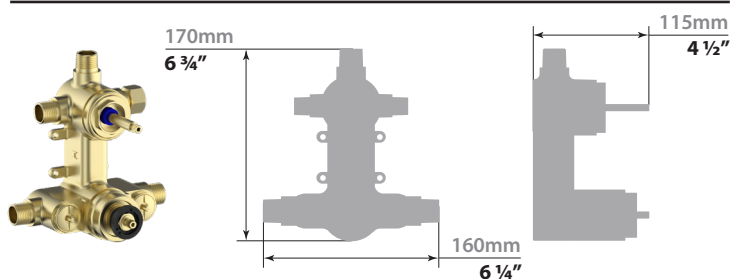
- Uniform Plumbing Code (UPC®)
- ASME A112.18.1/CSA B125.1
- ASSE 1016

#### Warranty

- Limited lifetime warranty (see full warranty for details)



#### VE.320 - 3-Way Thermostatic Valve



### 3-WAY THERMOSTATIC VALVE

VE.320

#### Description

- Valve with thermostatic cartridge and 3-way diverter
- ½" male NPT connections

#### Flow Rate

- 6.2 gpm | 23.4 lpm | 60 psi

#### Cartridge

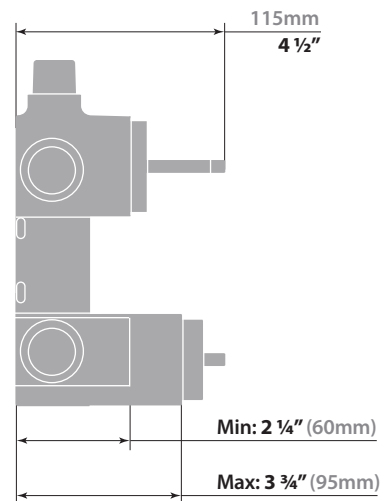
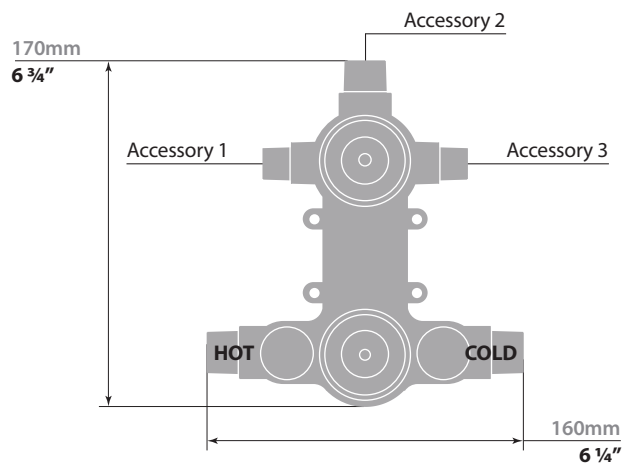
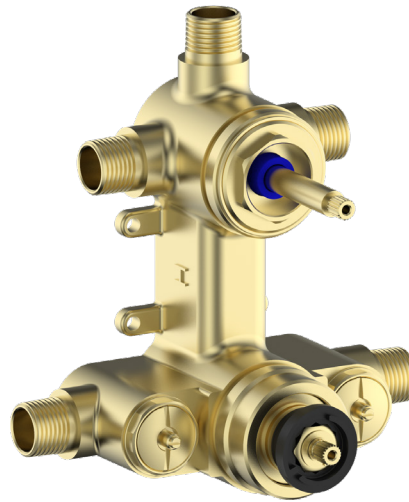
- CE.1401.TT cartridge
- CE.1408.DR diverter

#### Codes / Standards

- Uniform Plumbing Code (UPC®)
- ASME A112.18.1/CSA B125.1
- ASSE 1016

#### Warranty

- Limited lifetime warranty (see full warranty for more details)



### 16" WALL ARM

WA.02.16

#### Description

- 16" wall mount shower arm with 1/2" female NPT connection
- Round pipe with round escutcheon plate

#### Available Finishes

- Chrome (CC)
- Brushed Nickel (BN)
- Glossy White / Chrome (CW)
- Matte Black (MB)
- Brushed Gold (BG)

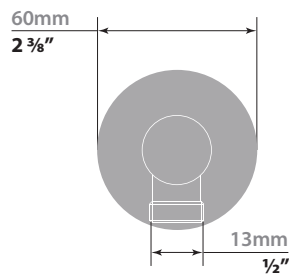
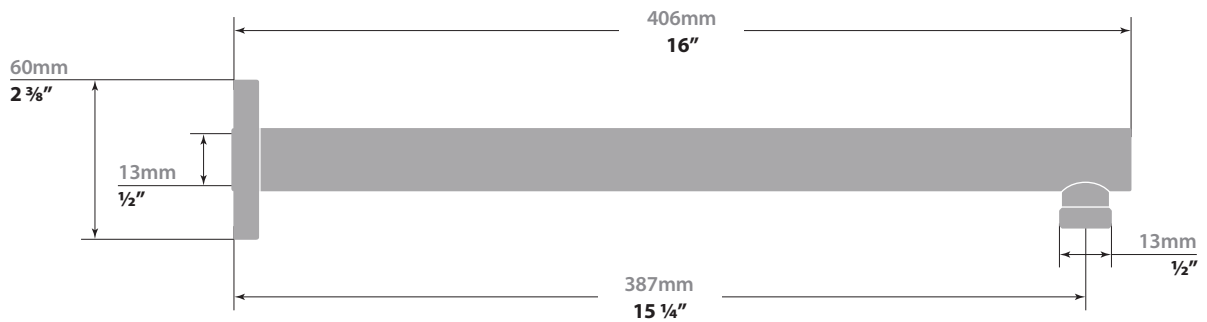
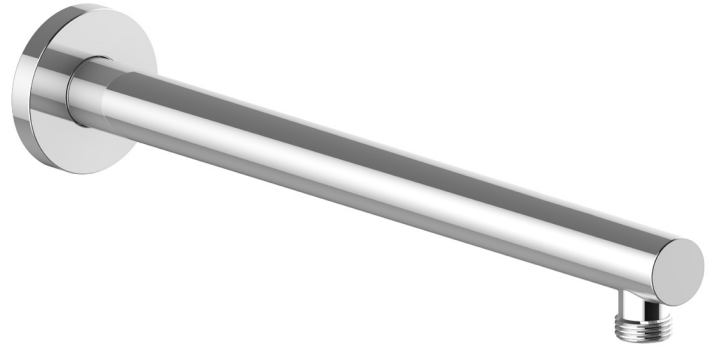
(Model Pictured: Chrome)

#### Codes / Standards

- Uniform Plumbing Code (UPC®)
- ASME A112.18.1/CSA B125.1

#### Warranty

- Limited lifetime warranty (see full warranty for details)



### 8" ROUND SHOWER HEAD

SH.02.0808

#### Description

- 8" round stainless steel shower head
- Anti-limescale technology

#### Flow Rate

- 2 gpm | 7.6 lpm | 60 psi

#### Available Finishes

- Chrome (CC)
- Brushed Nickel (BN)
- Matte Black (MB)
- Brushed Gold (BG)

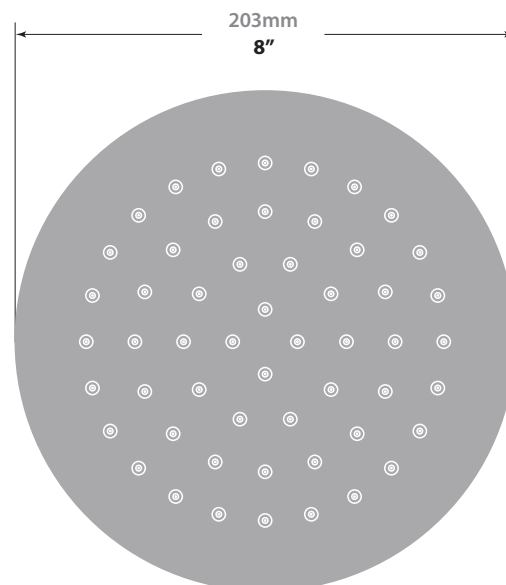
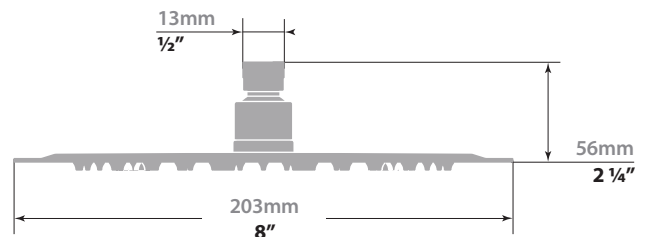
(Model Pictured: Chrome)

#### Codes / Standards

- Uniform Plumbing Code (UPC®)
- ASME A112.18.1/CSA B125.1

#### Warranty

- Limited lifetime warranty  
(see full warranty for details)



# WÖRGL

## SLIDING SHOWER BAR WITH HANDSHOWER

BH.03.03

### Description

- SB.02.31 - 31" sliding shower bar
- HE.150 - 59" hose
- HS.03.03 - 3-function hand shower

### Flow Rate

- 2 gpm | 7.6 lpm | 60 psi

### Available Finishes

- Chrome (CC)
- Brushed Nickel (BN)
- Matte Black (MB)
- Brushed Gold (BG)

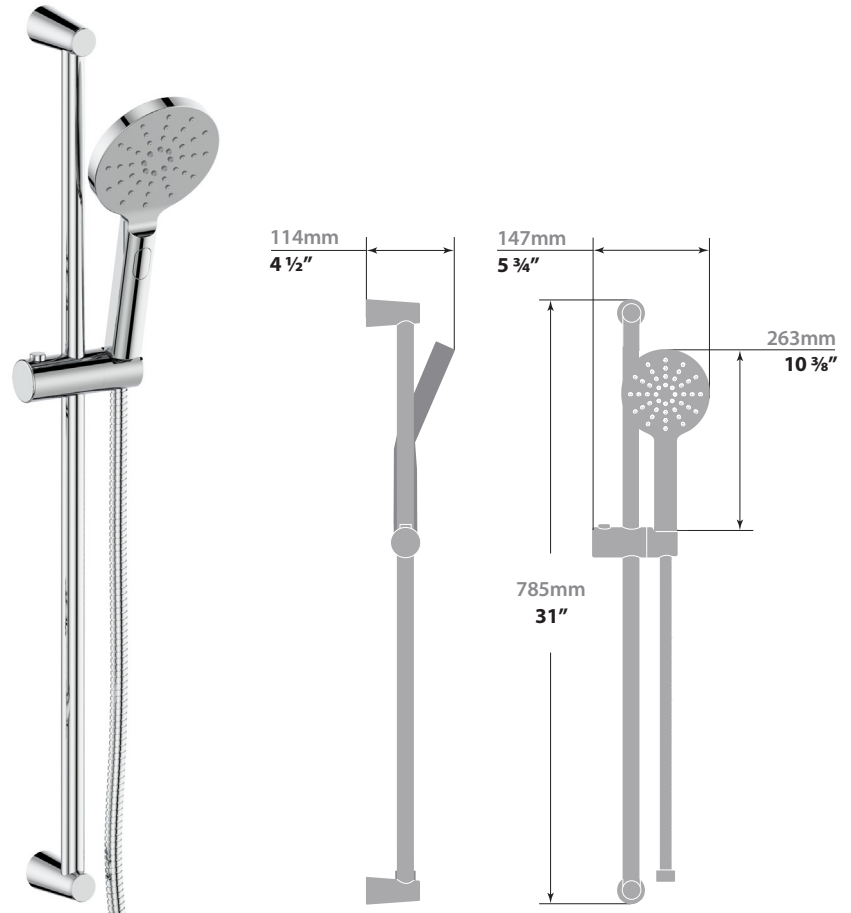
(Model Pictured: Chrome)

### Codes / Standards

- Uniform Plumbing Code (UPC®)
- ASME A112.18.1/CSA B125.1
- ASSE 1016

### Warranty

- Limited lifetime warranty  
(see full warranty for details)



### ROUND WALL SUPPLY ELBOW

EC.02.01

#### Description

- Round brass elbow connector with 1/2" female NPT connection

#### Available Finishes

- Chrome (CC)
- Brushed Nickel (BN)
- Glossy White / Chrome (CW)
- Matte Black (MB)
- Brushed Gold (BG)

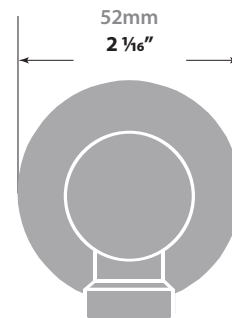
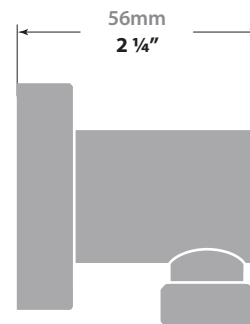
(Model Pictured: Chrome)

#### Codes / Standards

- Uniform Plumbing Code (UPC®)
- ASME A112.18.1/CSA B125.1

#### Warranty

- Limited lifetime warranty (see full warranty for details)



# WÖRGL

## TUB SPOUT

TS.02.07

### Description

- Brass tub spout with 1/2" female NPT connection

### Available Finishes

- Chrome (CC)
- Brushed Nickel (BN)
- Matte Black (MB)
- Brushed Gold (BG)

(Model Pictured: Chrome)

### Codes / Standards

- Uniform Plumbing Code (UPC®)
- ASME A112.18.1/CSA B125.1
- ASSE 1016

### Warranty

- Limited lifetime warranty (see full warranty for details)

