

# WÖRGL

## 1-WAY PRESSURE BALANCED SHOWER SYSTEM

SET.OR.110.100

### Components Included

---

- **VE.110** - Pressure balanced valve without diverter
- **TM.WL.110** - Trim for 1-way pressure balanced valve
- **BH.02.03** - 31" sliding shower bar with hose and 3 function hand shower (HS.02.03)
- **EC.42.01** - Round elbow connector with ½" female NPT connection

### Available Finishes

---

- Chrome (CC)
- Matte Black (MB)

(Model Pictured: Chrome)

### Codes / Standards

---

- Uniform Plumbing Code (UPC®)
- ASME A112.18.1/CSA B125.1
- ASSE 1016

### Warranty

---

- Valve & cartridge - Limited lifetime warranty
- Components - Limited lifetime warranty  
(see full warranty for details)



### WÖRGL PRESSURE BALANCED VALVE & TRIM

VT.WL.110

#### Description

- VE.110 - 1/2" pressure balanced valve
- TM.WL.110 - Trim for 1/2" pressure balanced valve
- 1 position

#### Flow Rate

- 5.5 gpm | 21 lpm | 60 psi

#### Cartridge

- CE.1440.PB - cartridge

#### Available Finishes

- Chrome (CC)
- Brushed Nickel (BN)
- Matte Black (MB)

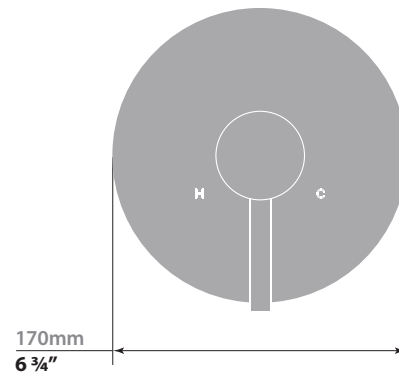
(Model Pictured: Chrome)

#### Codes / Standards

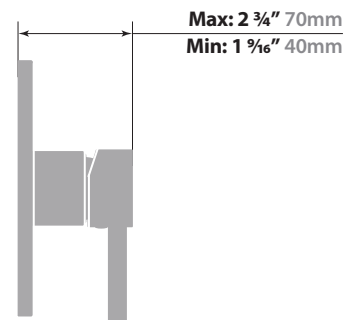
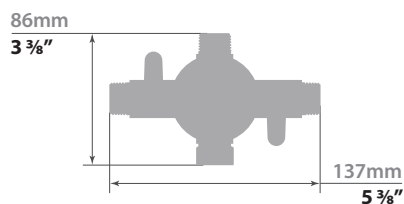
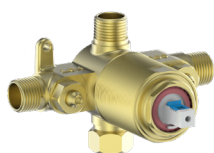
- Uniform Plumbing Code (UPC®)
- ASME A112.18.1/CSA B125.1
- ASSE 1016

#### Warranty

- Limited lifetime warranty  
(see full warranty for details)



#### VE.110 - Pressure Balanced Valve Without Diverter



### PRESSURE BALANCED VALVE WITHOUT DIVERTER

VE.110

#### Description

- Valve with pressure balanced cartridge
- ½" male NPT connections

#### Flow Rate

- 5.5 gpm | 21 lpm | 60 psi

#### Cartridge

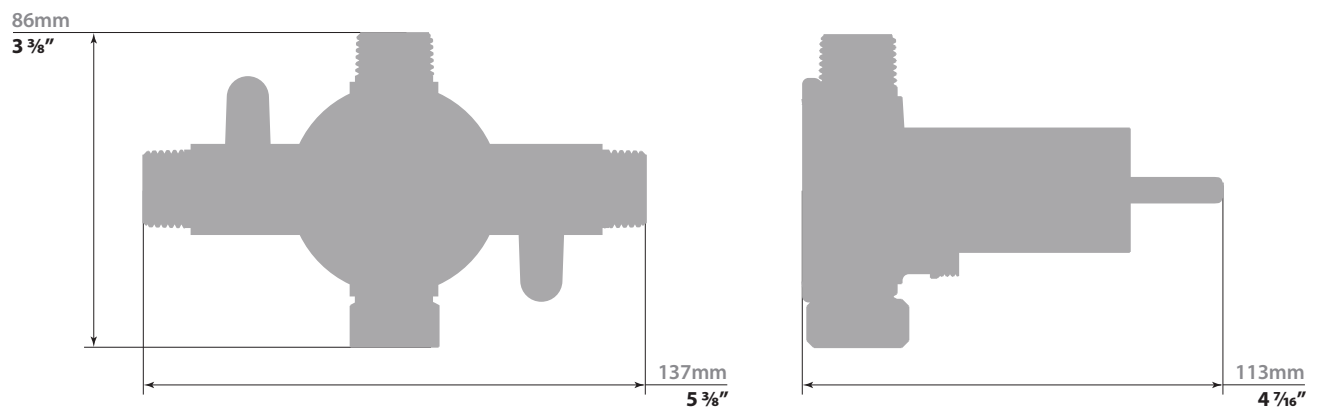
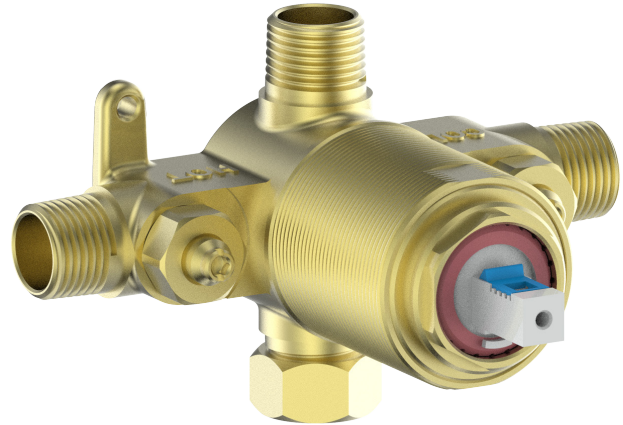
- CE.1440.PB cartridge

#### Codes / Standards

- Uniform Plumbing Code (UPC®)
- ASME A112.18.1/CSA B125.1
- ASSE 1016

#### Warranty

- Limited lifetime warranty  
(see full warranty for more details)



# WÖRGL

## SLIDING SHOWER BAR WITH HANDSHOWER

BH.02.03

### Description

- SB.02.31 - 31" sliding shower bar
- HE.150 - 59" hose
- HS.02.03 - 3-function hand shower

### Flow Rate

- 2 gpm | 7.6 lpm | 60 psi

### Available Finishes

- Chrome (CC)
- Brushed Nickel (BN)
- Matte Black (MB)

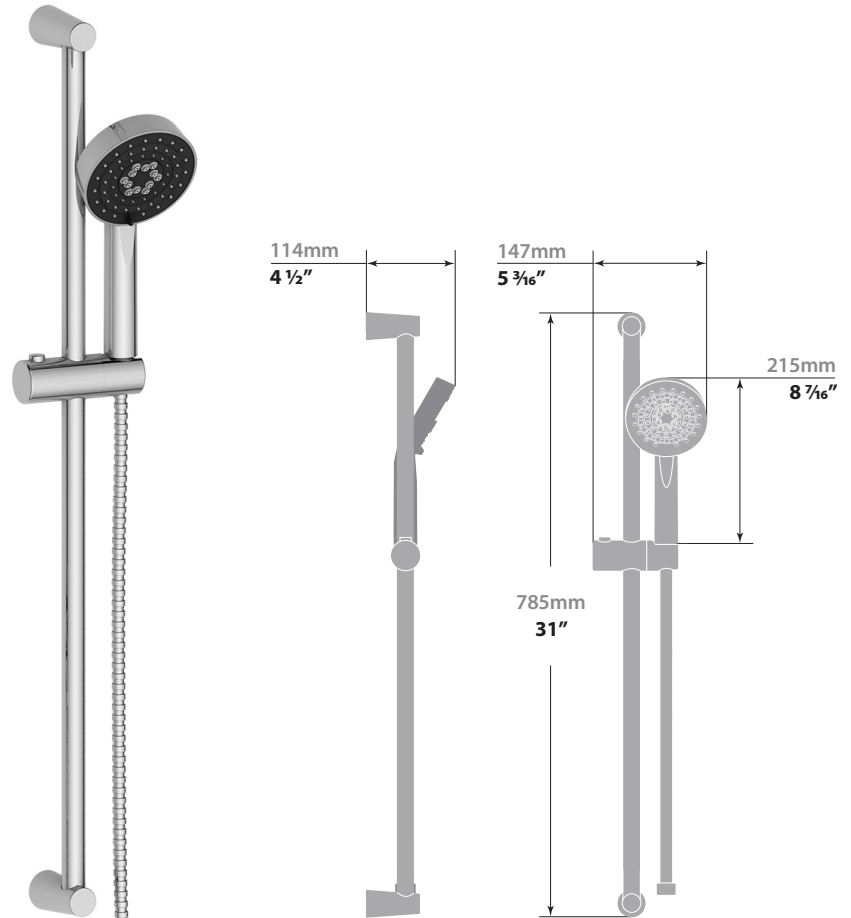
(Model Pictured: Chrome)

### Codes / Standards

- Uniform Plumbing Code (UPC®)
- ASME A112.18.1/CSA B125.1
- ASSE 1016

### Warranty

- Limited lifetime warranty  
(see full warranty for details)



### ROUND WALL SUPPLY ELBOW

EC.42.01

#### Description

- Round elbow connector with 1/2" female NPT connection

#### Available Finishes

- Chrome (CC)
- Matte Black (MB)

(Model Pictured: Chrome)

#### Codes / Standards

- Uniform Plumbing Code (UPC®)
- ASME A112.18.1/CSA B125.1

#### Warranty

- Limited lifetime warranty (see full warranty for details)

