

### NIVEAU

#### 3-WAY THERMOSTATIC SHOWER SYSTEM

SET.NU.320.310

#### Description

---

- **VE.320** - Thermostatic valve with integrated 3-way diverter
- **TM.NU.320** - Trim for 3-way thermostatic valve
- **SH.07.0808** - 8" square full brass shower head
- **WA.01.16** - 16" wall mount shower arm with ½" female NPT connection
- **BH.07.03** - 30½" sliding shower bar with hose and 4 function hand shower (HS.04.03)
- **EC.07.01** - Square brass elbow connector with ½" female NPT connection
- **TS.07.07** - 7½" brass tub spout with ½" female NPT connection

#### Available Finishes

---

- Chrome (CC)
- Matte Black (MB)

(Model Pictured: Chrome)

#### Codes / Standards

---

- Uniform Plumbing Code (UPC®)
- ASME A112.18.1/CSA B125.1
- ASSE 1016

#### Warranty

---

- Limited lifetime warranty  
(see full warranty for details)



### NIVEAU

#### 3-WAY THERMOSTATIC VALVE & TRIM

VT.NU.320

#### Description

- **VE.320** - 1/2" thermostatic valve with 3-way diverter
- **TM.NU.320** - Trim for 3-way thermostatic valve
- 5 positions

#### Flow Rate

- 6.2 gpm | 23.4 lpm | 60 psi

#### Cartridge

- CE.1401.TT - cartridge
- CE.1408.DR - diverter

#### Available Finishes

- Chrome (CC)
- Matte Black (MB)

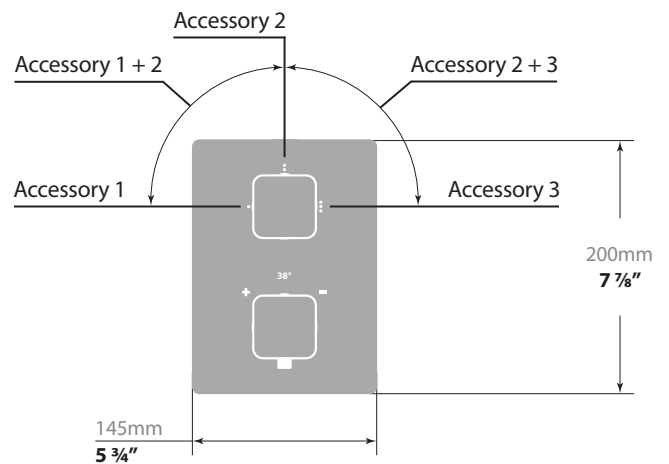
(Model Pictured: Chrome)

#### Codes / Standards

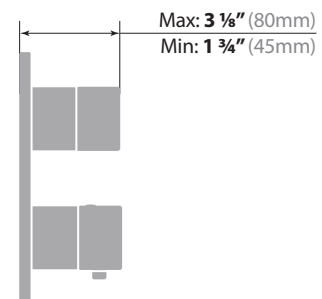
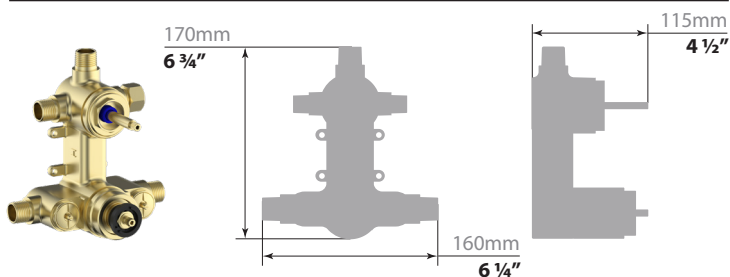
- Uniform Plumbing Code (UPC®)
- ASME A112.18.1/CSA B125.1
- ASSE 1016

#### Warranty

- Limited lifetime warranty (see full warranty for details)



#### VE.320 - 3-Way Thermostatic Valve



### 3-WAY THERMOSTATIC VALVE

VE.320

#### Description

- Valve with thermostatic cartridge and 3-way diverter
- ½" male NPT connections

#### Flow Rate

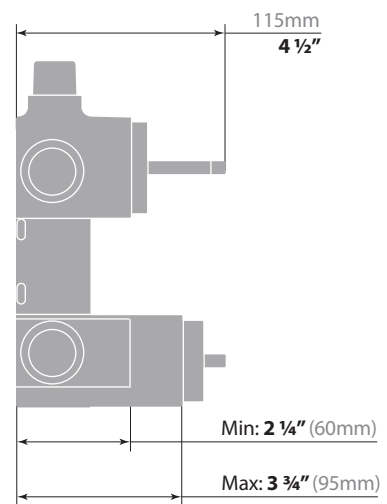
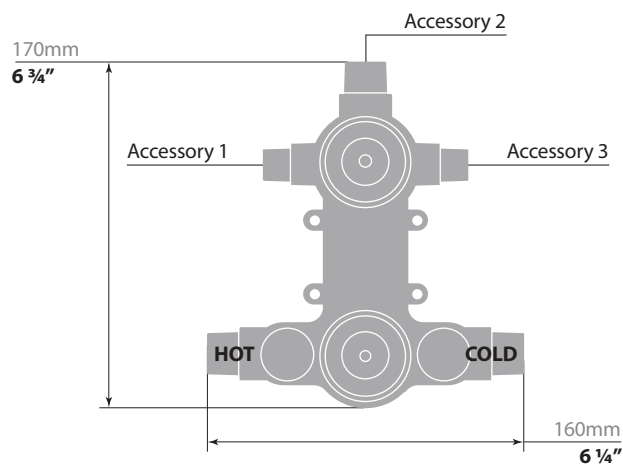
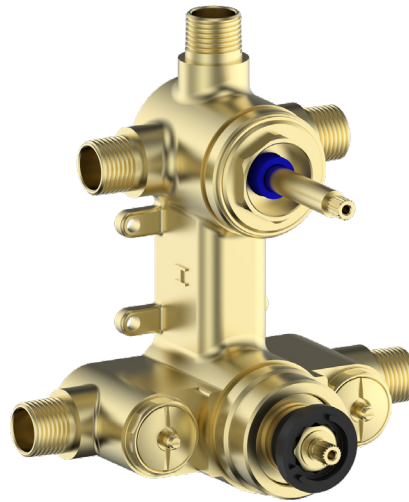
- 6.2 gpm | 23.4 lpm | 60 psi

#### Cartridge

- CE.1401.TT cartridge
- CE.1708.DR diverter

#### Warranty

- Limited lifetime warranty (see full warranty for more details)



### 16" WALL ARM

WA.01.16

#### Description

- 16" wall mount shower arm with 1/2" female NPT connection
- Square pipe with rectangular escutcheon plate

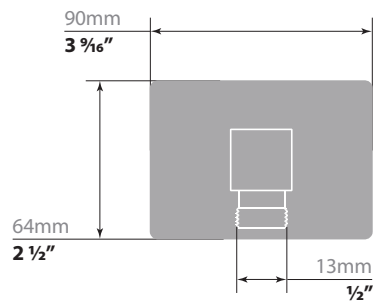
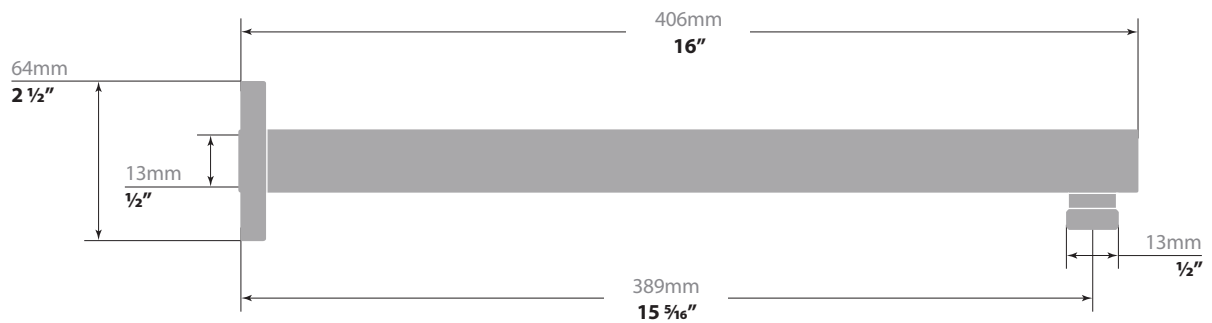
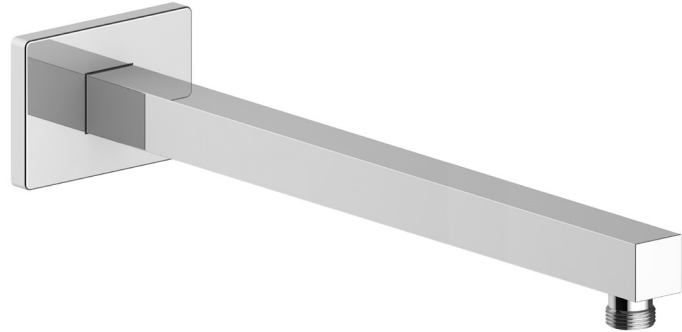
#### Available Finishes

- Chrome (CC)
- Brushed Nickel (BN)
- Matte Black (MB)

(Model Pictured: Chrome)

#### Warranty

- Limited lifetime warranty (see full warranty for details)



### 8" SQUARE SHOWER HEAD

SH.07.0808

#### Description

- 8" square full brass shower head
- Anti-limestone technology

#### Flow Rate

- 2 gpm | 7.6 lpm | 60 psi

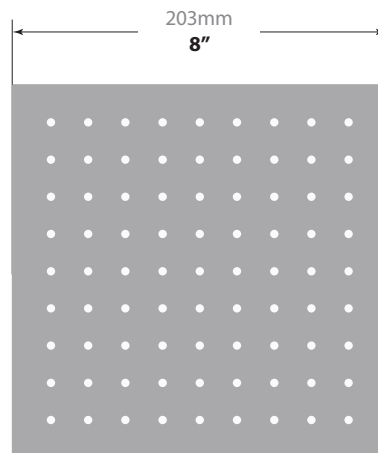
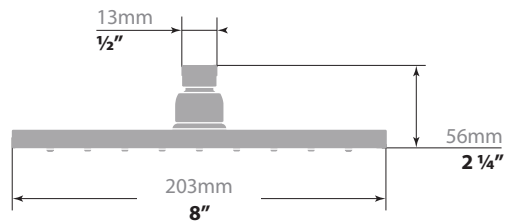
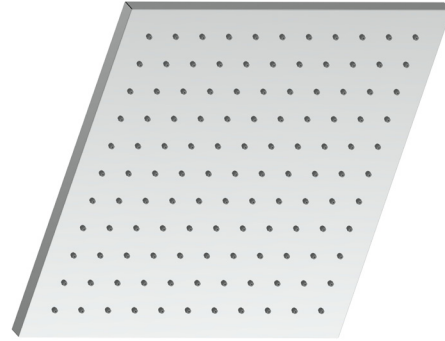
#### Available Finishes

- Chrome (CC)
- Matte Black (MB)

(Model Pictured: Chrome)

#### Warranty

- Limited lifetime warranty  
(see full warranty for details)



### NIVEAU SLIDING SHOWER BAR

BH.07.03

#### Description

- SB.07.30 - 30 $\frac{1}{8}$ " sliding shower bar
- HE.150 - 59" hose
- HS.04.03 - 4-function hand shower

#### Flow Rate

- 2 gpm | 7.6 lpm | 60 psi

#### Available Finishes

- Chrome (CC)
- Matte Black (MB)

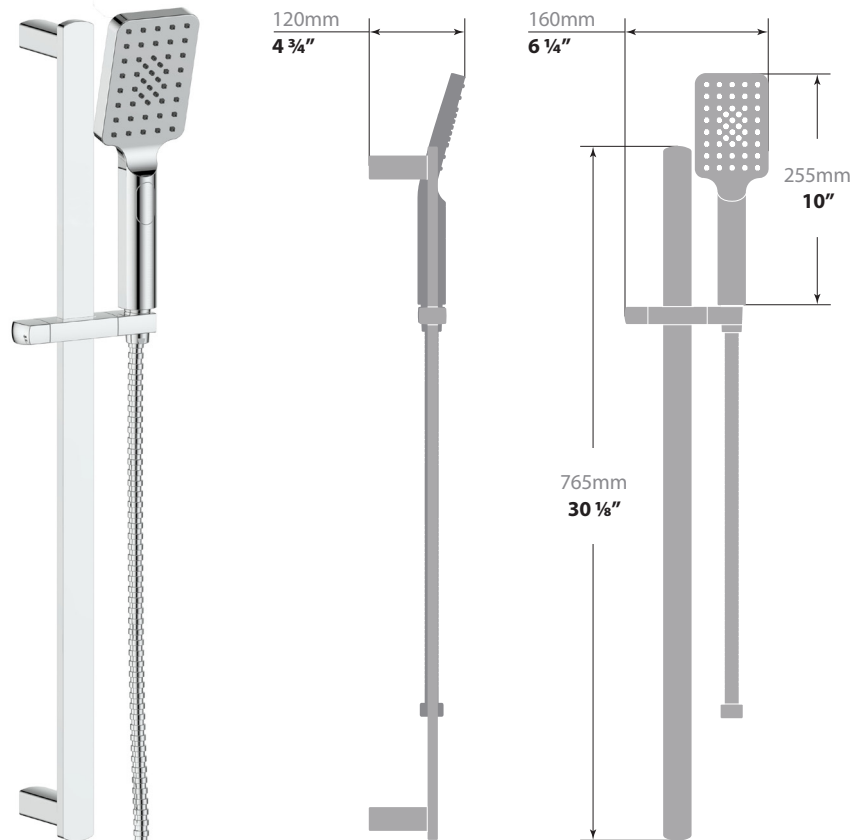
(Model Pictured: Chrome)

#### Codes / Standards

- Uniform Plumbing Code (UPC®)
- ASME A112.18.1/CSA B125.1
- ASSE 1016

#### Warranty

- Limited lifetime warranty  
(see full warranty for details)



### SQUARE WALL SUPPLY ELBOW

EC.07.01

#### Description

- Square brass elbow connector with 1/2" female NPT connection

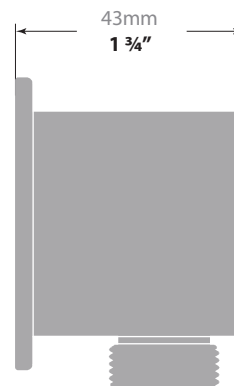
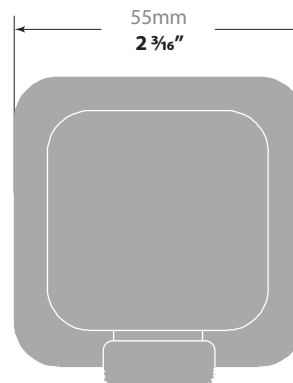
#### Available Finishes

- Chrome (CC)
- Matte Black (MB)

(Model Pictured: Chrome)

#### Warranty

- Limited lifetime warranty (see full warranty for details)



### NIVEAU TUB SPOUT

TS.07.07

#### Description

- 7½" brass tub spout with ½" female NPT connection

#### Available Finishes

- Chrome (CC)
- Matte Black (MB)

(Model Pictured: Chrome)

#### Codes / Standards

- Uniform Plumbing Code (UPC®)
- ASME A112.18.1/CSA B125.1
- ASSE 1016

#### Warranty

- Limited lifetime warranty (see full warranty for details)

