

## TABLE OF CONTENTS

- **WALL-MOUNTED TUB FILLER** **3**
- **EXPOSED WALL-MOUNTED TUB FILLER** **24**

### Before you begin:

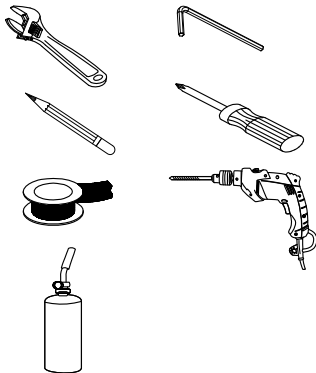
- Please take note of different standards and regulations that are dictated by your local plumbing codes. This product is certified in accordance with North American building codes.
- We insist that you use the services of a professional plumber with experience in the installation of similar fixtures.
- Ensure that the piping system is well secured to prevent rattling, vibration and banging noises caused by a water hammer. We also recommend that you use water hammer arrestors.
- Remove the cartridge and purge the water supply system for around 30 seconds. Then carefully reinstall the cartridge.
- After installation, check and ensure that there are no leaks.

# Wall-mounted tub filler

\*\*\*\*\*

**Tools and equipment  
You will need:**

**Estimated assembly time**



+/- 120 Min

## Reference



Hot water



Cold water



Grease

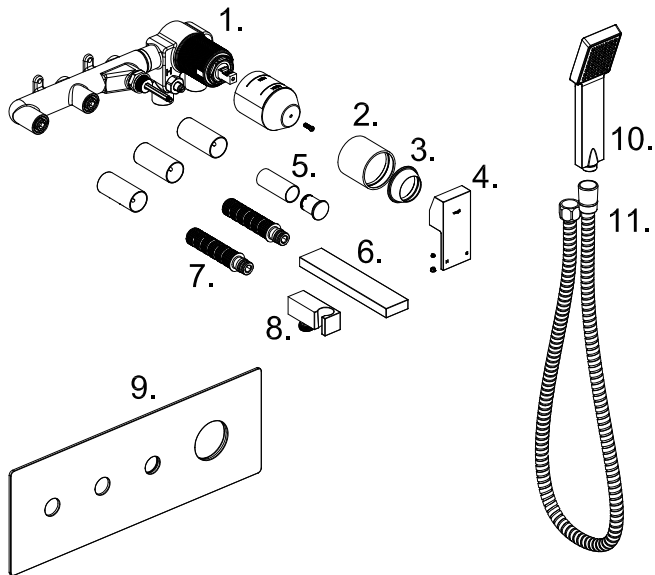


Warning



Sealant tape

# WALL-MOUNTED TUB FILLER



- 1. Rough-in
- 2. Sleeve
- 3. Cap
- 4. Handle
- 5. Diverter
- 6. Spout
- 7. Adaptors

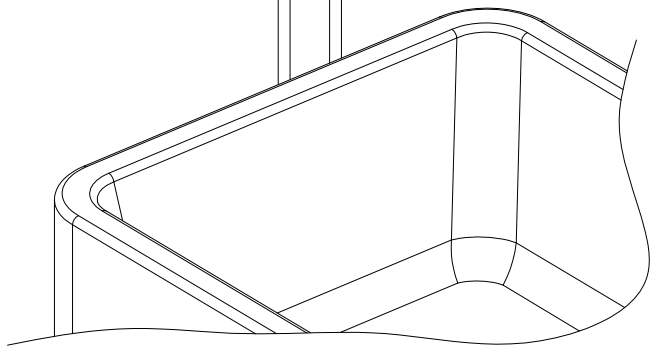
- 8. Wall Elbow Supply
- 9. Faceplate
- 10. Shower Handle
- 11. Hose

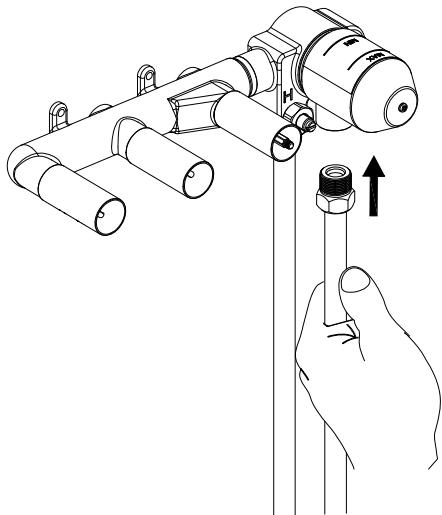
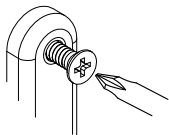
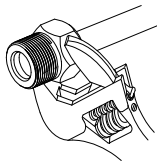
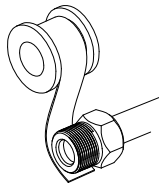
1

1/2-14NPT

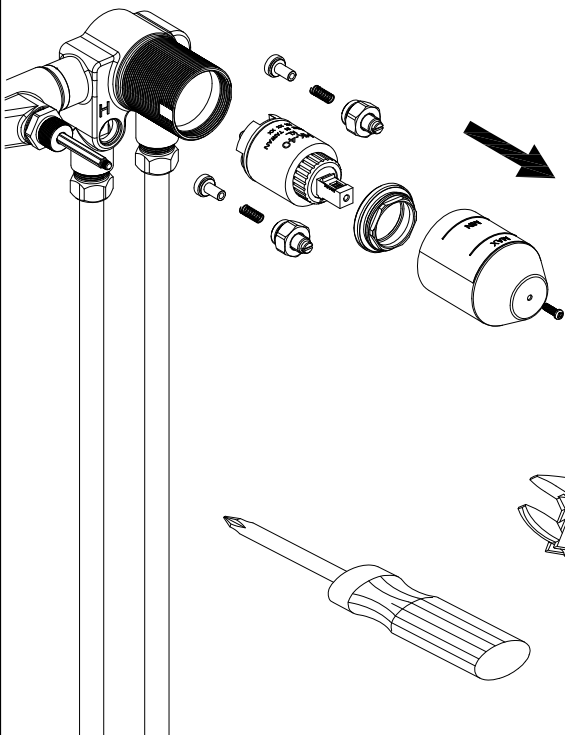
Cold Water

Hot Water

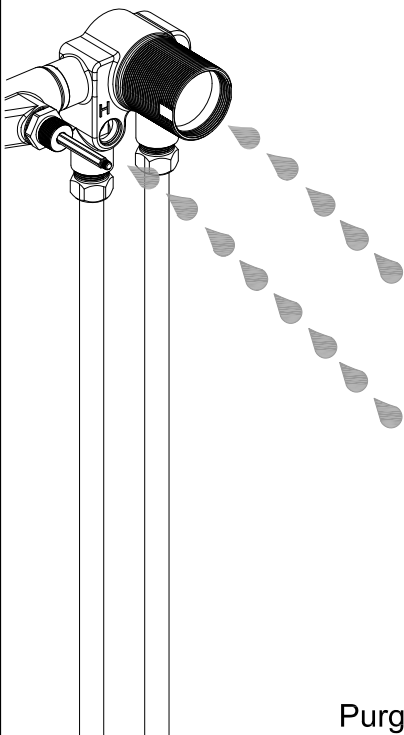


**2****2a****2b**

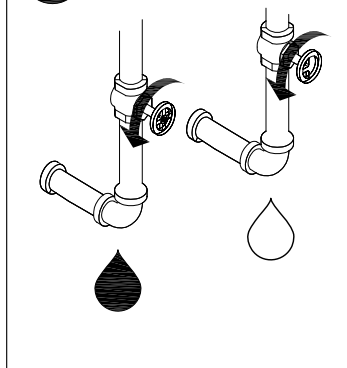
3



4

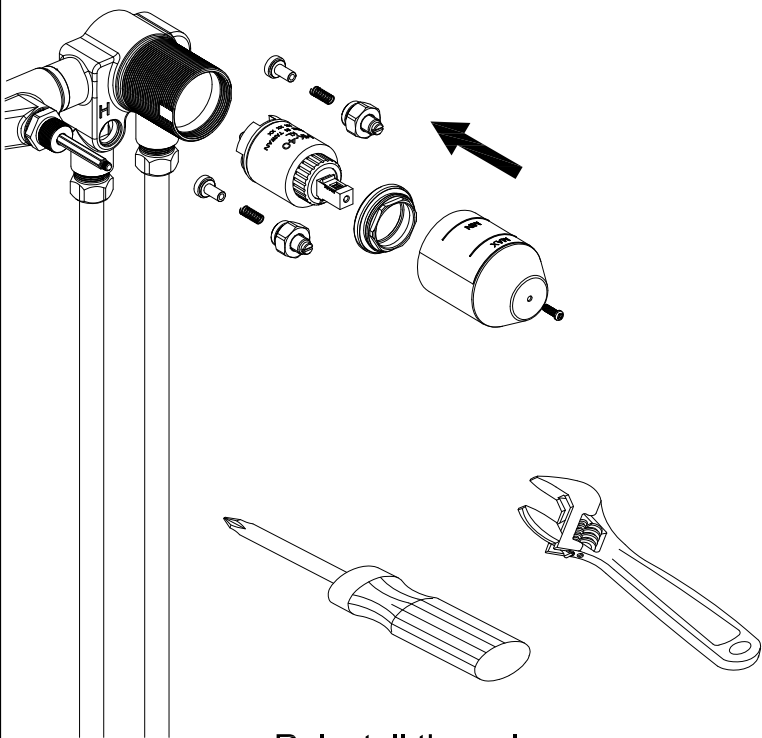


4b



Purge the water supply system for around 30 seconds.

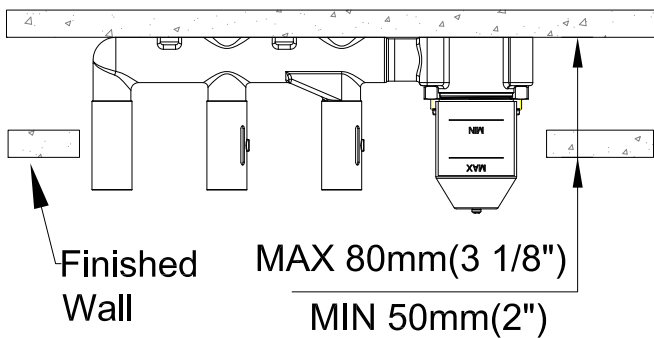
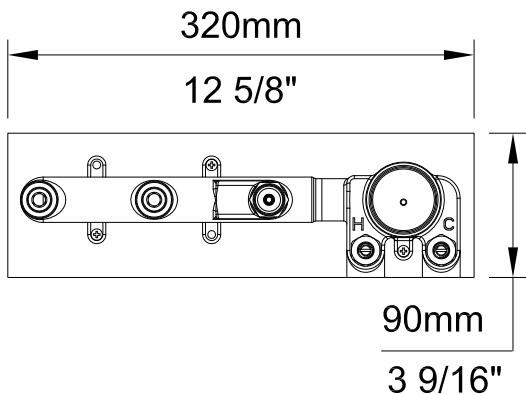
5



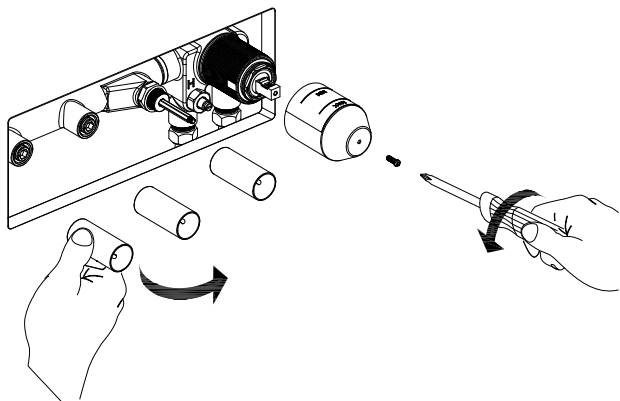
Reinstall the valve components into their original positions.

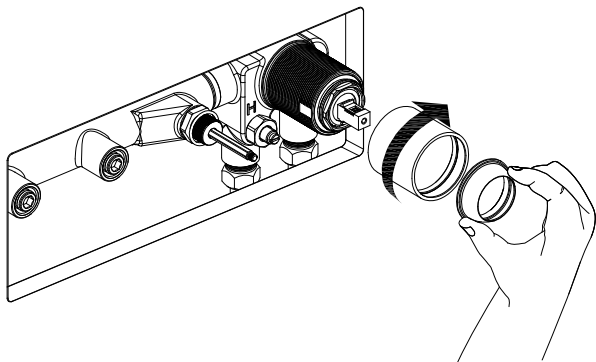


6

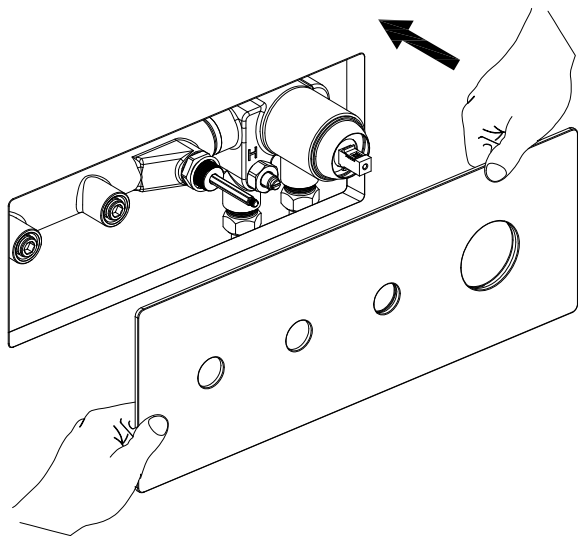


7

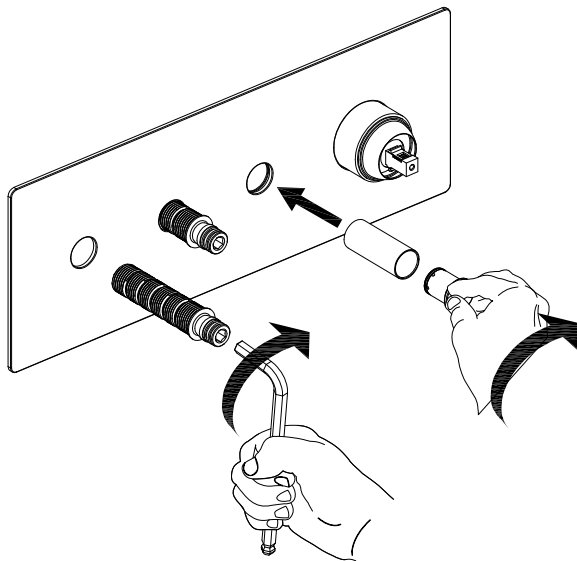


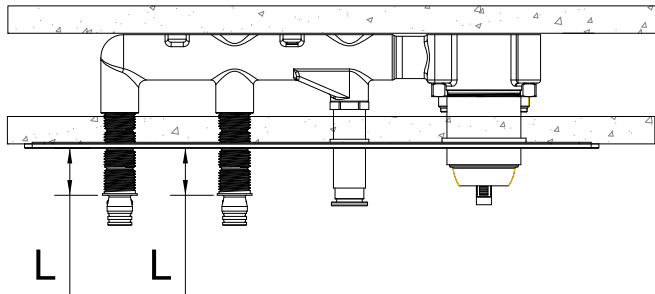
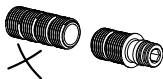
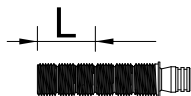
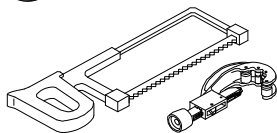


9

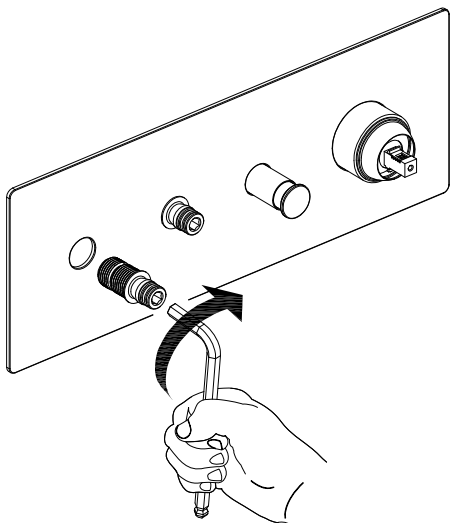


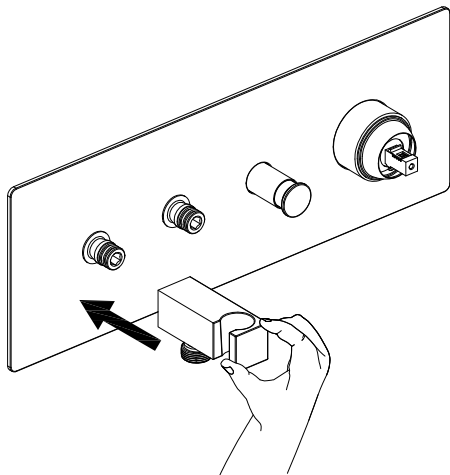
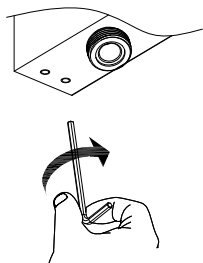
10



**11****11a**

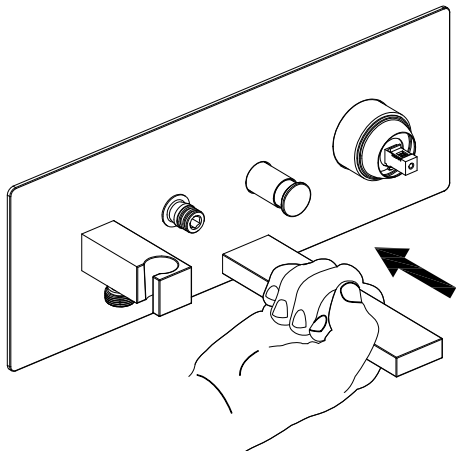
12



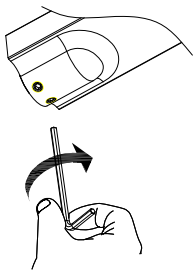
**13****13a**



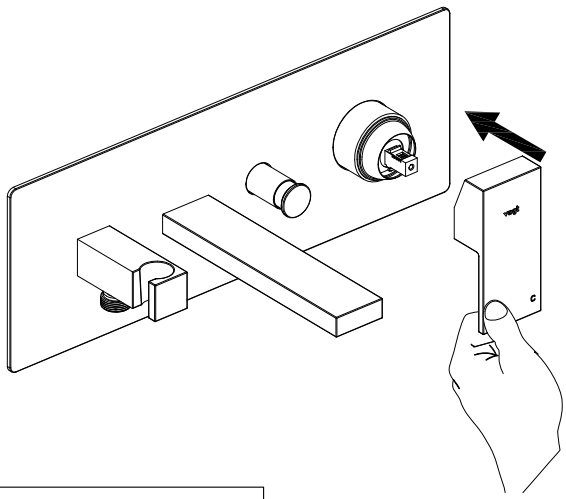
14



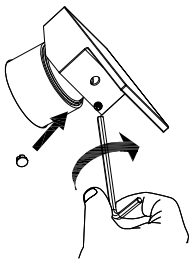
14a



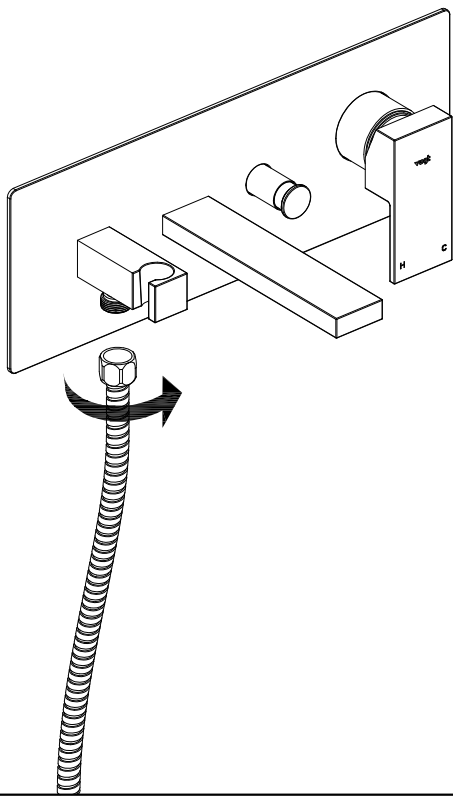
15



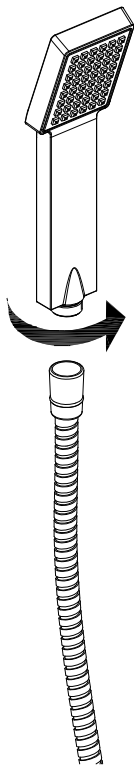
15a

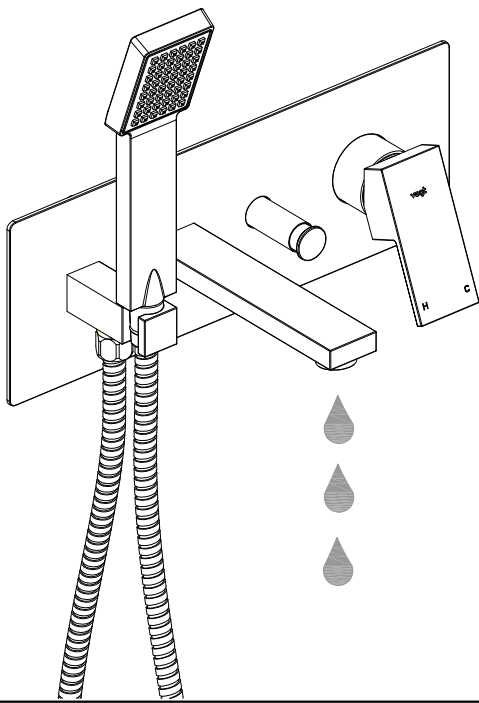


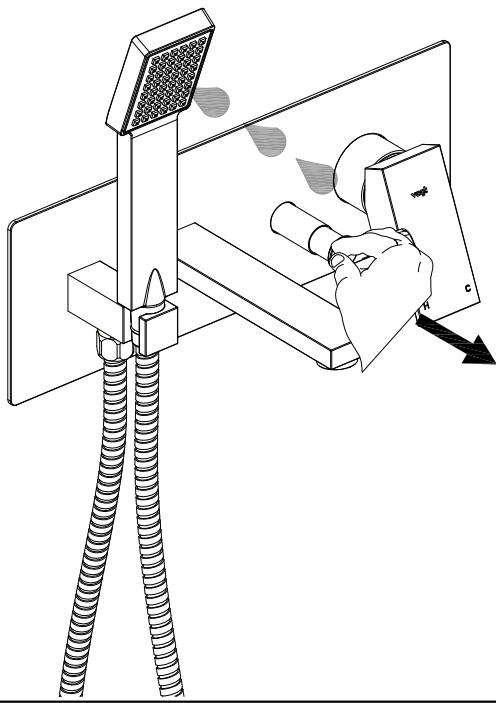
16

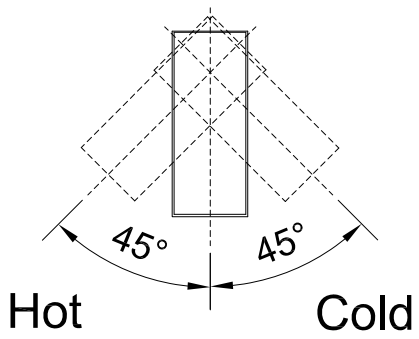
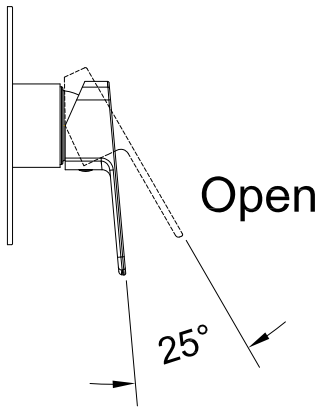


17

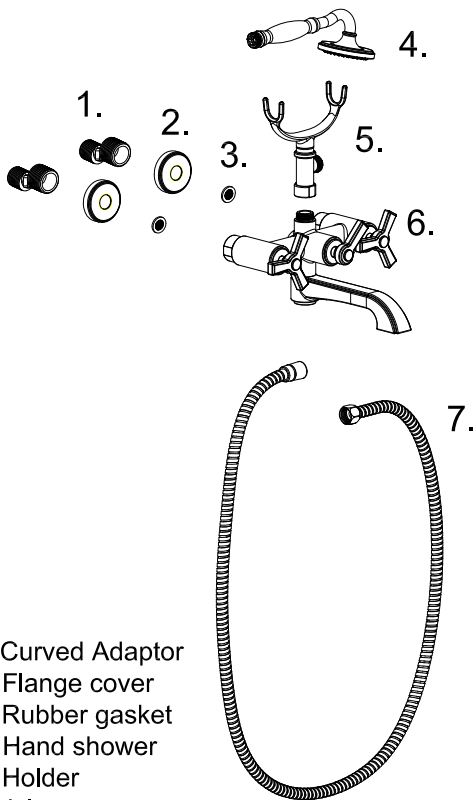








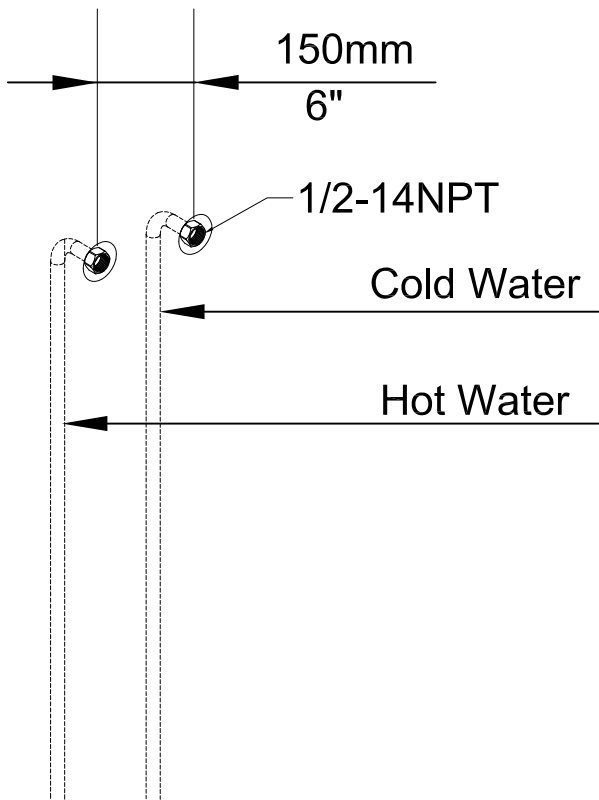
# EXPOSED WALL-MOUNTED TUB FILLER



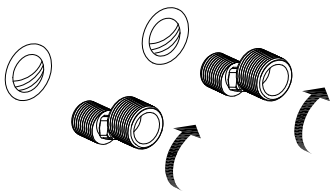
1. Curved Adaptor
2. Flange cover
3. Rubber gasket
4. Hand shower
5. Holder
6. Valve
7. Hose



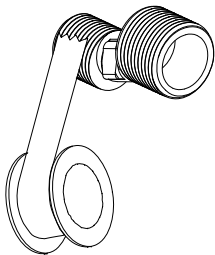
1



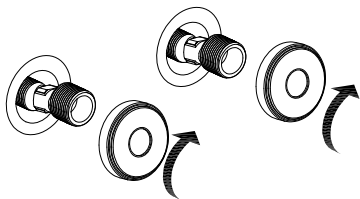
**2**



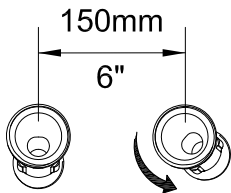
**2a**



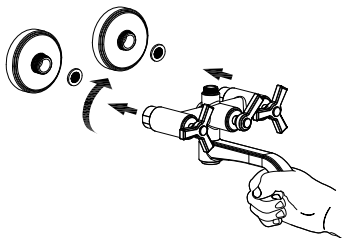
**3**



**3a**



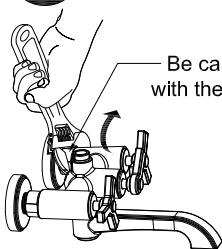
4



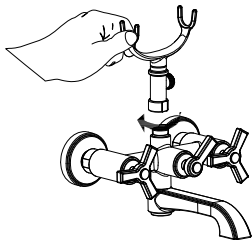
4a



Be careful  
with the finish



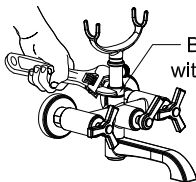
5



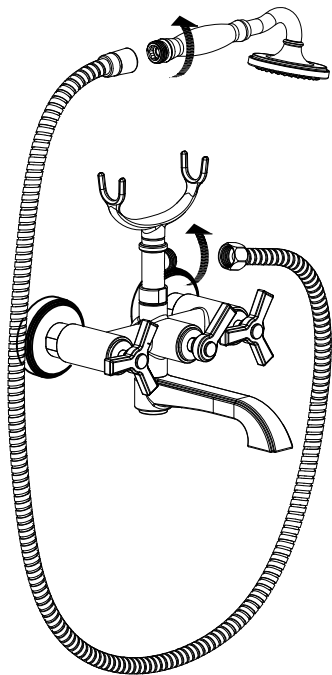
5a



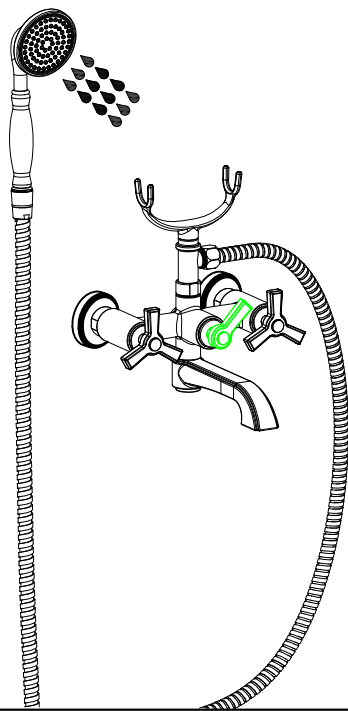
Be careful  
with the finish

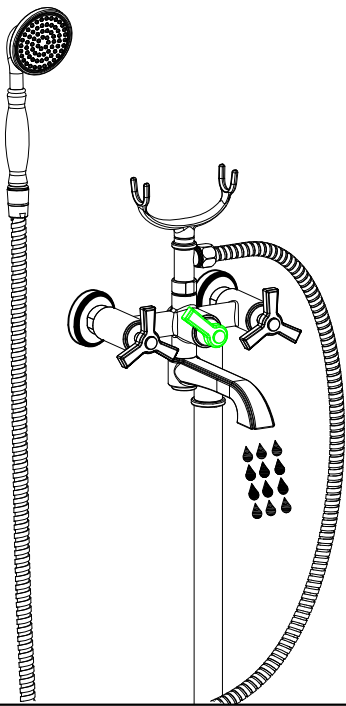


6



7





9

