

TABLE OF CONTENTS

▪ PULL-DOWN KITCHEN FAUCETS	3
▪ SPRING KITCHEN FAUCETS	14
▪ POT FILLER	22
▪ BRIDGE KITCHEN FAUCETS	28

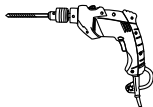
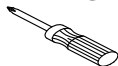
Before you begin:

- Please take note of different standards and regulations that are dictated by your local plumbing codes. This product is certified in accordance with North American building codes.
- We insist that you use the services of a professional plumber with experience in the installation of similar fixtures.
- Ensure that the piping system is well secured to prevent rattling, vibration and banging noises caused by a water hammer. We also recommend that you use water hammer arrestors.
- Remove the cartridge and purge the water supply system for around 30 seconds. Then carefully reinstall the cartridge.
- After installation, check and ensure that there are no leaks.

Kitchen Faucets

**Tools and equipment
You will need:**

Estimated assembly time



+/- 45 Min

Reference



Hot water



Cold water



Grease

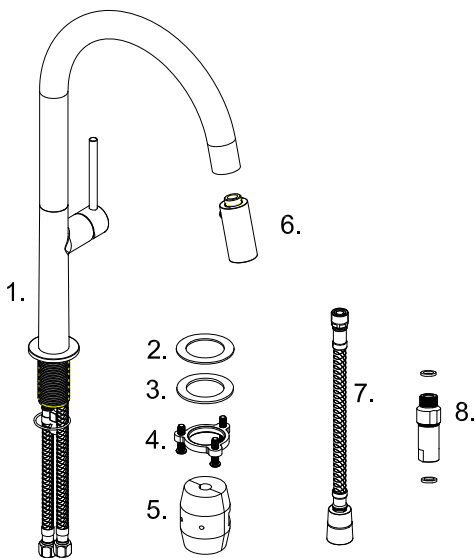


Warning

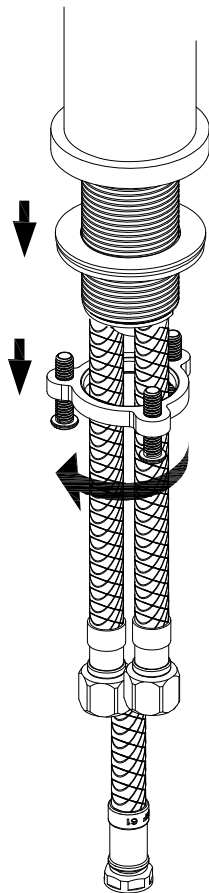
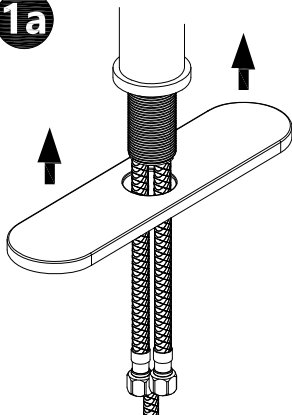
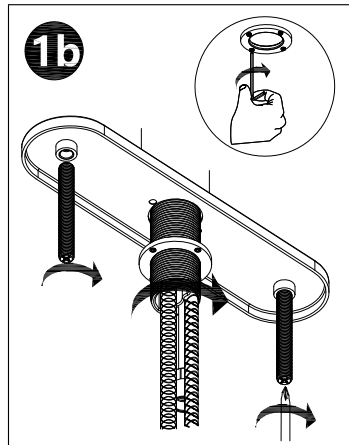


Sealant tape

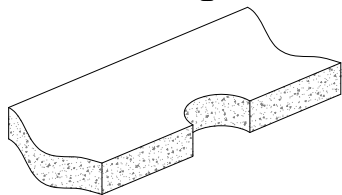
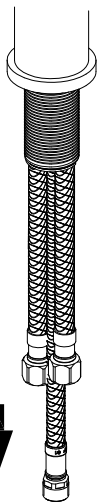
PULL-DOWN KITCHEN FAUCETS



1. Faucet Body
2. Rubber Washer
3. Metal Washer
4. Tie-down Nut and Screws
5. Weight
6. Spray Head
7. Pull out hose
8. Check Valve Assembly

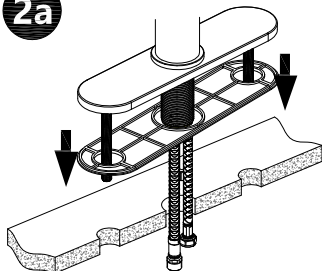
1**1a****1b**

2

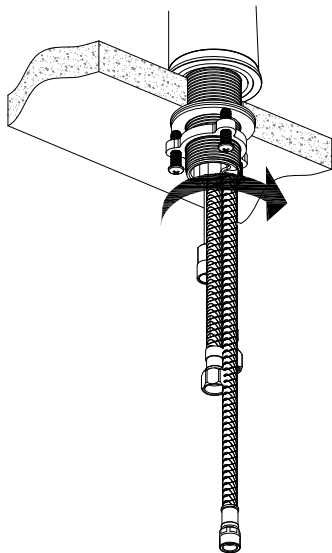
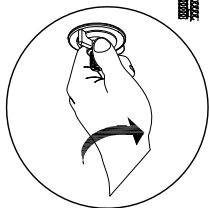
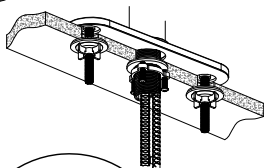
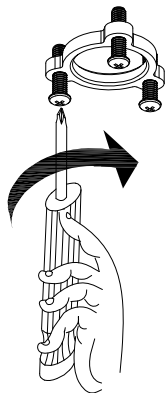


$\phi 35\text{mm}(1\ 3/8\text{'})$ Min
 $\phi 38\text{mm}(1\ 1/2\text{'})$ Max

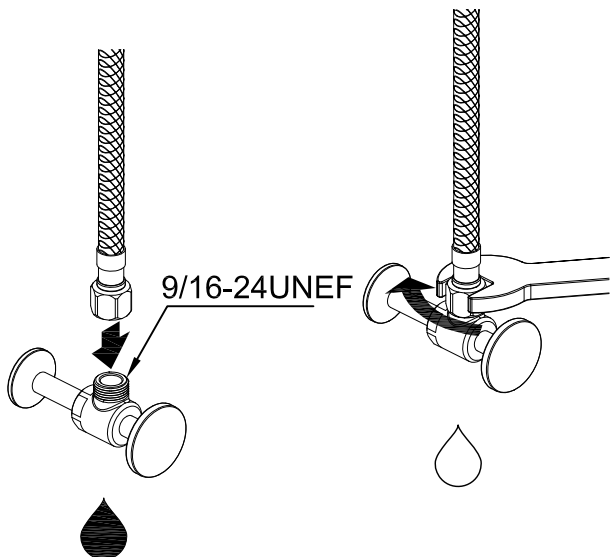
2a

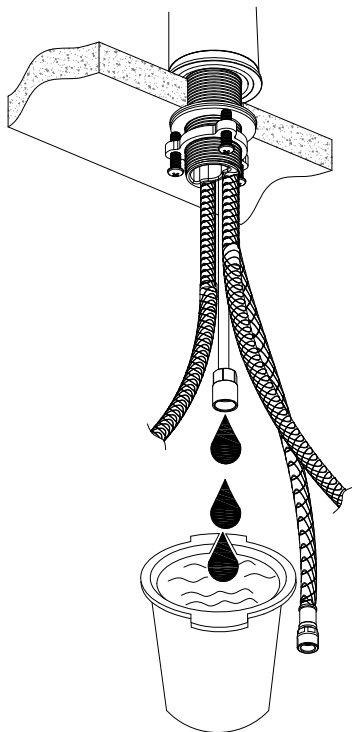
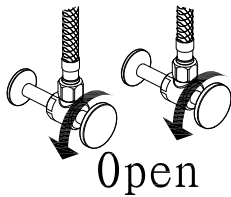
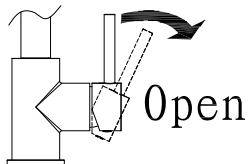


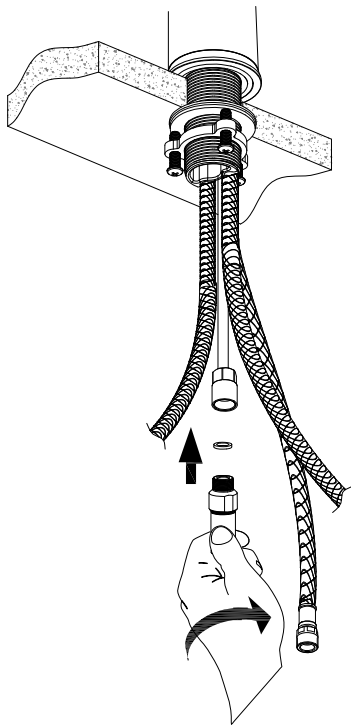
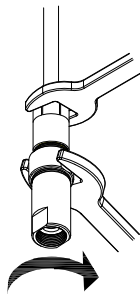
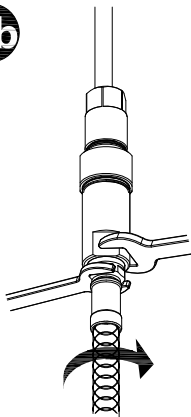
2- $\phi 25\text{mm}(1\text{'})$

3**3a****3b**

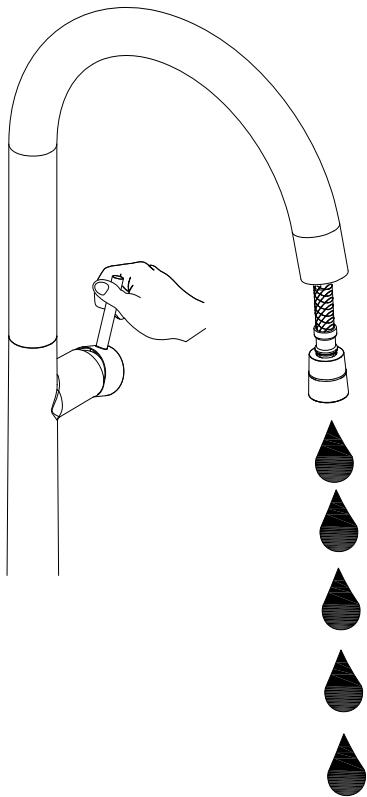
4



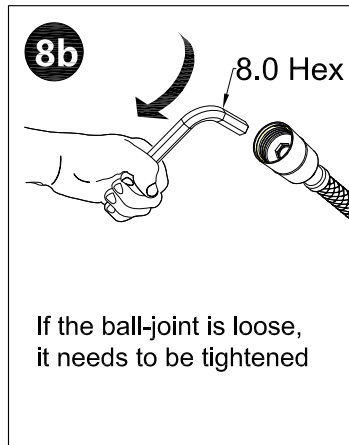
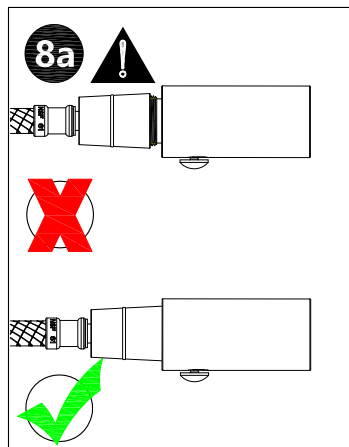
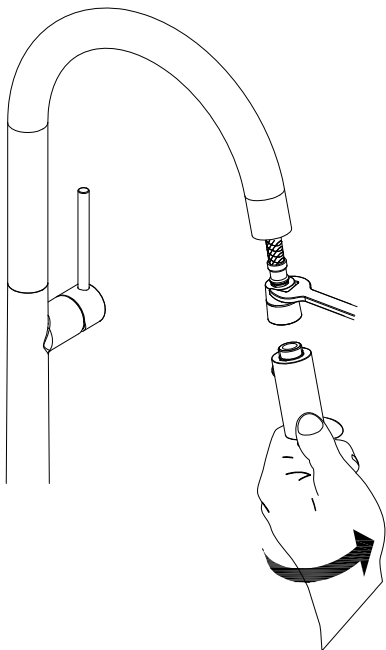
5**5a****5b**

6**6a****6b**

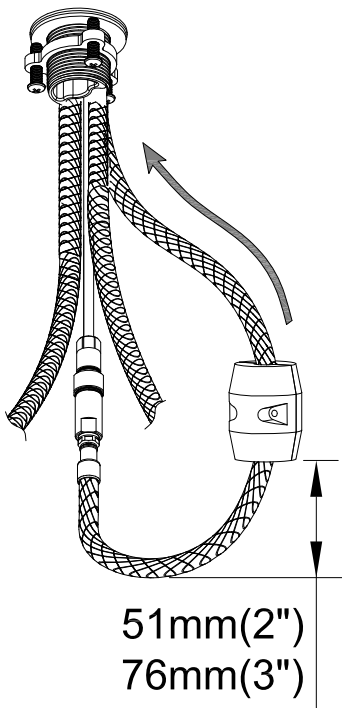
7



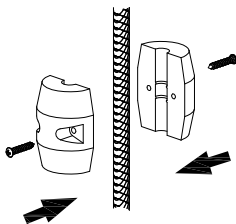
8



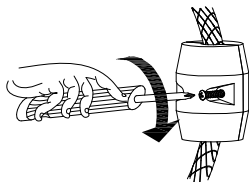
9



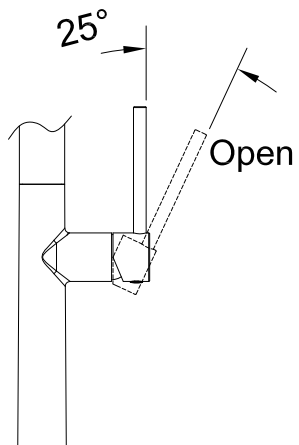
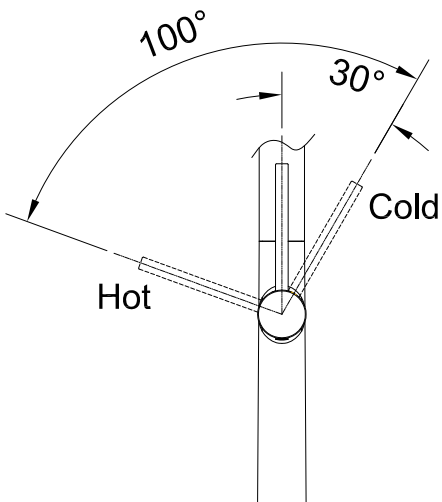
9a



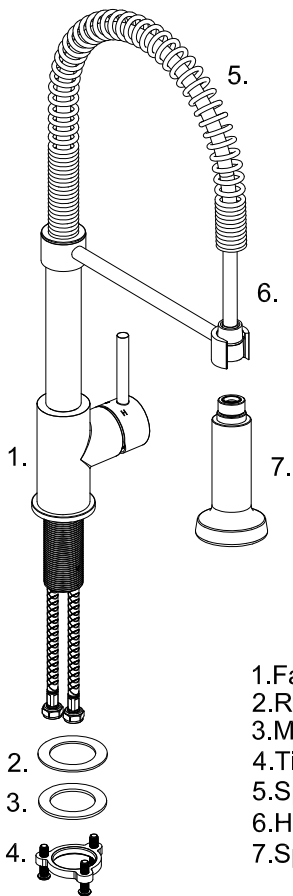
9b



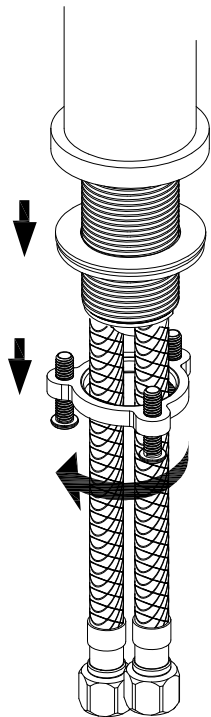
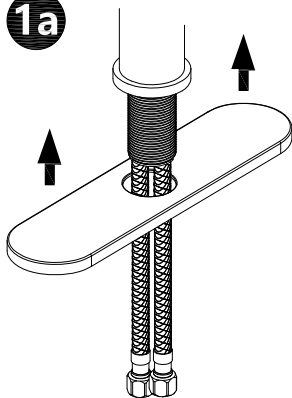
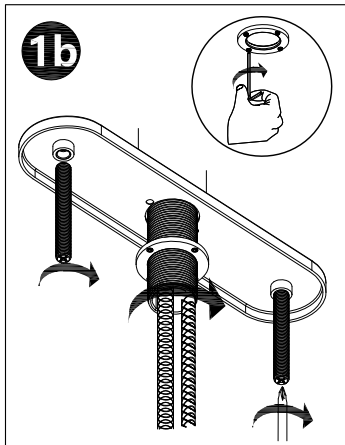
10



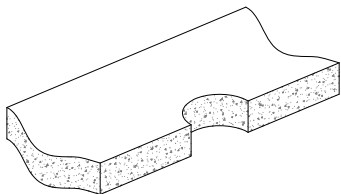
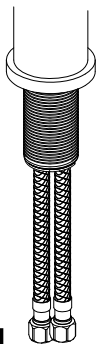
SPRING KITCHEN FAUCETS



1. Faucet Body
2. Rubber Washer
3. Metal Washer
4. Tie-down Nut and Screws
5. Spring
6. Hose
7. Spray head

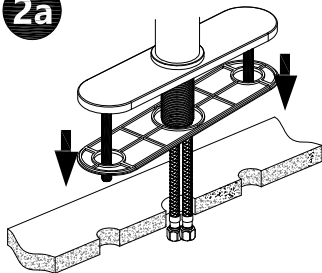
1**1a****1b**

2

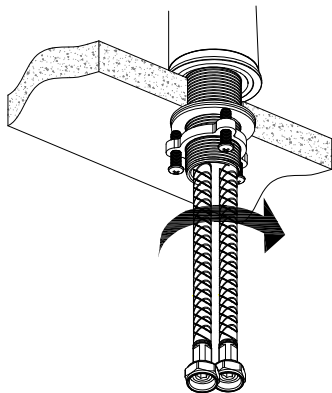
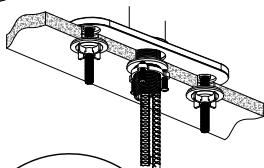
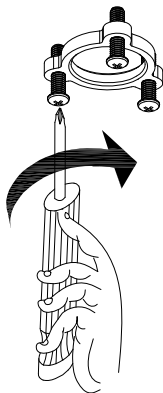


$\phi 35\text{mm}(1\ 3/8\text{'})$ Min
 $\phi 38\text{mm}(1\ 1/2\text{'})$ Max

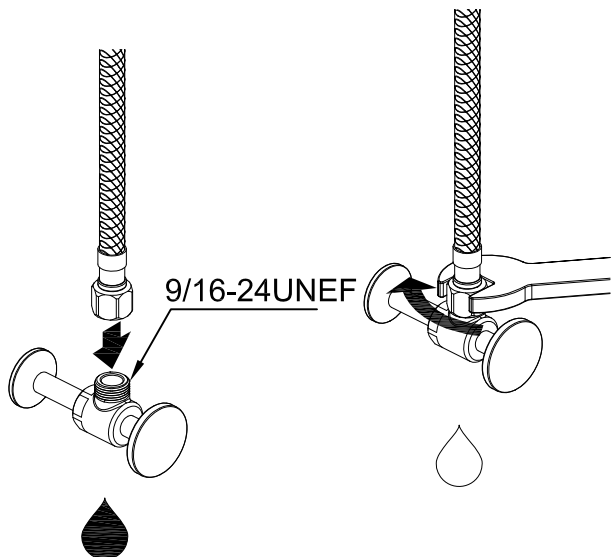
2a



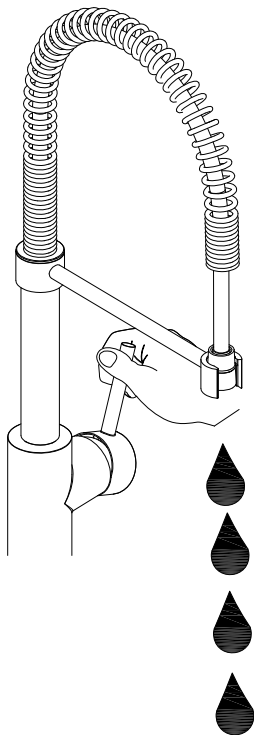
2- $\phi 25\text{mm}(1\text{'})$

3**3a****3b**

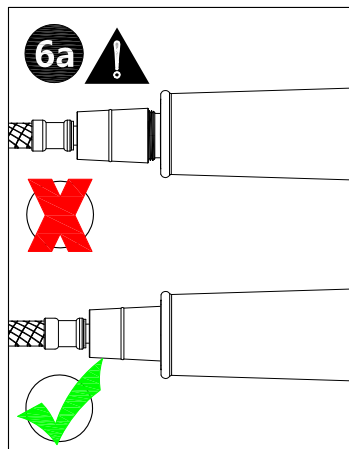
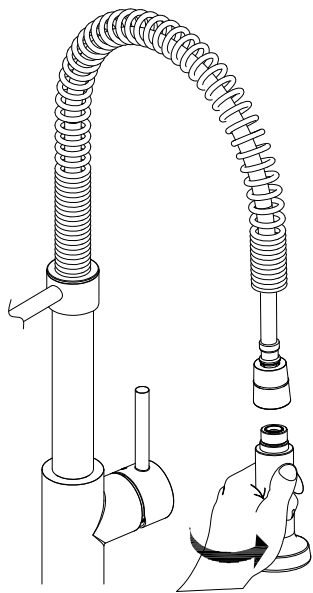
4



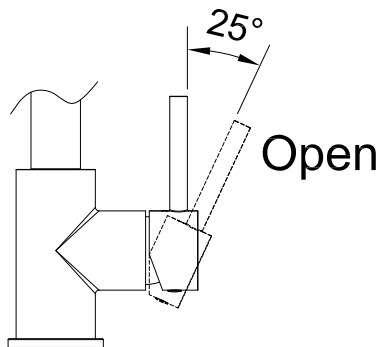
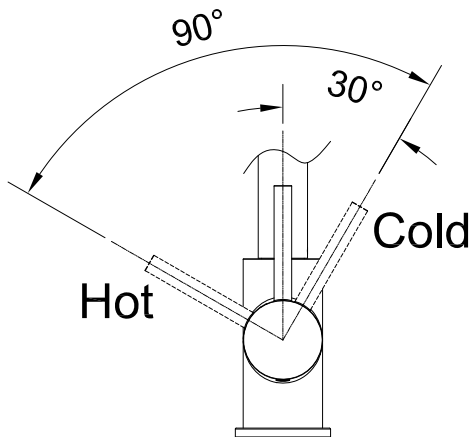
5



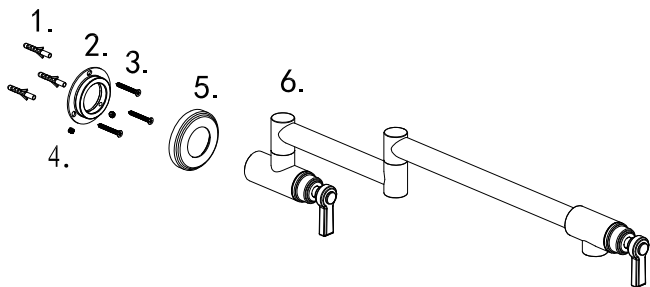
6



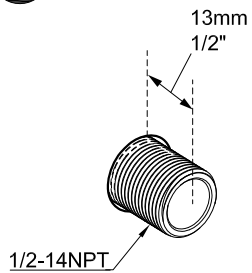
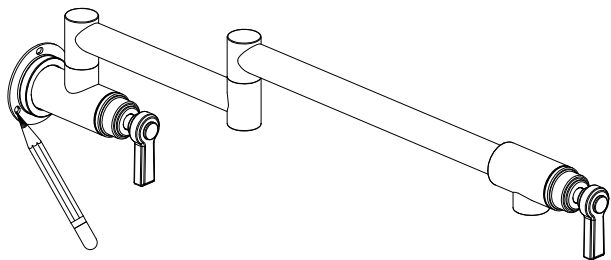
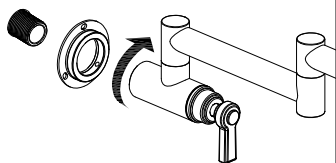
7



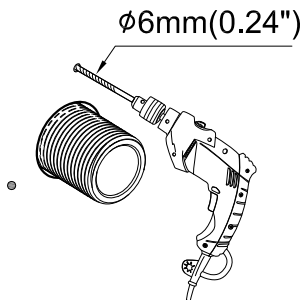
POT FILLER



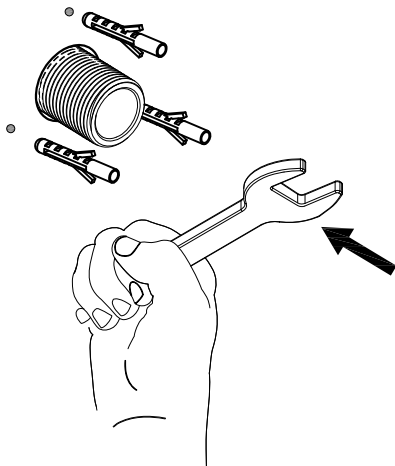
1. Plastic Stud
2. Mounting Base
3. Screw
4. Screw
5. Flange Cover
6. Body

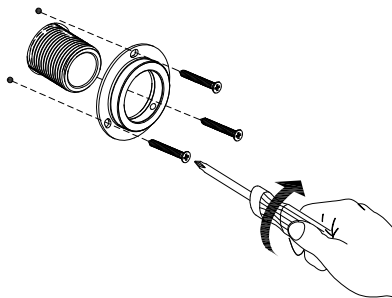
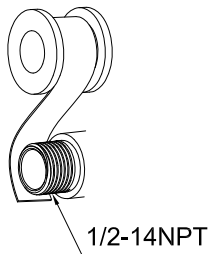
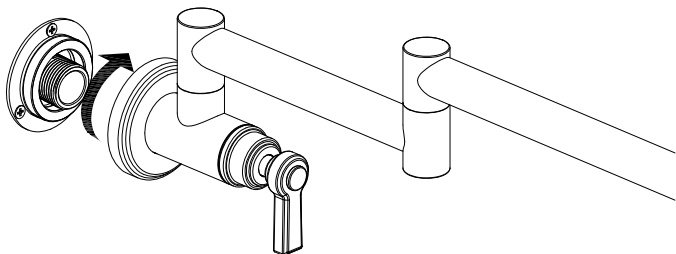
1a**1b**

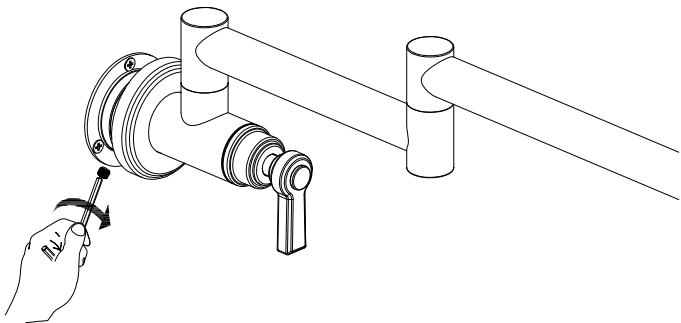
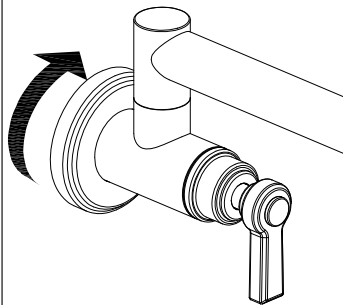
2



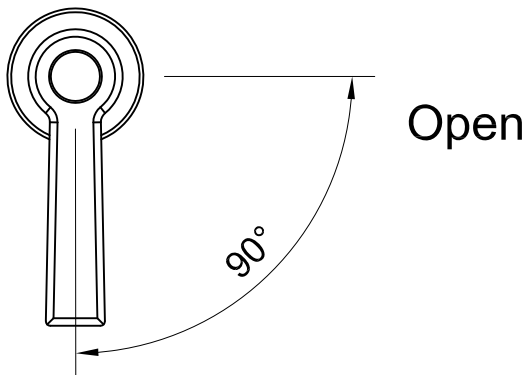
3



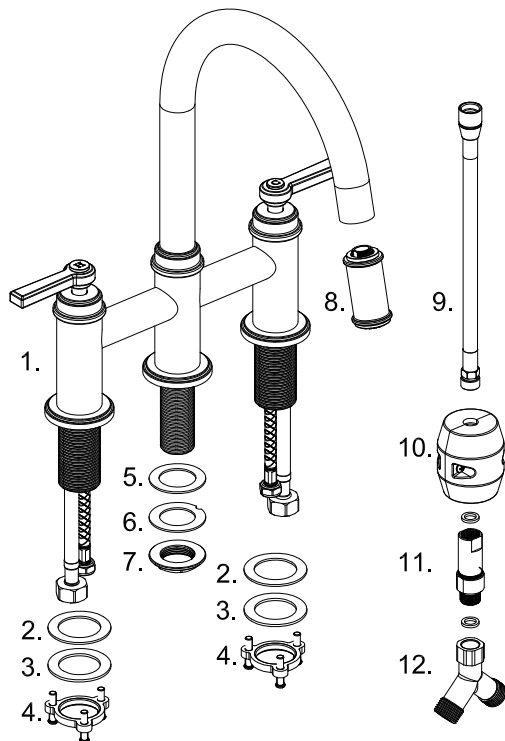
4**4a****5**

6**6a**

7



BRIDGE KITCHEN FAUCETS



1.Faucet Body

2.Rubber Washer

3.Metal Washer

4.Tie-down Nut and Screws

5.Rubber Washer

6.Metal Washer

7.Tie-down Nut

8.Spray Head

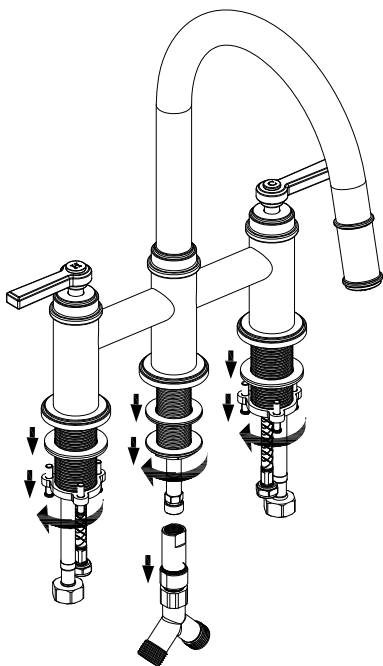
9.Hose

10.Weight

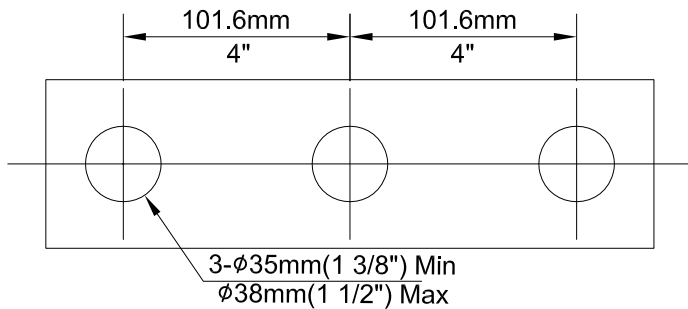
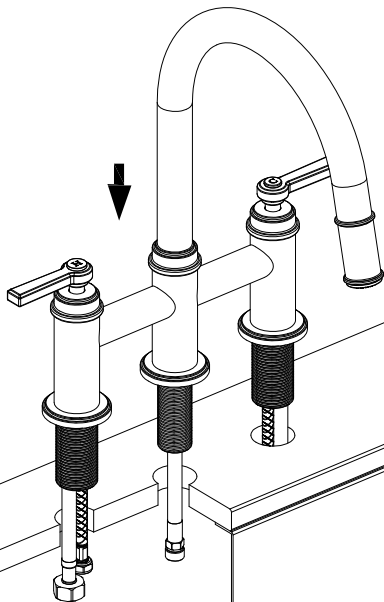
11.Check Valve Assembly

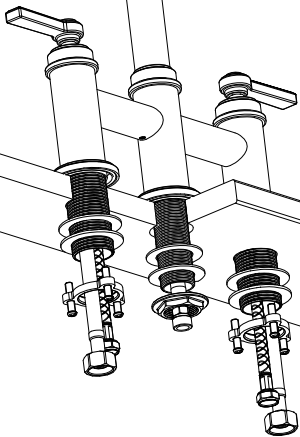
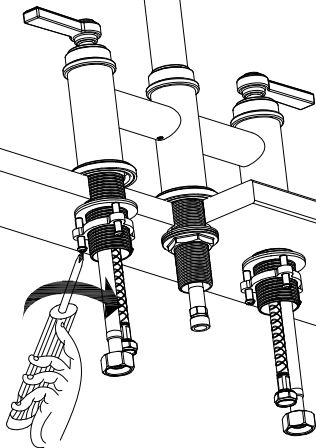
12.Y-Adaptor

1

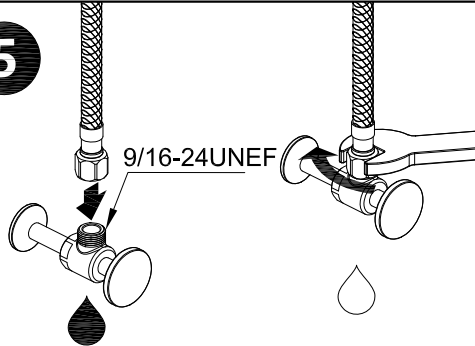


2

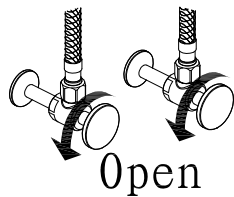


3**4**

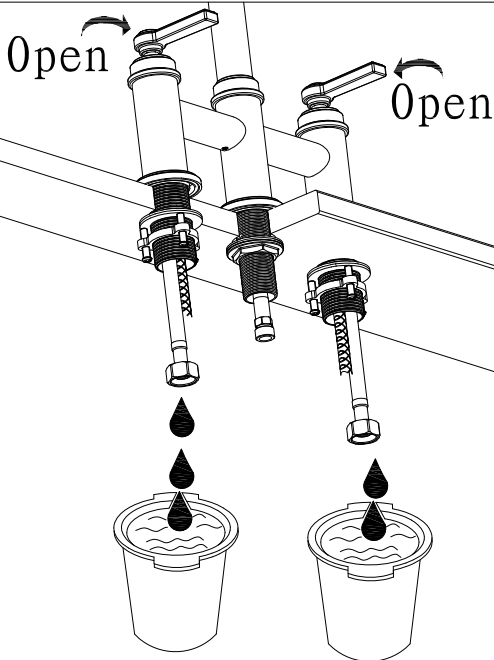
5



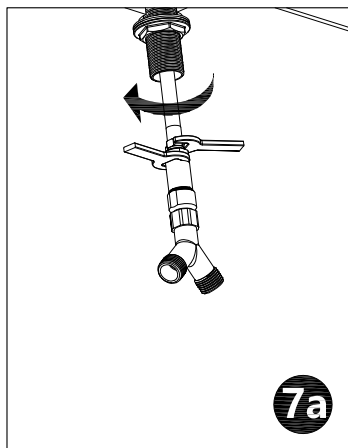
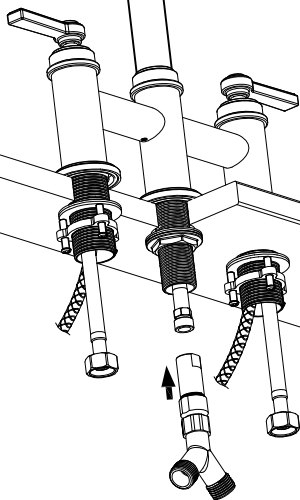
5a



6

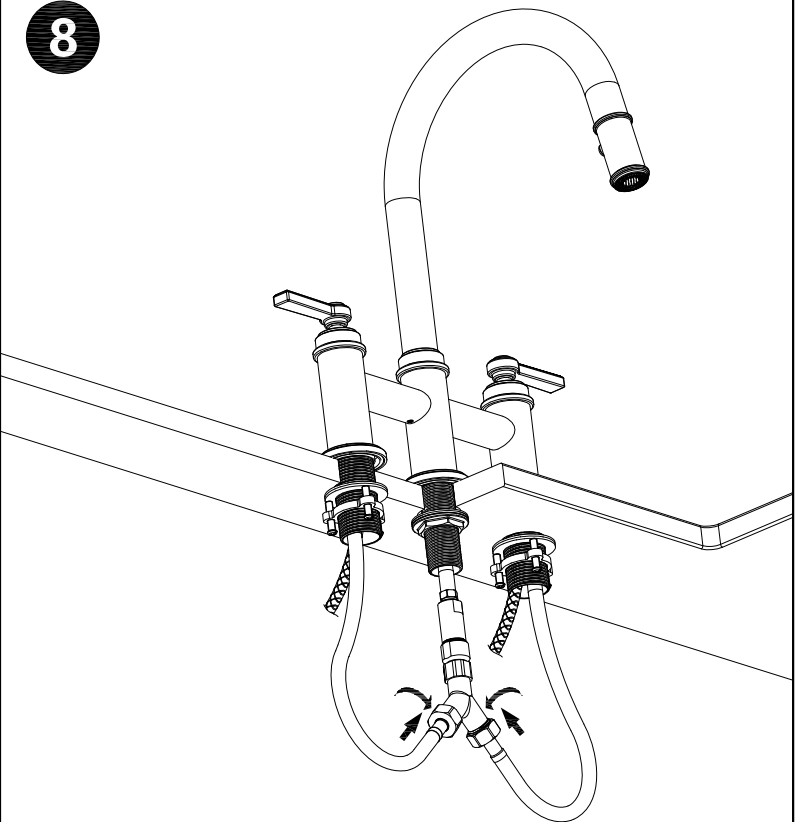


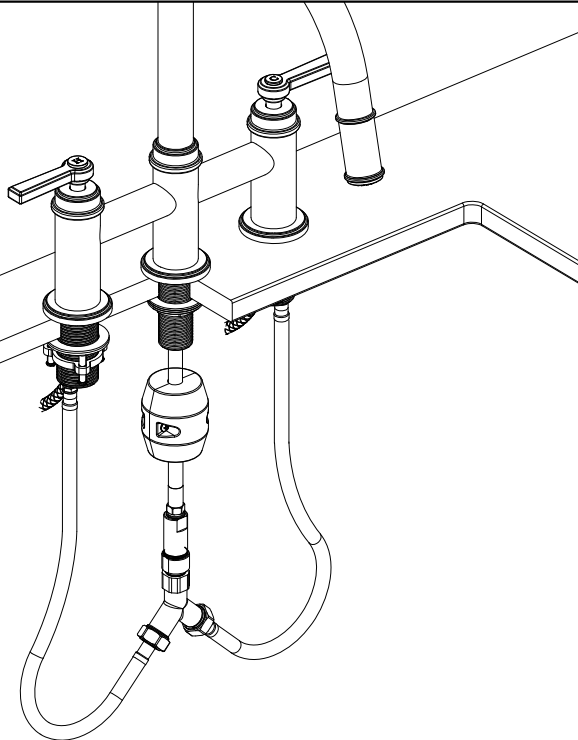
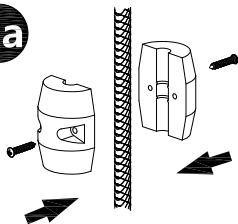
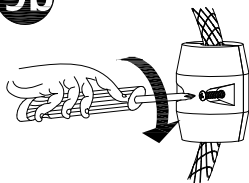
7



7a

8



9**9a****9b**

10

