

CARINTHIA

3/4" HIGH FLOW THERMOSTATIC VALVE

VT.CX.150

Description

- VE.150 - 3/4" High flow thermostatic valve
- TM.CX.150 - Trim for 3/4" high flow valve

Flow Rate

- 12 gpm | 45 lpm | 60 psi

Cartridge

- CE.2300.TT - Thermostatic cartridge

control handle

Available Finishes

- Chrome (CC)
- Brushed Nickel (BN)
- Polished Nickel (PN)
- Brushed Gold (BG)
- Chrome/Matte Black (CB)
- Brushed Nickel/Matte Black (BB)
- Polished Nickel/Matte Black (PB)
- Brushed Gold/Matte Black (BGB)

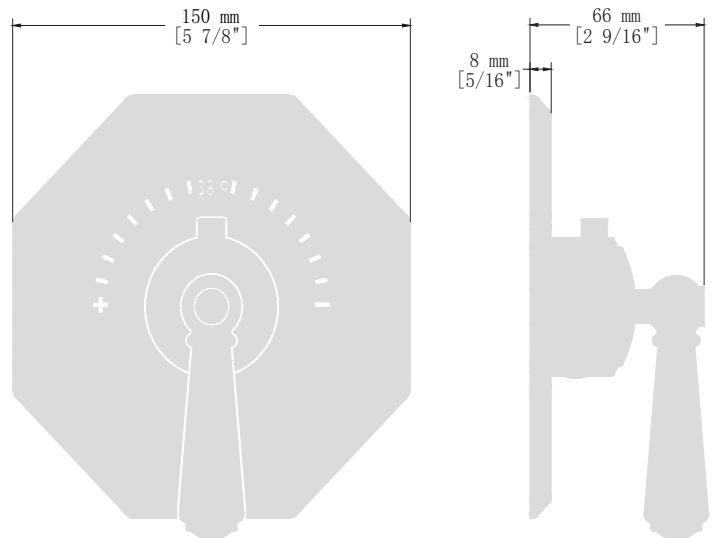
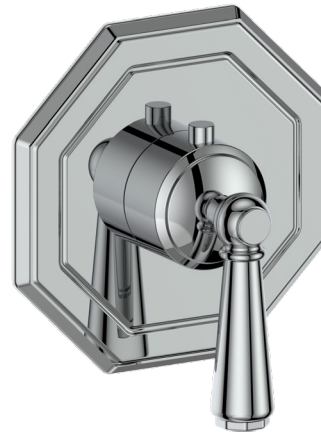
(Model Pictured: Chrome)

Codes / Standards

- Uniform Plumbing Code (UPC®)
- ASME A112.18.1/CSA B125.1

Warranty

- Limited lifetime warranty
(see full warranty for details)



3/4" HIGH-FLOW THERMOSTATIC VALVE WITH 4 VOLUME CONTROL

VE.450

Description

- 3/4" high flow valve with thermostatic cartridge and 4 separate volume control
- 3/4" female NPT inlet connections

Flow Rate

- 12 gpm | 45 lpm | 60 psi

Cartridge

- CE.2300.TT - thermostatic cartridge
- CE.1700.R - volume control cartridge

Warranty

- Limited lifetime warranty
(see full warranty for details)

Codes / Standards

- Uniform Plumbing Code (UPC®)
- ASME A112.18.1/CSA B125.1

