

WÖRGL

3-WAY THERMOSTATIC SHOWER SYSTEM

SET.WL.320.810

Components Included

- **VT.WL.320** - Thermostatic valve (VE.320) and trim with ceramic disk cartridge and 3-way diverter
- **SH.02.0808** - 8" round stainless steel shower head
- **WA.02.16** - 16" wall mount shower arm with ½" female NPT connection
- **BH.03.03** - 31" sliding shower bar with hose and 3 function hand shower (HS.02.03)
- **EC.02.01** - Round brass elbow connector with ½" female NPT connection
- **EJ.02.01.CC** - Round built-in body jet with ½" female NPT connection (x4)

Available Finishes

- Chrome (CC)
- Brushed Nickel (BN)
- Matte Black (MB)
- Brushed Gold (BG)

(Model Pictured: Chrome)

Codes / Standards

- Uniform Plumbing Code (UPC®)
- ASME A112.18.1/CSA B125.1
- ASSE 1016

Warranty

- Valve & cartridge - limited lifetime warranty
- Components - 3 year limited warranty
(see full warranty for details)



WÖRGL

3-WAY THERMOSTATIC VALVE & TRIM

VT.WL.320

Description

- VE.320 thermostatic valve with ceramic disk cartridge and 3-way diverter
- 5 positions

Flow Rate

- 8.4 gpm | 31.9 lpm | 80 psi

Cartridge

- CE.1401.TT - cartridge
- CE.1409.DR - diverter

Available Finishes

- Chrome (CC)
- Brushed Nickel (BN)
- Matte Black (MB)
- Brushed Gold (BG)

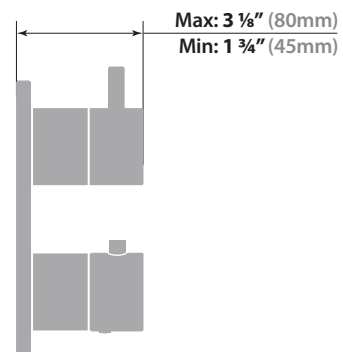
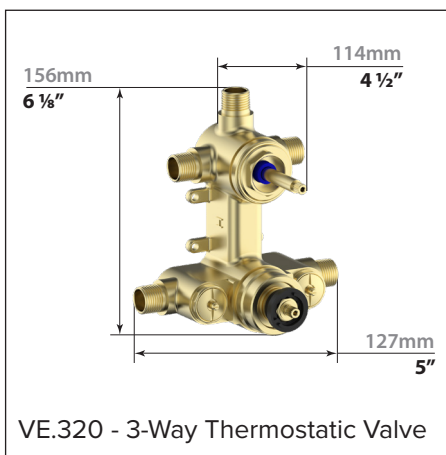
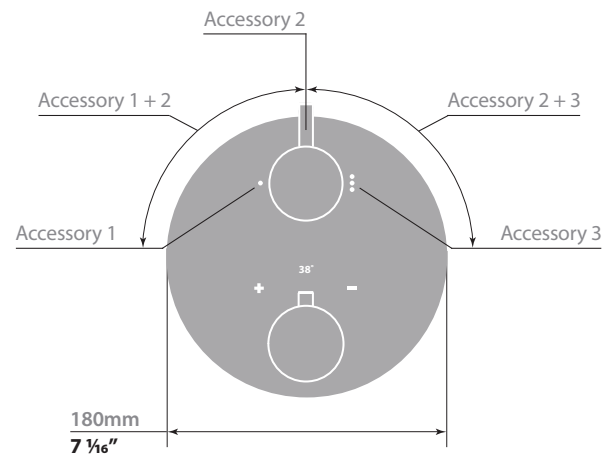
(Model Pictured: Chrome)

Codes / Standards

- Uniform Plumbing Code (UPC®)
- ASME A112.18.1/CSA B125.1
- ASSE 1016

Warranty

- Limited lifetime warranty



16" WALL ARM

WA.02.16

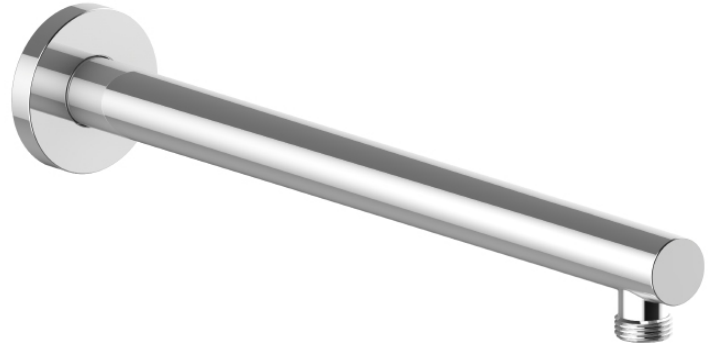
Description

- 16" wall mount shower arm with 1/2" female NPT connection
- Round pipe with round plate

Available Finishes

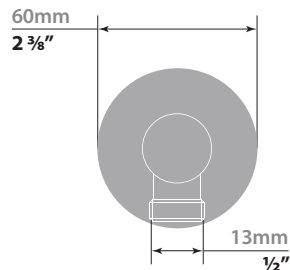
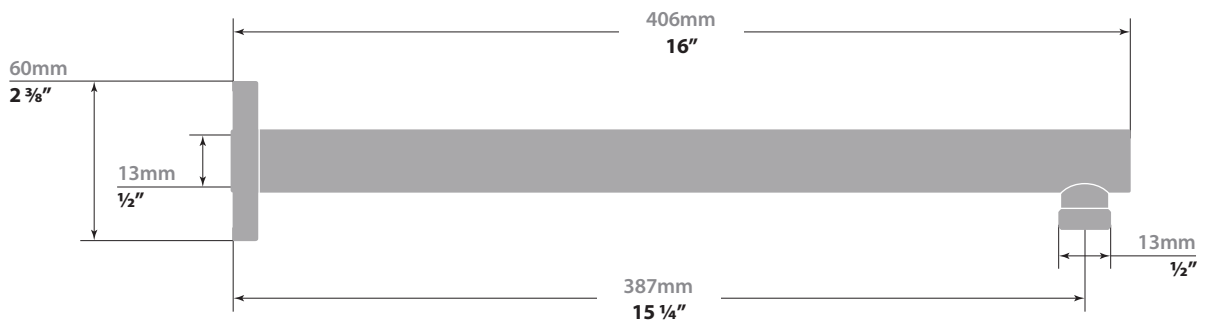
- Chrome (CC)
- Brushed Nickel (BN)
- Glossy White / Chrome (CW)
- Matte Black (MB)
- Brushed Gold (BG)

(Model Pictured: Chrome)



Warranty

- 3 year limited warranty (see full warranty for details)



8" ROUND SHOWER HEAD

SH.02.0808

Description

- 8" round stainless steel shower head
- Anti-limestone technology

Flow Rate

- 2.0 gpm | 7.6 lpm | 80 psi

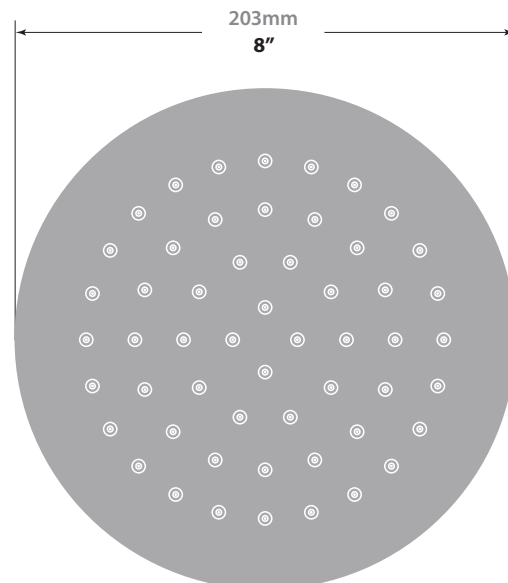
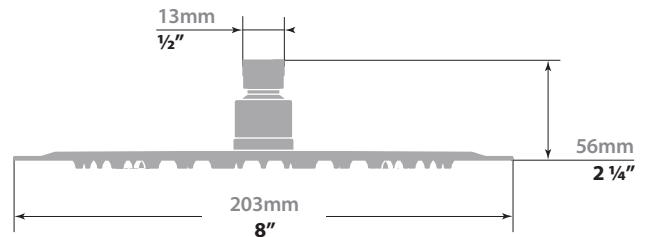
Available Finishes

- Chrome (CC)
- Brushed Nickel (BN)
- Matte Black (MB)
- Brushed Gold (BG)

(Model Pictured: Chrome)

Warranty

- 3 year limited warranty
(see full warranty for details)



WÖRGL

SLIDING SHOWER BAR WITH HANDSHOWER

BH.03.03

Description

- SB.02.31 - 31" sliding shower bar
- HE.150 - 59" hose
- HS.03.03 - 3-function hand shower

Flow Rate

- 2 gpm | 7.6 lpm | 60 psi

Available Finishes

- Chrome (CC)
- Brushed Nickel (BN)
- Matte Black (MB)
- Brushed Gold (BG)

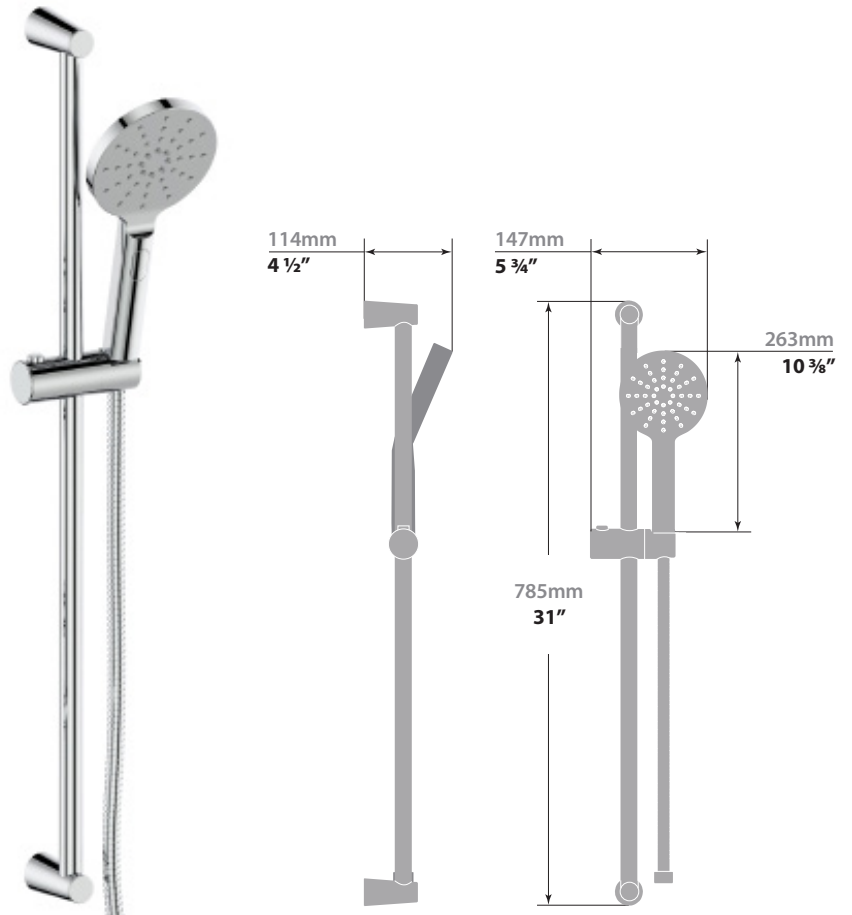
(Model Pictured: Chrome)

Codes / Standards

- Uniform Plumbing Code (UPC®)
- ASME A112.18.1/CSA B125.1
- ASSE 1016

Warranty

- Limited lifetime warranty



ROUND WALL SUPPLY ELBOW

EC.02.01

Description

- Round brass elbow connector with 1/2" female NPT connection

Available Finishes

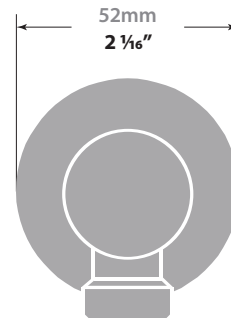
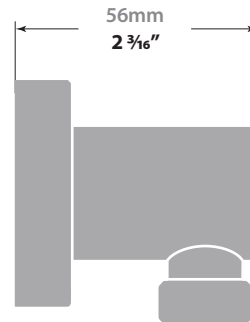
Available Finishes

- Chrome (CC)
- Brushed Nickel (BN)
- Glossy White / Chrome (CW)
- Matte Black (MB)
- Brushed Gold (BG)

(Model Pictured: Chrome)

Warranty

- 3 year limited warranty (see full warranty for details)



ROUND EXPOSED JET

EJ.02.01

Description

- Exposed body jet with 1/2" female NPT connection

Flow Rate

- 1.9 gpm / 7.4 lpm / 60 psi

Available Finishes

- Chrome (CC)
- Matte Black (MB)
- Brushed Nickel (BN)
- Polished Nickel (PN)
- Brushed Gold (BG)

(Model Pictured: Chrome)

Codes / Standards

- Uniform Plumbing Code (UPC®)
- ASME A112.18.1/CSA B125.1

Warranty

- Limited lifetime warranty
(see full warranty for details)

