

### NIVEAU

#### 3/4" HIGH FLOW VALVE SHOWER SYSTEM WITH EXPOSED BODY JETS

SET.NU.350.930

#### Description

- **VE.350** - 3/4" high flow thermostatic valve
- **TM.NU.350** - Trim for 3-way thermostatic valve
- **SH.07.1212** - 12" square full brass shower head
- **WA.01.16** - 16" wall mount shower arm with 1/2" female NPT connection
- **BH.07.03** - 30 1/8" sliding shower bar with hose and 4 function hand shower (HS.04.03)
- **EC.07.01** - Square brass elbow connector with 1/2" female NPT connection
- **BJ.01.01** - Built-in body jet with 1/2" female NPT connection (x3)

#### Available Finishes

- Chrome (CC)
- Matte Black (MB)

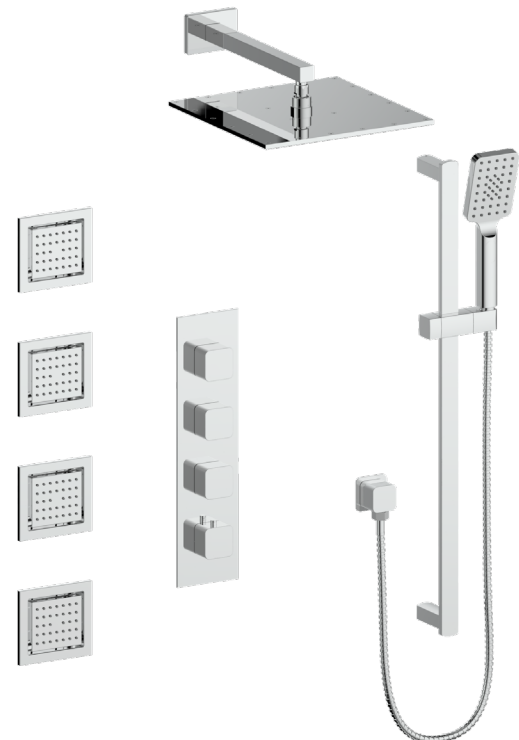
(Model Pictured: Chrome)

#### Codes / Standards

- Uniform Plumbing Code (UPC®)
- ASME A112.18.1/CSA B125.1
- ASSE 1016

#### Warranty

- Valve & cartridge - Limited lifetime warranty
- Components - Limited lifetime warranty (see full warranty for details)



# NIVEAU

## 3-WAY THERMOSTATIC VALVE & TRIM

VT.NU.350

### Description

- VE.350 - 3/4" high flow thermostatic valve
- TM.NU.350 - Trim for 3/4" high flow thermostatic valve

### Flow Rate

- 12 gpm | 45 lpm | 60 psi

### Cartridge

- CE.2300.TT - cartridge
- CE.1700r.DR - diverter

### Available Finishes

- Chrome (CC)
- Matte Black (MB)

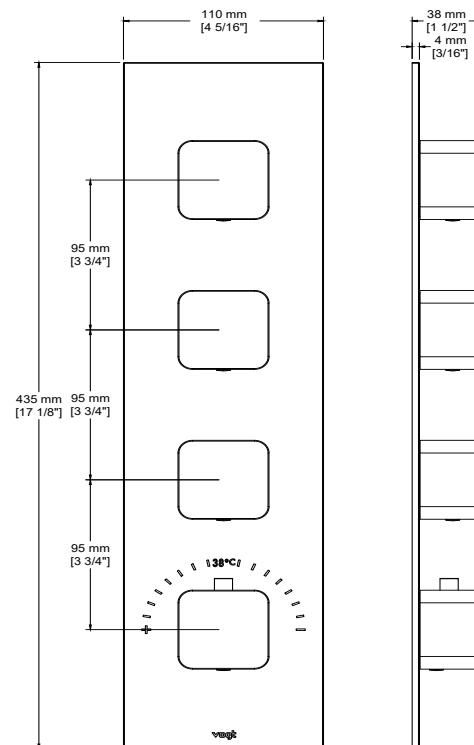
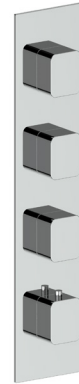
(Model Pictured: Chrome)

### Codes / Standards

- Uniform Plumbing Code (UPC®)
- ASME A112.18.1/CSA B125.1
- ASSE 1016

### Warranty

- Limited lifetime warranty (see full warranty for details)



### 3/4" HIGH-FLOW THERMOSTATIC VALVE WITH THREE VOLUME CONTROLS

VE.350

#### Description

- 3/4" high flow thermostatic valve with three volume control
- 1/2" male NPT connections

#### Flow Rate

- 12 gpm | 45 lpm | 60 psi

#### Cartridge

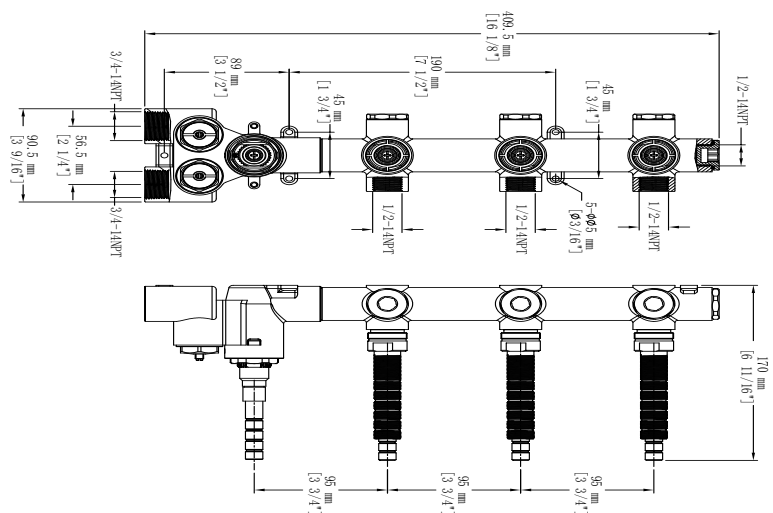
- CE.2300.TT cartridge
- CE.1700R.DR diverter

#### Codes / Standards

- Uniform Plumbing Code (UPC®)
- ASME A112.18.1/CSA B125.1
- ASSE 1016

#### Warranty

- Limited lifetime warranty (see full warranty for more details)



### 16" WALL ARM

WA.01.16

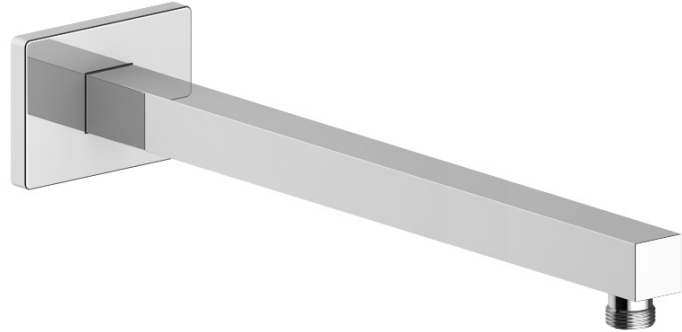
#### Description

- 16" wall mount shower arm with 1/2" female NPT connection
- Square pipe with rectangular escutcheon plate

#### Available Finishes

- Chrome (CC)
- Brushed Nickel (BN)
- Matte Black (MB)
- Brushed Gold (BG)

(Model Pictured: Chrome)

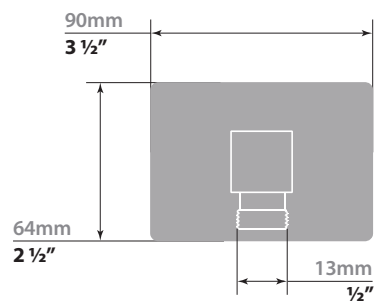
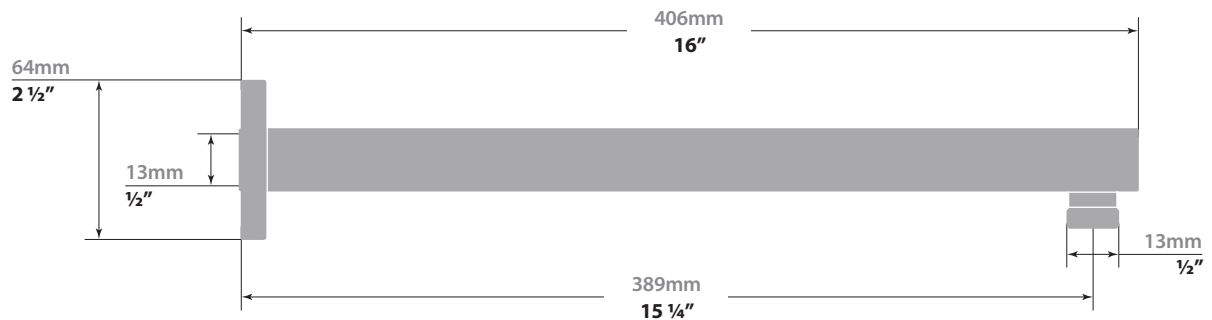


#### Codes / Standards

- Uniform Plumbing Code (UPC®)
- ASME A112.18.1/CSA B125.1

#### Warranty

- Limited lifetime warranty



### 12" SQUARE SHOWER HEAD

SH.07.1212

#### Description

- 12" square full brass shower head
- Anti-limescale technology

#### Flow Rate

- 2 gpm | 7.6 lpm | 60 psi

#### Available Finishes

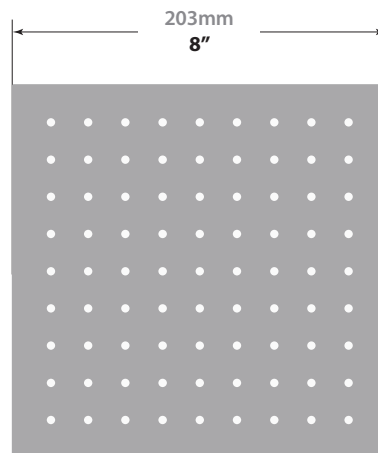
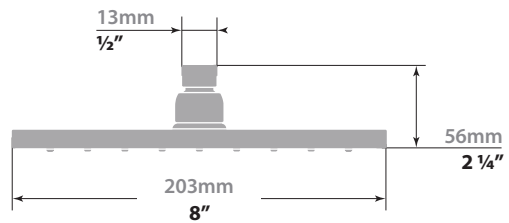
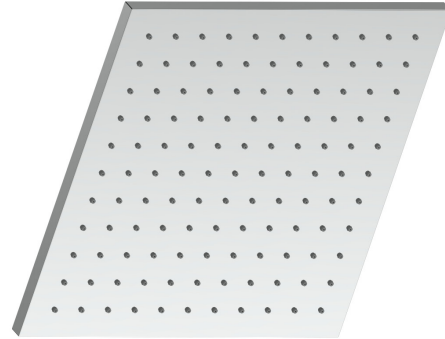
- Chrome (CC)
- Matte Black (MB)

(Model Pictured: Chrome)

#### Codes / Standards

- Uniform Plumbing Code (UPC®)
- ASME A112.18.1/CSA B125.1

#### Warranty



### NIVEAU

#### SLIDING SHOWER BAR WITH HANDSHOWER

BH.07.03

#### Description

- SB.07.30 - 30 $\frac{1}{8}$ " sliding shower bar
- HE.150 - 59" hose
- HS.04.03 - 4-function hand shower

#### Flow Rate

- 2 gpm | 7.6 lpm | 60 psi

#### Available Finishes

- Chrome (CC)
- Matte Black (MB)

(Model Pictured: Chrome)

#### Codes / Standards

- Uniform Plumbing Code (UPC®)
- ASME A112.18.1/CSA B125.1
- ASSE 1016

#### Warranty

- Limited lifetime warranty  
(see full warranty for details)



### SQUARE WALL SUPPLY ELBOW

EC.07.01

#### Description

- Square brass elbow connector with 1/2" female NPT connection

#### Available Finishes

- Chrome (CC)
- Matte Black (MB)
- Brushed Gold (BG)

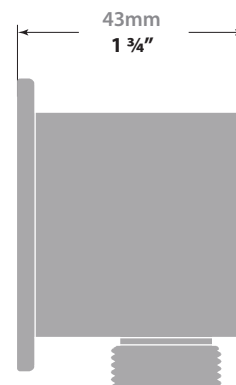
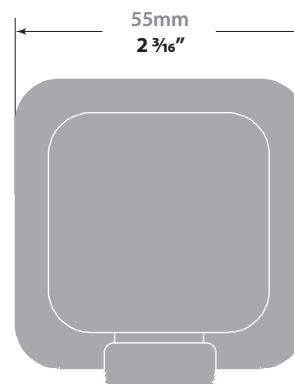
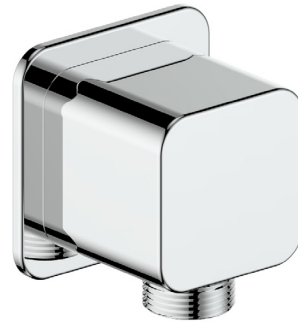
(Model Pictured: Chrome)

#### Codes / Standards

- Uniform Plumbing Code (UPC®)
- ASME A112.18.1/CSA B125.1

#### Warranty

- Limited lifetime warranty



### SQUARE IN-WALL JET

BJ.01.01

#### Description

- Built-in body jet with ½" female NPT connection

#### Flow Rate

- 2.6 gpm | 10 lpm | 60 psi

#### Available Finishes

- Chrome (CC)
- Brushed Nickel (BN)
- Matte Black (MB)
- Brushed Gold (BG)

(Model Pictured: Chrome)

#### Codes / Standards

- Uniform Plumbing Code (UPC®)
- ASME A112.18.1/CSA B125.1

#### Warranty

- Limited lifetime warranty  
(see full warranty for details)

