

NIVEAU

3-WAY THERMOSTATIC SHOWER SYSTEM WITH EXPOSED BODY JETS

SET.NU.320.810

Description

- **VE.320** - Thermostatic valve with integrated 3-way diverter
- **TM.NU.320** - Trim for 3-way thermostatic valve
- **SH.07.0808** - 8" square full brass shower head
- **WA.01.16** - 16" wall mount shower arm with ½" female NPT connection
- **BH.07.03** - 30½" sliding shower bar with hose and 4 function hand shower (HS.04.03)
- **EC.07.01** - Square brass elbow connector with ½" female NPT connection
- **EJ.01.01** - Built-in body jet with ½" female NPT connection (x3)

Available Finishes

- Chrome (CC)
- Matte Black (MB)
- Brushed Gold (BG)

(Model Pictured: Chrome)

Codes / Standards

- Uniform Plumbing Code (UPC®)
- ASME A112.18.1/CSA B125.1
- ASSE 1016

Warranty

- Valve & cartridge - Limited lifetime warranty
- Components - Limited lifetime warranty



NIVEAU

3-WAY THERMOSTATIC VALVE & TRIM

VT.NU.320

Description

- **VE.320** - 1/2" thermostatic valve with 3-way diverter
- **TM.NU.320** - Trim for 3-way thermostatic valve
- 5 positions

Flow Rate

- 6.2 gpm | 23.4 lpm | 60 psi

Cartridge

- CE.1401.TT - cartridge
- CE.1408.DR - diverter

Available Finishes

- Chrome (CC)
- Matte Black (MB)
- Brushed Gold (BG)

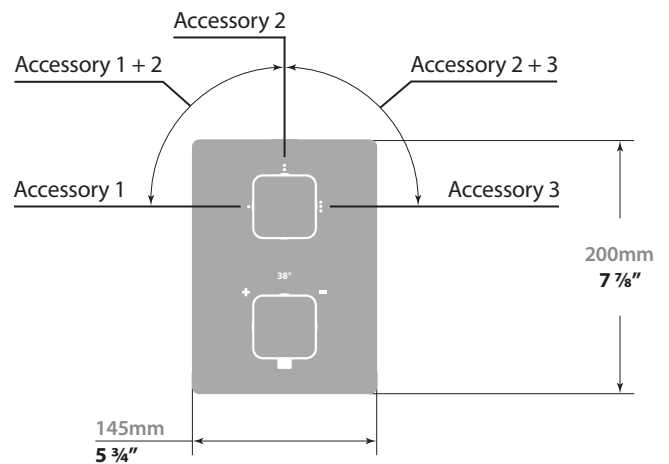
(Model Pictured: Chrome)

Codes / Standards

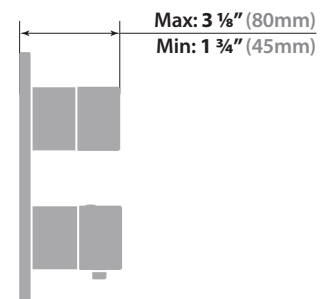
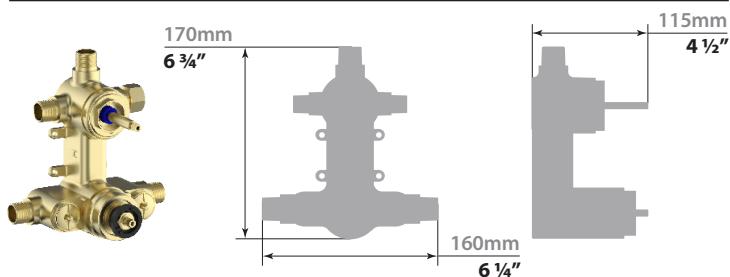
- Uniform Plumbing Code (UPC®)
- ASME A112.18.1/CSA B125.1
- ASSE 1016

Warranty

- Limited lifetime warranty (see full warranty for details)



VE.320 - 3-Way Thermostatic Valve



3-WAY THERMOSTATIC VALVE

VE.320

Description

- Valve with thermostatic cartridge and 3-way diverter
- ½" male NPT connections

Flow Rate

- 6.2 gpm | 23.4 lpm | 60 psi

Cartridge

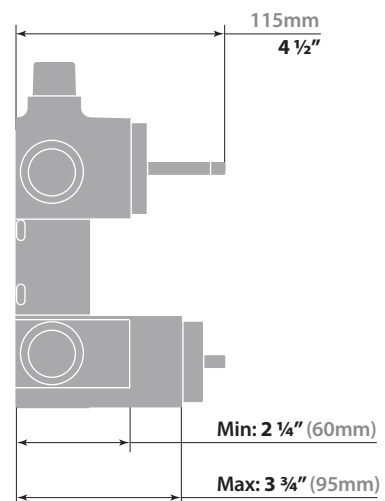
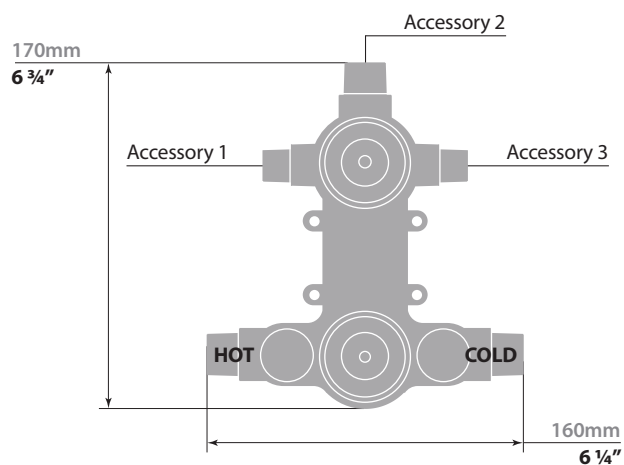
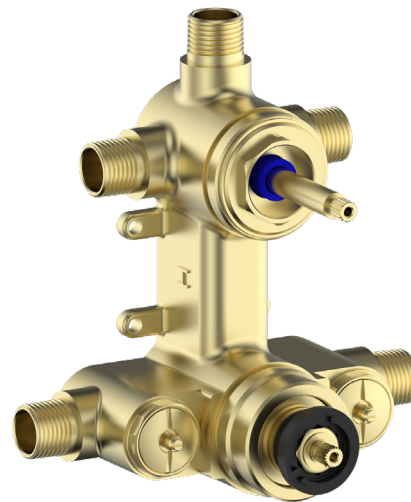
- CE.1401.TT cartridge
- CE.1408.DR diverter

Codes / Standards

- Uniform Plumbing Code (UPC®)
- ASME A112.18.1/CSA B125.1
- ASSE 1016

Warranty

- Limited lifetime warranty (see full warranty for more details)



16" WALL ARM

WA.01.16

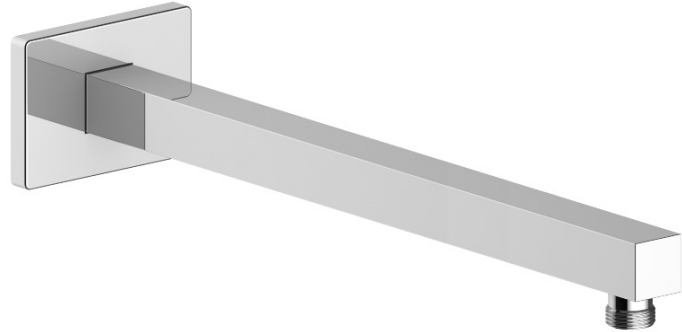
Description

- 16" wall mount shower arm with 1/2" female NPT connection
- Square pipe with rectangular escutcheon plate

Available Finishes

- Chrome (CC)
- Brushed Nickel (BN)
- Matte Black (MB)
- Brushed Gold (BG)

(Model Pictured: Chrome)

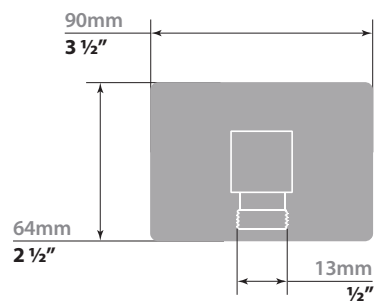
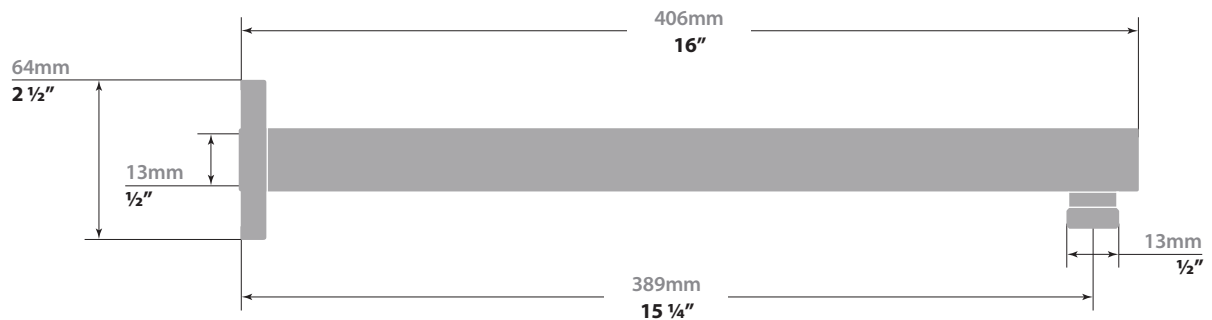


Codes / Standards

- Uniform Plumbing Code (UPC®)
- ASME A112.18.1/CSA B125.1

Warranty

- Limited lifetime warranty



8" SQUARE SHOWER HEAD

SH.07.0808

Description

- 8" square full brass shower head
- Anti-limescale technology

Flow Rate

- 2 gpm | 7.6 lpm | 60 psi

Available Finishes

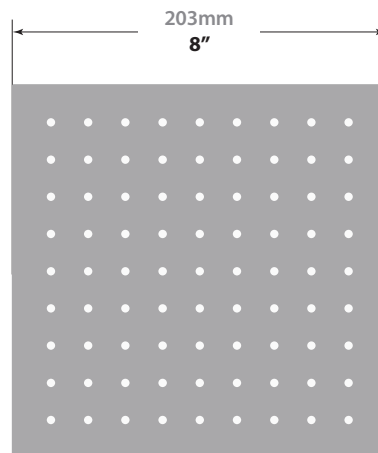
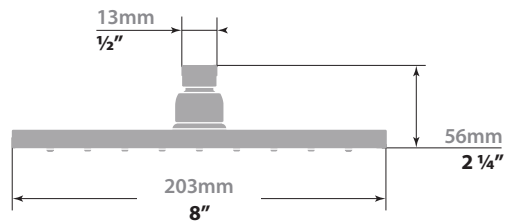
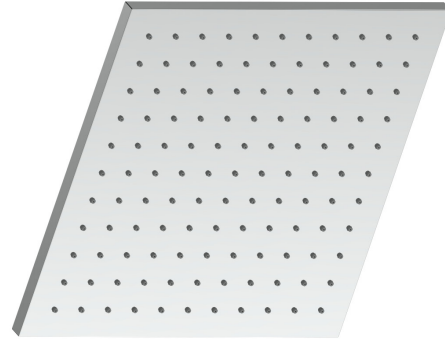
- Chrome (CC)
- Matte Black (MB)
- Brushed Gold (BG)

(Model Pictured: Chrome)

Codes / Standards

- Uniform Plumbing Code (UPC®)
- ASME A112.18.1/CSA B125.1

Warranty



NIVEAU

SLIDING SHOWER BAR WITH HANDSHOWER

BH.07.03

Description

- SB.07.30 - 30 $\frac{1}{8}$ " sliding shower bar
- HE.150 - 59" hose
- HS.04.03 - 4-function hand shower

Flow Rate

- 2 gpm | 7.6 lpm | 60 psi

Available Finishes

- Chrome (CC)
- Matte Black (MB)
- Brushed Gold (BG)

(Model Pictured: Chrome)

Codes / Standards

- Uniform Plumbing Code (UPC®)
- ASME A112.18.1/CSA B125.1
- ASSE 1016

Warranty

- Limited lifetime warranty
(see full warranty for details)



SQUARE WALL SUPPLY ELBOW

EC.07.01

Description

- Square brass elbow connector with 1/2" female NPT connection

Available Finishes

- Chrome (CC)
- Matte Black (MB)
- Brushed Gold (BG)

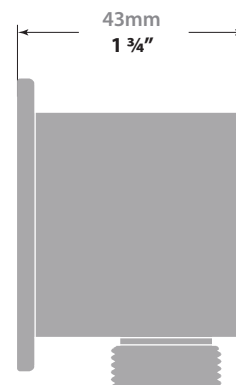
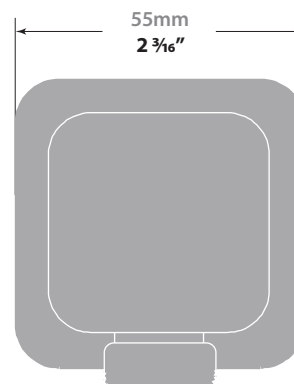
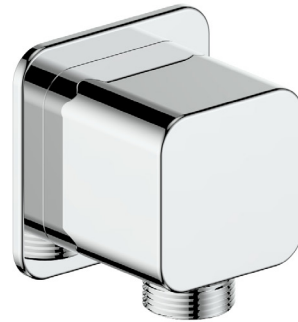
(Model Pictured: Chrome)

Codes / Standards

- Uniform Plumbing Code (UPC®)
- ASME A112.18.1/CSA B125.1

Warranty

- Limited lifetime warranty



SQUARE EXPOSED JET

EJ.01.01

Description

- Exposed body jet with 1/2" female NPT connection

Flow Rate

- 1.9 gpm | 7.4 lpm | 60 psi

Available Finishes

- Chrome (CC)
- Brushed Nickel (BN)
- Matte Black (MB)
- Brushed Gold (BG)

(Model Pictured: Chrome)

Codes / Standards

- Uniform Plumbing Code (UPC®)
- ASME A112.18.1/CSA B125.1

Warranty

- Limited lifetime warranty

