

DRAVA 3/4" HIGH FLOW THERMOSTATIC SHOWER SYSTEM WITH JETS

SET.DA.350.936

Description

- **VE.350** - 3/4" High flow thermostatic valve with 3 volume controls
- **TM.DA.350** - Trim for 3/4" high flow thermostatic valve
- **SH.06.1212** - 12" round full brass shower head
- **WA.02.16** - 16" Wallmount shower arm
- **BH.06.02** - sliding shower bar with hose and 4 function hand shower
- **EC.02.01** - Round brass elbow connector with 1/2" female NPT connection
- **BJ.02.01** - Round built-in body jet x4

Available Finishes

- Chrome (CC)
- Matte Black (MB)
- Matte Black / Chrome (CB)
- Matte Black / Brushed Gold (BGB)

Codes / Standards

- Uniform Plumbing Code (UPC®)
- ASME A112.18.1/CSA B125.1
- ASSE 1016

Warranty

- Limited lifetime warranty against all manufacturing defects to the original consumer purchaser (see full warranty for more details)
-



DRAVA

3/4" HIGH FLOW THERMOSTATIC VALVE AND TRIM WITH 3 VOLUME

VT.DA.350

Description

- **VE.350** - 3/4" High flow thermostatic valve with 3 volume controls
- **TM.DA.350** - Trim for 3/4" high flow valve

Flow Rate

- 12 gpm | 45 lpm | 60 psi

Cartridge

- CE.2300.TT - Thermostatic cartridge
- CE.1700.R - Volume control cartridge



Available Finishes

- Chrome (CC)
- Matte Black (MB)
- Matte Black / Chrome (CB)
- Matte Black / Brushed Gold (BGB)

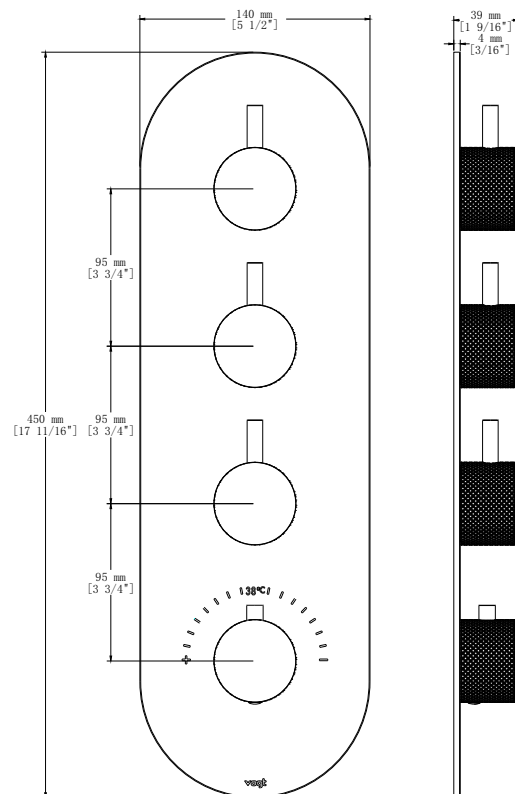
(Model Pictured: Chrome)

Codes / Standards

- Uniform Plumbing Code (UPC®)
- ASME A112.18.1/CSA B125.1

Warranty

- Limited lifetime warranty
(see full warranty for details)



3/4" HIGH-FLOW THERMOSTATIC VALVE WITH 3 VOLUME CONTROLS

VE.350

Description

- 3/4" high flow valve with thermostatic cartridge and 3 separate volume control
- 3/4" female NPT inlet connections
- 1/2" female NPT outlet connections

Flow Rate

- 12 gpm | 45 lpm | 60 psi

Cartridge

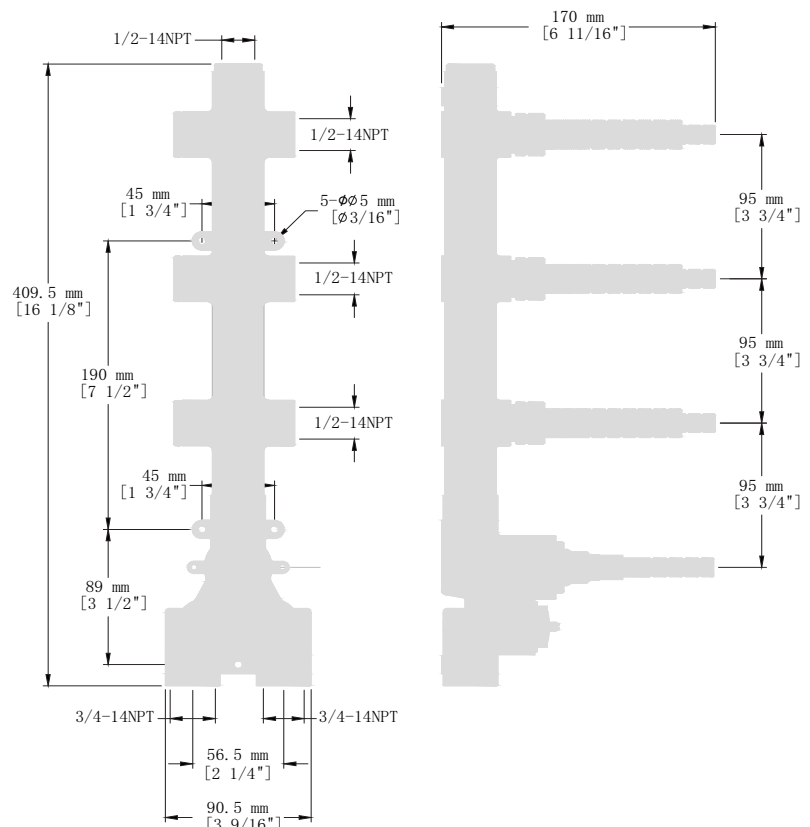
- CE.2300.TT - thermostatic cartridge
- CE.1700.R - volume control cartridge

Warranty

- Limited lifetime warranty (see full warranty for details)

Codes / Standards

- Uniform Plumbing Code (UPC®)
- ASME A112.18.1/CSA B125.1



16" WALL ARM

WA.02.16

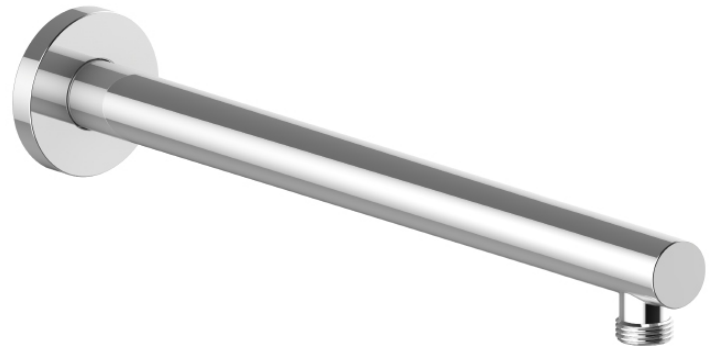
Description

- 16" wall mount shower arm with 1/2" female NPT connection
- Round pipe with round escutcheon plate

Available Finishes

- Chrome (CC)
- Brushed Nickel (BN)
- Glossy White / Chrome (CW)
- Matte Black (MB)
- Brushed Gold (BG)

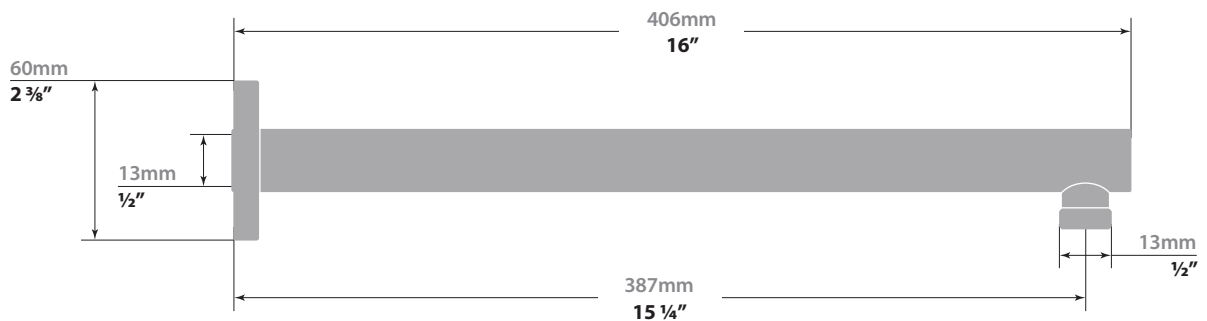
(Model Pictured: Chrome)



Codes / Standards

- Uniform Plumbing Code (UPC®)
- ASME A112.18.1/CSA B125.1

Warranty



12" ROUND SHOWER HEAD

SH.06.1212

Description

- 12" round full brass shower head
- Anti-limescale technology

Flow Rate

- 2.2 gpm | 8.3 lpm | 60 psi

Available Finishes

- Chrome (CC)
- Matte Black (MB)
- Polished Nickel (PN)
- Brushed Gold (BG)

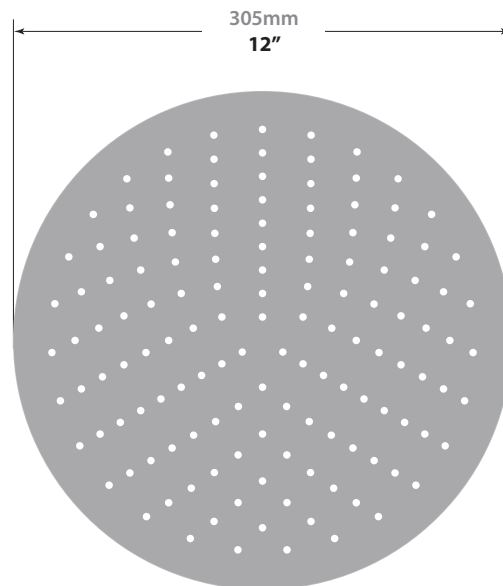
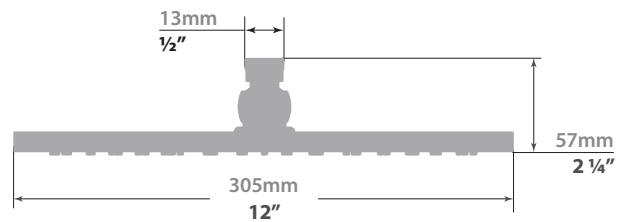
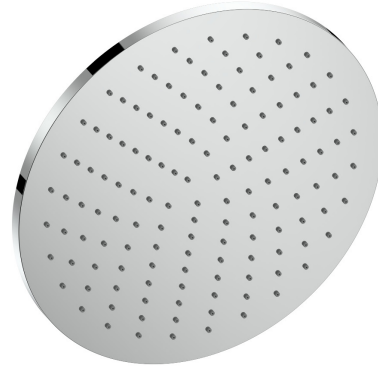
(Model Pictured: Chrome)

Codes / Standards

- Uniform Plumbing Code (UPC®)
- ASME A112.18.1/CSA B125.1

Warranty

- Limited lifetime warranty
(see full warranty for details)



DRAVA

SLIDING SHOWER BAR WITH HANDSHOWER

BH.06.02

Description

- SB.06.27 - 27" sliding shower bar
- HE.150 - 59" hose
- HS.06.02 - 4-function hand shower

Flow Rate

- 2 gpm | 7.6 lpm | 60 psi

Available Finishes

- Chrome (CC)
- Matte Black (MB)
- Matte Black / Chrome (CB)
- Matte Black / Brushed Gold (BGB)

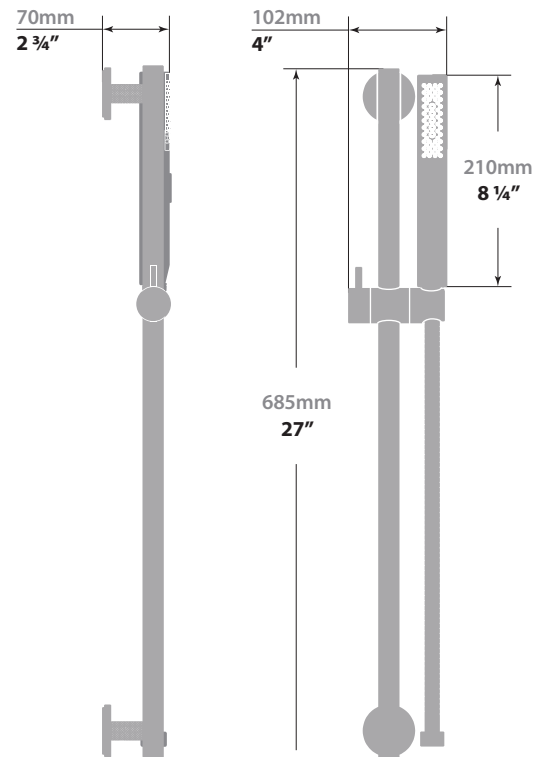
(Model Pictured: Chrome)

Codes / Standards

- Uniform Plumbing Code (UPC®)
- ASME A112.18.1/CSA B125.1
- ASSE 1016

Warranty

- Limited lifetime warranty
(see full warranty for details)



ROUND WALL SUPPLY ELBOW

EC.02.01

Description

- Round brass elbow connector with 1/2" female NPT connection

Available Finishes

- Chrome (CC)
- Brushed Nickel (BN)
- Glossy White / Chrome (CW)
- Matte Black (MB)
- Brushed Gold (BG)

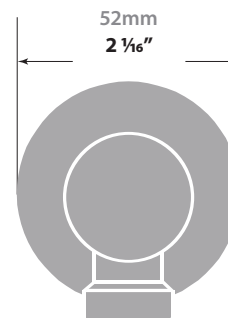
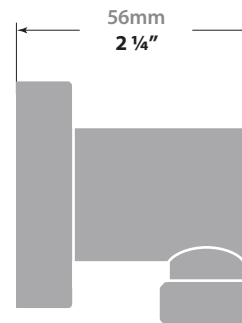
(Model Pictured: Chrome)

Codes / Standards

- Uniform Plumbing Code (UPC®)
- ASME A112.18.1/CSA B125.1

Warranty

- Limited lifetime warranty



ROUND RECESSED JET

BJ.02.01

Description

- Recessed body jet with 1/2" female NPT connection

Available Finishes

- Chrome (CC)
- Brushed Nickel (BN)
- Polished Nickel (PN)
- Matte Black 9MB)
- Brushed Gold (BG)

(Model Pictured: Chrome)

Warranty

- Limited lifetime warranty (see full warranty for details)

Codes / Standards

- Uniform Plumbing Code (UPC®)
- ASME A112.18.1/CSA B125.1

