

DRAVA BAR / PREP FAUCET

KF.13D2.1214

Description

- Magnetic mechanism
- Pull-out spray with 2 stream functions and built-in swivel
- Solid brass construction
- Brass faucet spray head
- 3/8" compression fitting

Cartridge

- CE.1735.P - ceramic disk cartridge

Flow Rate

- 1.75 gpm | 6.6 lpm | 60 psi

Finishes Available

- Chrome (CC)
- Stainless Steel (SS)
- Matte Black (MB)
- Matte Gold (MG)
- Chrome / Matte Black (CB)
- Stainless Steel / Matte Black (SB)
- Brushed Gold / Matte Black (GB)

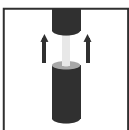
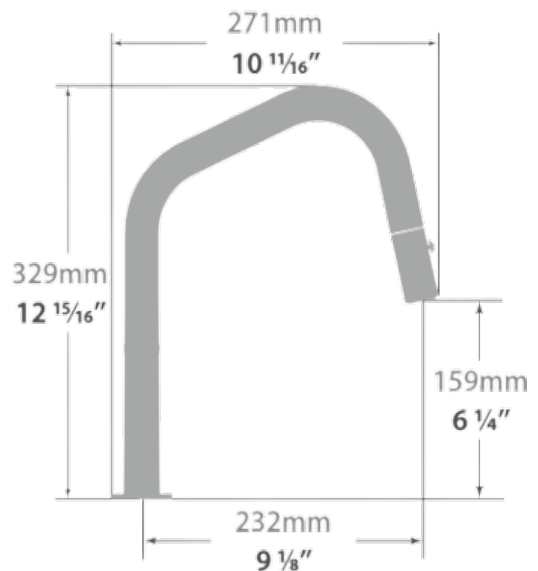
(Model Pictured: Chrome)

Codes / Standards

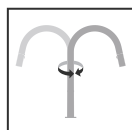
- Uniform Plumbing Code (UPC®)
- ASME A112.18.1/CSA B125.1
- NSF 372
- NSF/ANSI 61

Warranty

- Limited lifetime warranty against all manufacturing defects to the original consumer purchaser (see full warranty for more details)



Magnetic
Mechanism



360° Swivel
Spout