

### CARINTHIA

#### 3 WAY THERMOSTATIC SHOWER SYSTEM

SET.CX1.320.310

#### Description

- **VE.320** - Thermostatic valve with integrated 3-way diverter
- **TM.CX.320** - Trim for 3-way thermostatic valve
- **SH.09.0808** - 8" round full brass shower head
- **WA.10.16** - 16" wall mount shower arm with ½" female NPT connection
- **BH.10.05** - sliding shower bar with hose and 4 function hand shower
- **EC.10.01** - Round brass elbow connector with ½" female NPT connection
- **TS.10.07** - 7" brass spout

#### Available Handles



Round ( 1 )



Octagonal ( 2 )



Cross ( 3 )

#### Available Finishes

- Chrome (CC)
- Brushed Nickel (BN)
- Polished Nickel (PN)
- Brushed Gold (BG)
- Chrome/Matte Black (CB)
- Brushed Nickel/Matte Black (BB)
- Polished Nickel/Matte Black (PB)
- Brushed Gold/Matte Black (BGB)

#### Codes / Standards

- Uniform Plumbing Code (UPC®)
- ASME A112.18.1/CSA B125.1
- ASSE 1016

#### Warranty

- Limited lifetime warranty against all manufacturing defects to the original consumer purchaser (see full warranty for more details)



# CARINTHIA

## 2-WAY THERMOSTATIC VALVE & TRIM

VT.CX.320

### Description

- VE.320 - 1/2" thermostatic valve with 3-way diverter
- TM.CX.320 - Trim for 3-way thermostatic valve
- 4 positions

### Flow Rate

- 6.1 gpm | 23 lpm | 60 psi

### Cartridge

- CE.1401.TT - cartridge
- CE.1408.DR - diverter



### Available Handles



Round (1) Octagonal (2) Cross (3)

\*Available Handle selection only for diverter and volume control handle

### Available Finishes

- Chrome (CC)
- Brushed Nickel (BN)
- Polished Nickel (PN)
- Brushed Gold (BG)
- Chrome/Matte Black (CB)
- Brushed Nickel/Matte Black (BB)
- Polished Nickel/Matte Black (PB)
- Brushed Gold/Matte Black (BGB)

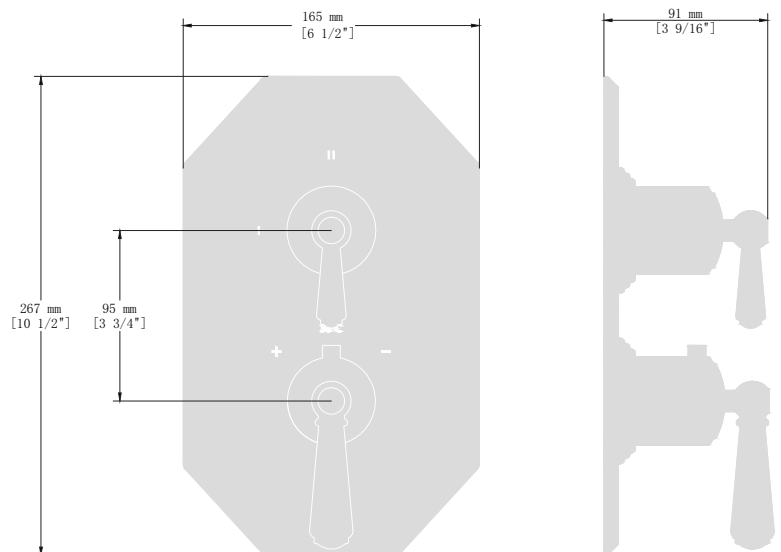
(Model Pictured: Chrome)

### Codes / Standards

- Uniform Plumbing Code (UPC®)
- ASME A112.18.1/CSA B125.1

### Warranty

- Limited lifetime warranty  
(see full warranty for details)



### 2-WAY THERMOSTATIC VALVE

VE.320

#### Description

- Valve with thermostatic cartridge and 3-way diverter
- ½" male NPT connections

#### Flow Rate

- 6.1 gpm | 23 lpm | 60 psi

#### Cartridge

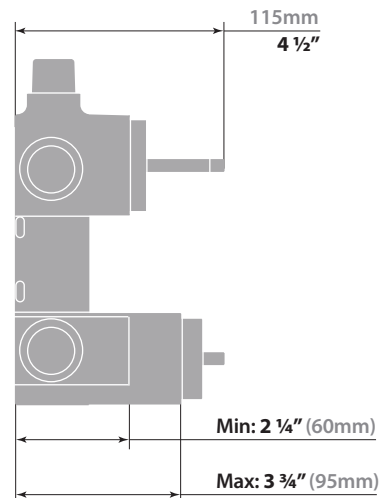
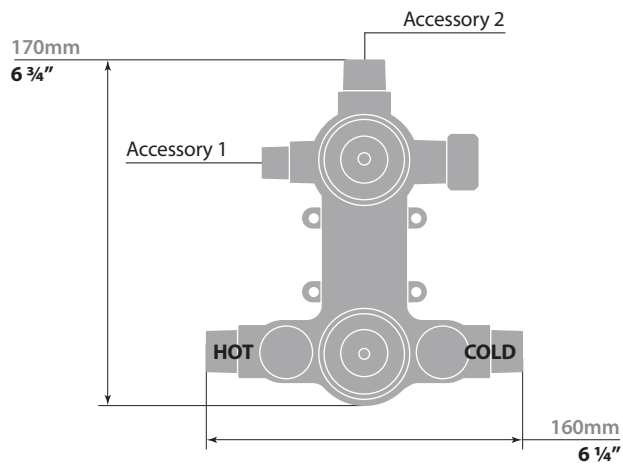
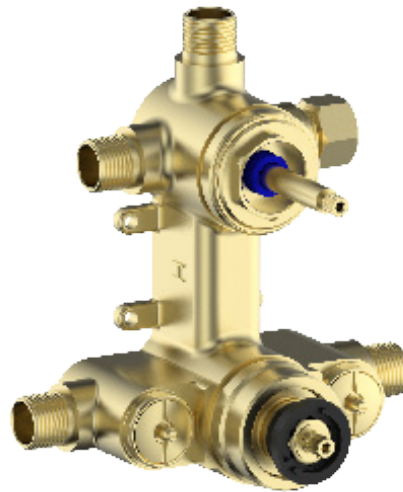
- CE.1401.TT cartridge
- CE.1408.DR diverter

#### Warranty

- Limited lifetime warranty (see full warranty for details)

#### Codes / Standards

- Uniform Plumbing Code (UPC®)
- ASME A112.18.1/CSA B125.1



### CARINTHIA

#### 16" WALL ARM

WA.10.16

#### Description

- 16" wall mount shower arm with 1/2" female NPT connection

#### Available Finishes

- Chrome (CC)
- Brushed Nickel (BN)
- Polished Nickel (PN)
- Brushed Gold (BG)

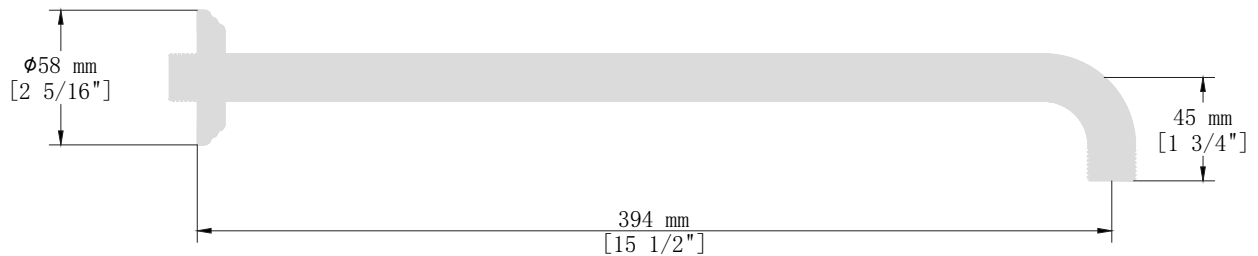
(Model Pictured: Chrome)

#### Warranty

- Limited lifetime warranty (see full warranty for details)

#### Codes / Standards

- Uniform Plumbing Code (UPC®)
- ASME A112.18.1/CSA B125.1



### 8" ROUND SHOWER HEAD

SH.09.0808

#### Description

- 8" round full brass shower head
- Anti-limescale technology

#### Flow Rate

- 2 gpm / 7.6 lpm / 60 psi

#### Available Finishes

- Chrome (CC)
- Brushed Nickel (BN)
- Matte Black (MB)
- Polished Nickel (PN)
- Brushed Gold (BG)

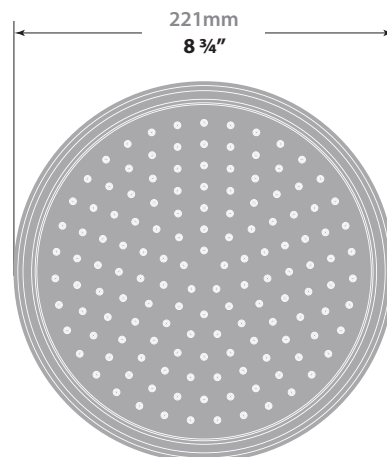
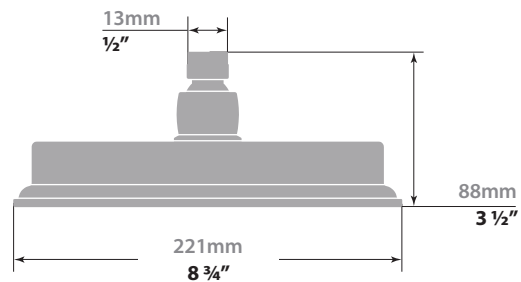
(Model Pictured: Chrome)

#### Codes / Standards

- Uniform Plumbing Code (UPC®)
- ASME A112.18.1/CSA B125.1

#### Warranty

- Limited lifetime warranty  
(see full warranty for details)



### CARINTHIA SLIDING SHOWER BAR

BH.10.05

#### Description

- Sliding shower bar with hose and 4 function hand shower

#### Flow Rate

- 2.0 gpm | 7.6 lpm | 60 psi

#### Available Finishes

- Chrome (CC)
- Brushed Nickel (BN)
- Polished Nickel (PN)
- Brushed Gold (BG)

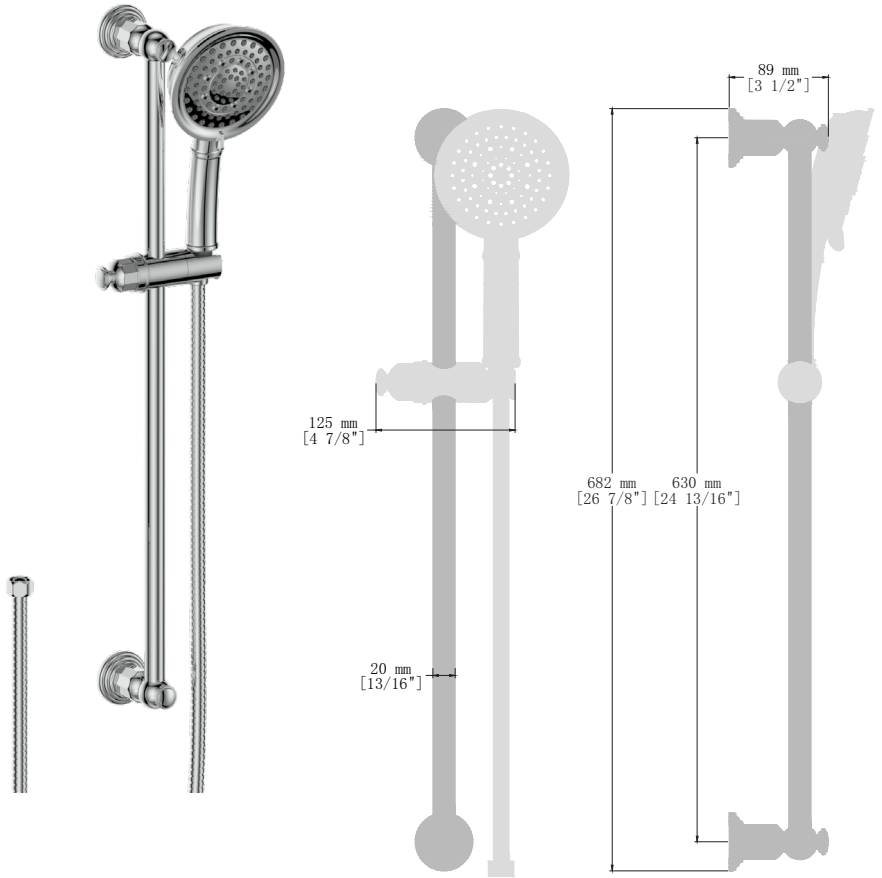
(Model Pictured: Chrome)

#### Codes / Standards

- Uniform Plumbing Code (UPC®)
- ASME A112.18.1/CSA B125.1

#### Warranty

- Limited lifetime warranty  
(see full warranty for details)



# CARINTHIA

## ROUND WALL SUPPLY ELBOW

### EC.10.01

#### Description

- Round brass elbow connector with ½" female NPT connection

#### Available Finishes

- Chrome (CC)
- Brushed Nickel (BN)
- Polished Nickel (PN)
- Brushed Gold (BG)

(Model Pictured: Chrome)

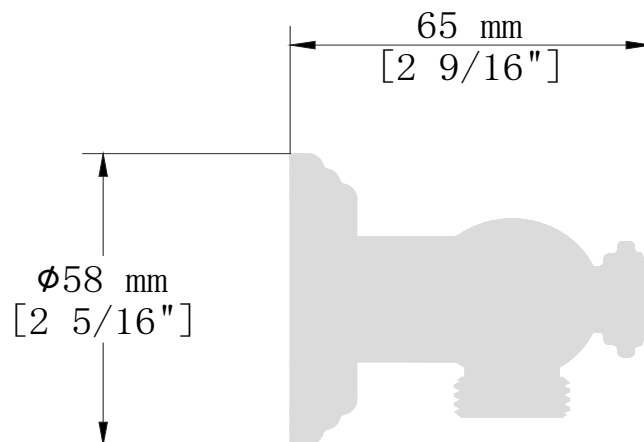


#### Warranty

- Limited lifetime warranty (see full warranty for details)

#### Codes / Standards

- Uniform Plumbing Code (UPC®)
- ASME A112.18.1/CSA B125.1



# CARINTHIA

## TUB SPOUT

TS.10.07

### Description

- Round brass elbow connector with ½" female NPT connection

### Available Finishes

- Chrome (CC)
- Brushed Nickel (BN)
- Polished Nickel (PN)
- Brushed Gold (BG)

(Model Pictured: Chrome)

### Warranty

- Limited lifetime warranty (see full warranty for details)

### Codes / Standards

- Uniform Plumbing Code (UPC®)
- ASME A112.18.1/CSA B125.1

