

Model Name: 3/4" HIGH FLOW THERMOSTATIC VALVE  
VALVE  
Model No:VE.150

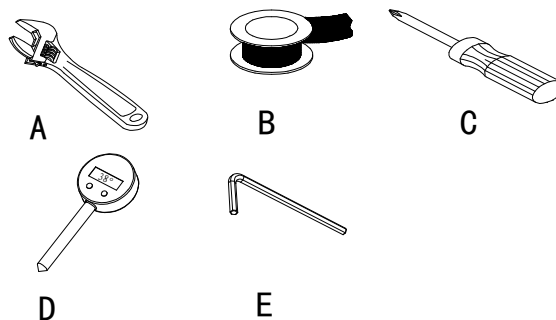
# vogt

Pure Quality. Pure Design.

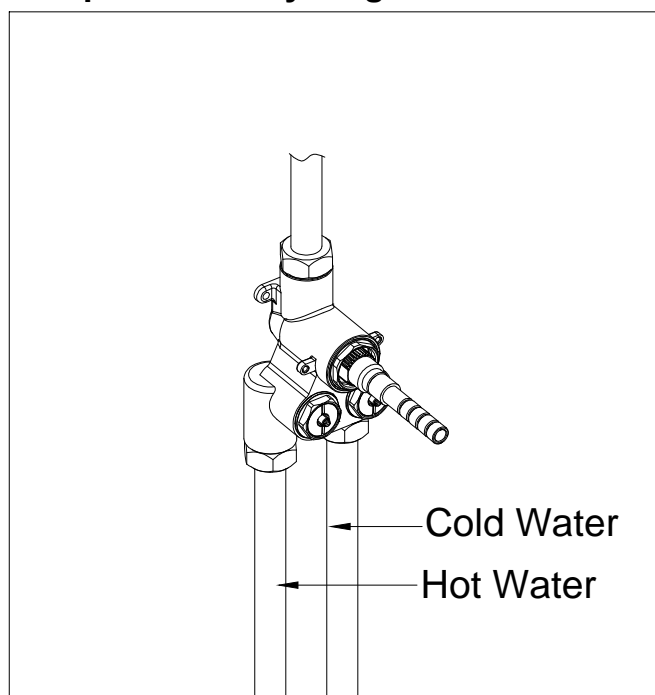
### Before you begin:

- Please take note of different standards and regulations that are dictated by your local plumbing codes. This product is certified in accordance with North American building codes.
- We insist that you use services of a professional plumber with experience in the installation of similar fixtures.
- Ensure that the piping system is well secured to prevent rattling, vibration and banging noises caused by a water hammer. We also recommend that you use water hammer arrestors.
- Ensure that the interior of the water pipes is clean from debris, sand, solder and any other residue.
- Always remove cartridges and other valve components before welding. Purge the water supply system for around 30 seconds, and then carefully reinstall the cartridges.

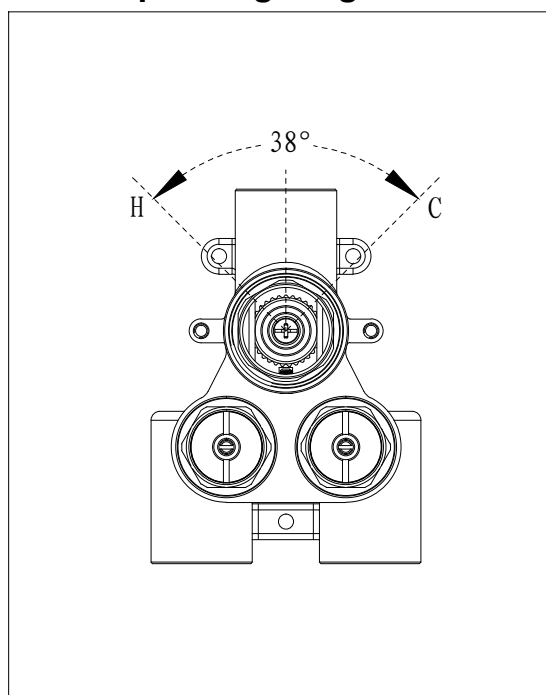
### Tools and equipment you will need:



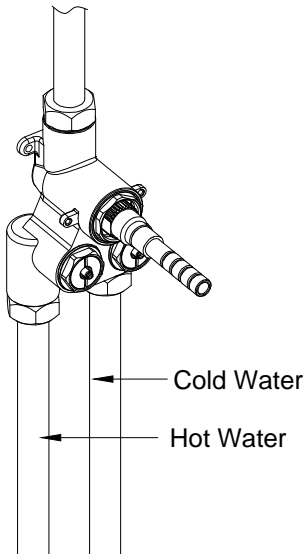
### Sample Waterway diagram:



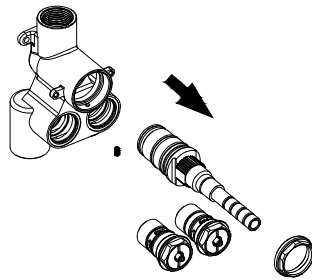
### Valve Operating Diagram:



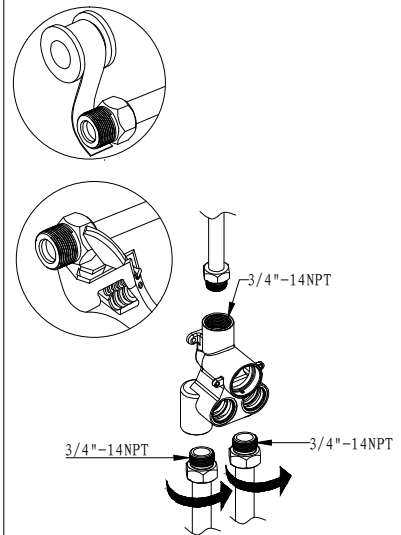
1



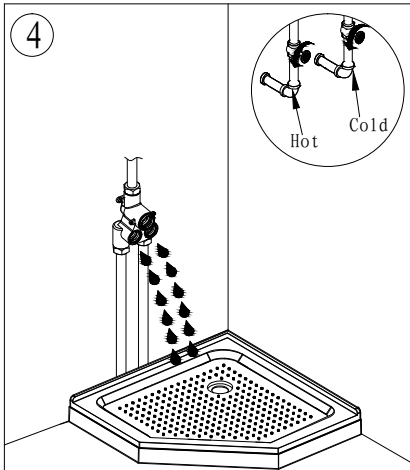
2



3

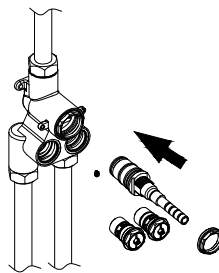


4



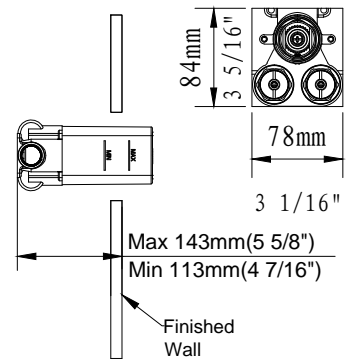
Purge the water supply system for around 30 seconds.

5



Reinstall the valve components into their original positions.

6



Make sure that the valve is installed in such a way that the finished wall is between the Max and Min marks.