

WÖRGL

2-WAY THERMOSTATIC SHOWER SYSTEM

SET.WL.220.500

Components Included

- **VE.220** - Thermostatic valve with integrated 2-way diverter
- **TM.WL.220** - Trim for 2-way thermostatic valve
- **BH.03.03** - 31" sliding shower bar with hose and 3 function hand shower (HS.03.03)
- **EC.02.01** - Round brass elbow connector with ½" female NPT connection
- **TS.02.07** - 7½" brass tub spout with ½" female NPT connection

Available Finishes

- Chrome (CC)
- Brushed Nickel (BN)
- Matte Black (MB)
- Brushed Gold (BG)

(Model Pictured: Chrome)

Codes / Standards

- Uniform Plumbing Code (UPC®)
- ASME A112.18.1/CSA B125.1
- ASSE 1016

Warranty

- Valve & cartridge - Limited lifetime warranty
- Components - Limited lifetime warranty



WÖRGL

2-WAY THERMOSTATIC VALVE & TRIM

VT.WL.220

Description

- VE.220 - 1/2" thermostatic valve with 2-way diverter
- TM.WL.220 - Trim for 2-way thermostatic valve
- 3 positions

Flow Rate

- 6.1 gpm | 23 lpm | 60 psi

Cartridge

- CE.1401.TT - cartridge
- CE.1710.DR - diverter

Available Finishes

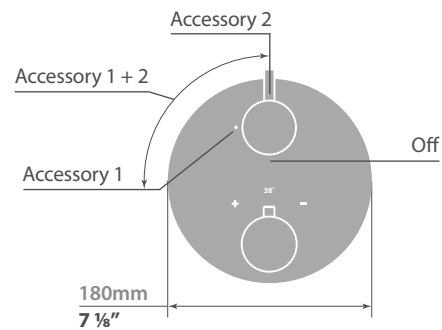
- Chrome (CC)
- Brushed Nickel (BN)
- Matte Black (MB)
- Brushed Gold (BG)

Codes / Standards

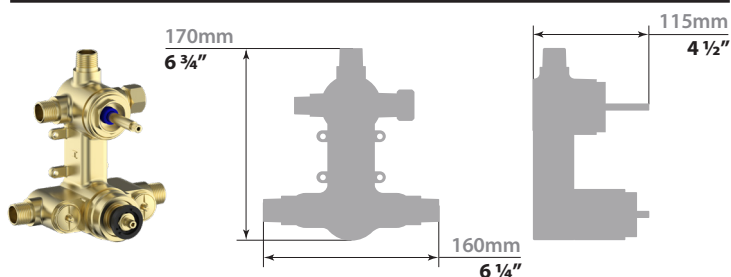
- Uniform Plumbing Code (UPC®)
- ASME A112.18.1/CSA B125.1
- ASSE 1016

Warranty

- Limited lifetime warranty
(see full warranty for details)



VE.220 - 2-Way Thermostatic Valve



2-WAY THERMOSTATIC VALVE

VE.220

Description

- Valve with thermostatic cartridge and 2-way diverter
- ½" male NPT connections

Flow Rate

- 6.1 gpm | 23 lpm | 60 psi

Cartridge

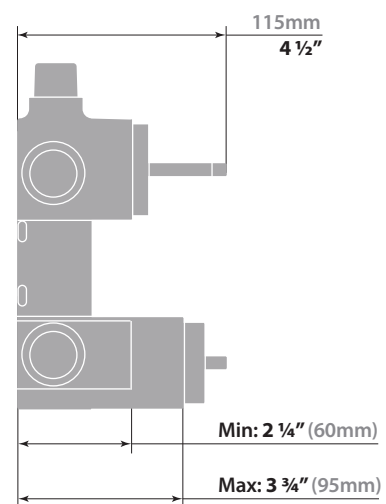
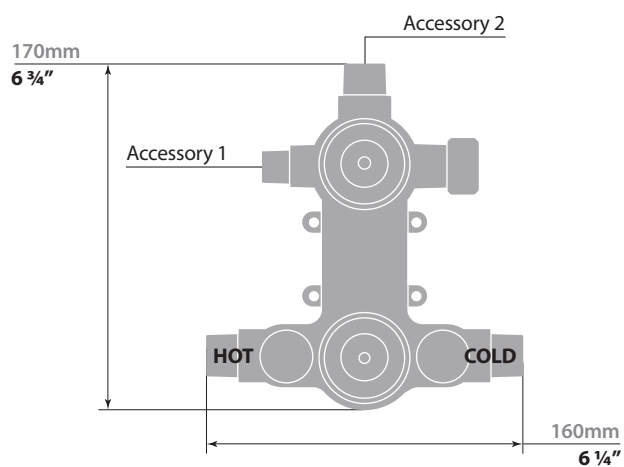
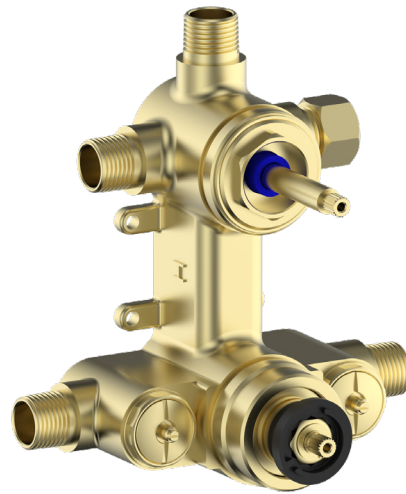
- CE.1401.TT cartridge
- CE.1710.DR diverter

Codes / Standards

- Uniform Plumbing Code (UPC®)
- ASME A112.18.1/CSA B125.1
- ASSE 1016

Warranty

- Limited lifetime warranty
(see full warranty for more details)



WÖRGL

SLIDING SHOWER BAR WITH HANDSHOWER

BH.03.03

Description

- SB.02.31 - 31" sliding shower bar
- HE.150 - 59" hose
- HS.03.03 - 3-function hand shower

Flow Rate

- 2 gpm | 7.6 lpm | 60 psi

Available Finishes

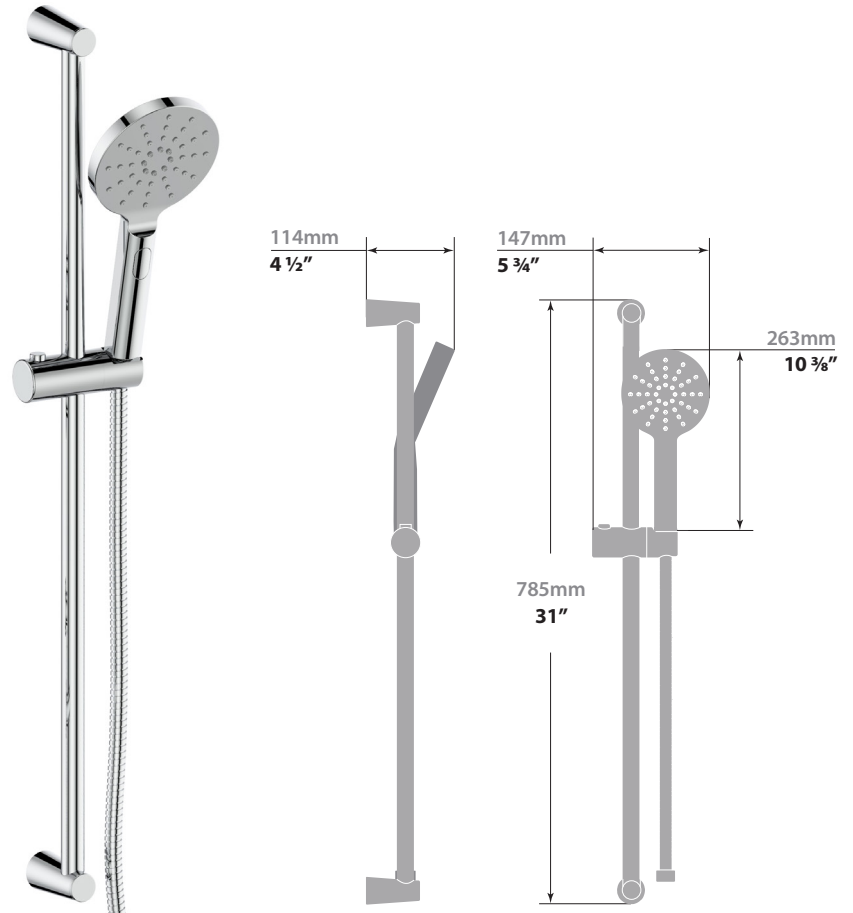
- Chrome (CC)
- Brushed Nickel (BN)
- Matte Black (MB)
- Brushed Gold (BG)

Codes / Standards

- Uniform Plumbing Code (UPC®)
- ASME A112.18.1/CSA B125.1
- ASSE 1016

Warranty

- Limited lifetime warranty
(see full warranty for details)



ROUND WALL SUPPLY ELBOW

EC.02.01

Description

- Round brass elbow connector with 1/2" female NPT connection

Available Finishes

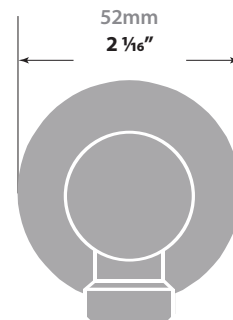
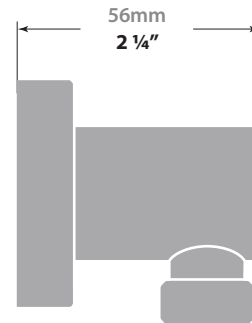
- Chrome (CC)
- Brushed Nickel (BN)
- Glossy White / Chrome (CW)
- Matte Black (MB)
- Brushed Gold (BG)

Codes / Standards

- Uniform Plumbing Code (UPC®)
- ASME A112.18.1/CSA B125.1

Warranty

- Limited lifetime warranty (see full warranty for details)



WÖRGL

TUB SPOUT

TS.02.07

Description

- Brass tub spout with 1/2" female NPT connection

Available Finishes

- Chrome (CC)
- Brushed Nickel (BN)
- Matte Black (MB)
- Brushed Gold (BG)

Codes / Standards

- Uniform Plumbing Code (UPC®)
- ASME A112.18.1/CSA B125.1
- ASSE 1016

Warranty

- Limited lifetime warranty (see full warranty for details)

