

TOTO®

MW6143046CUFG(A)

Carlyle® II 1G® WASHLET®+ S500e One-Piece Toilet - 1.0GPF

FEATURES

- Concealed supply connection for seamless installation
- Ultra high-efficiency TORNADO FLUSH® system, (1.0GPF/3.8LPF)
- Skirted design
- CEFIONTECT® ceramic glaze minimizes waste from sticking to porous ceramic surfaces
- Universal Height
- Elongated bowl
- Decorative one-piece design with high-profile tank
- 12" rough-in sold separately
- Optional 10"; 14" Uni-fit rough-in
- Chrome trip lever
- See spec sheet SW3046AT40 for WASHLET features

MODELS & COMPONENTS

- **MW6143046CUFGA (#01)**
 - CST614CUFGAT40
Elongated toilet with CEFIONTECT
 - SW3046AT40
WASHLET+ S500e - Auto Flush compatible
 - THU766
Auto Flush kit
- **MW6143046CUFG (#01)**
 - CST614CUFGAT40
Elongated toilet with CEFIONTECT
 - SW3046AT40
WASHLET+ S500e - Auto Flush compatible

COLORS/FINISHES

- #01 Cotton

OPTIONAL ROUGH-IN

- 10" rough-in TSU01W.10R
- 14" rough-in TSU01W.14R

PRODUCT SPECIFICATION

The one-piece ultra high-efficiency TORNADO FLUSH system toilet shall be 1.0GPF/3.8LPF. Toilet shall have optional CEFIONTECT ceramic glaze and be at Universal Height. Toilet shall have high-profile tank, elongated front bowl with SoftClose seat and Chrome trip lever. Toilet shall be TOTO Model MW6143046CUFG__#01.

See TOTO Specification sheet SW3046AT40 for details on required WASHLET.



1G One Gallon Per Flush

CEFIONTECT

TORNADO FLUSH

CODES/STANDARDS

- Meets or exceeds ASME A112.19.2/CSA B45.1
- Certifications: IAPMO(cUPC), EPA Watersense, State of Massachusetts, City of Los Angeles, and others
- Code compliance: UPC, IPC, NSPC, NPC Canada, and others
- Legislative Compliance: California AB715, CALGreen Title 24, City of Los Angeles Water Efficiency Ordinance, California Energy Commission Standards
- ADA compliant (when installed with trip lever located on the approach side)
- Complies with CA Prop 65 warning requirements



MW6143046CUFG(A)

Carlyle® II 1G® WASHLET®+ S500e One-Piece Toilet - 1.0GPF

SPECIFICATIONS

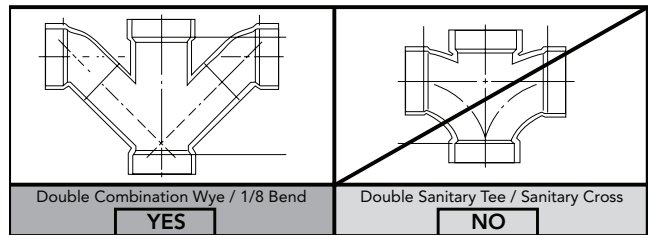
Water Use	1.0 GPF (3.8 LPF)
Flush System	TORNADO FLUSH®
Min. Water Pressure	8 psi (Flowing)
Water Surface	6-7/8" x 9-3/4"
Trap Diameter	2-1/8"
Rough-in	12" (10" & 14" Optional)
Trap Seal	2-1/8"
Warranty	One Year Limited Warranty
Material	Vitreous China
Shipping Weight	CST614CUFGAT40 106 lbs SW3046AT40 15.6 lbs
Shipping Dimensions	CST614CUFGAT40 32" L x 20" W x 17-3/4" H ¹ x 28-3/4" H ² SW3046AT40 23-3/4" x 17" x 9-1/2"

See SW3046AT40 Specification Sheet for details on included WASHLET.

INSTALLATION NOTES

Back-to-Back Toilet Installations:

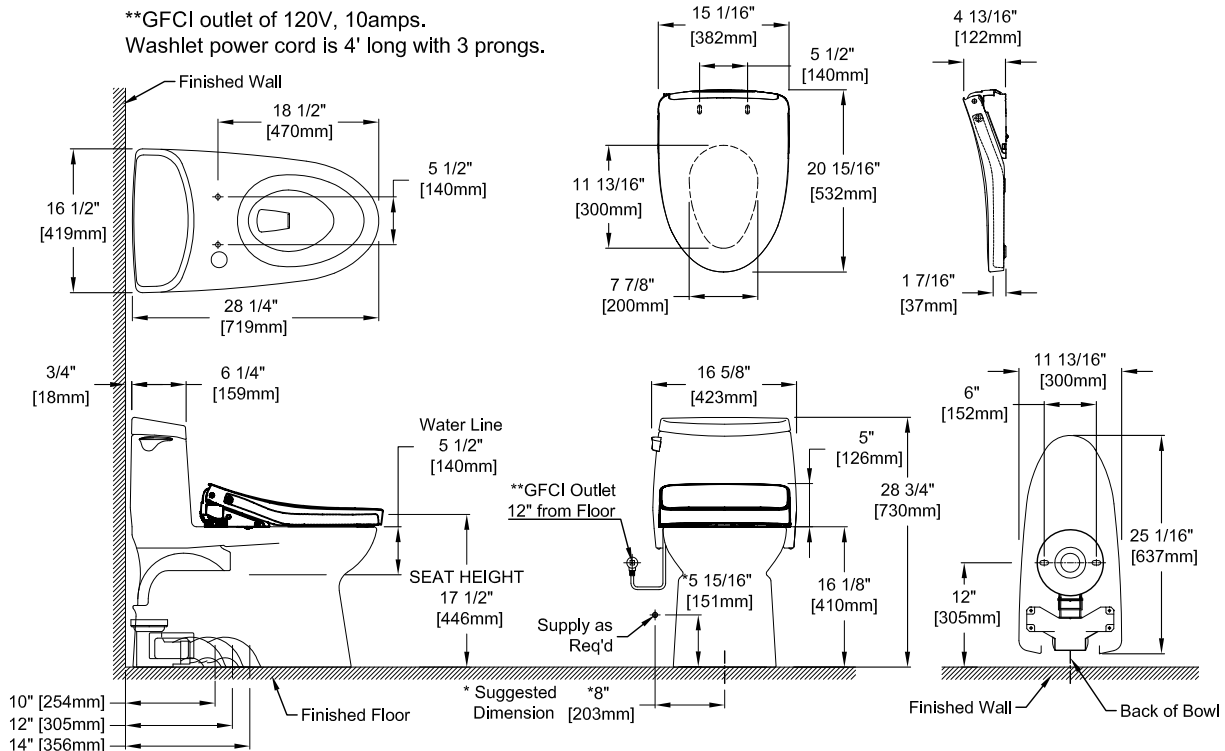
TOTO recommends the use of a nationally listed, double sanitary tee-wye only, in vertical waste stacks, in accordance with the stipulations noted in the majority of nationally recognized plumbing codes.



To maintain adequate wall gap between the back of the tank and wall, mount the floor flange at a nominal 12" rough-in distance.

Ultra-high-efficiency toilets require a system with adequate supplemental flows from other water usage fixtures and a 4" ID drainline with minimum 2% slope and maximum linear runs of 60ft.

DIMENSIONS



TOTO®

These dimensions and specifications are subject to change without notice