



## Underscore®

72" x 42" drop-in Heated BubbleMassage™ air bath with whirlpool  
**K-1174-XHGH**

### Features

- 122 airjets release thousands of heated bubbles that surround, support, and massage the body
- Variable-speed blower lets you adjust massage intensity to 18 levels
- Eight Proflex® hydromassage jets can be individually adjusted for water flow and direction
- Single-speed whirlpool offers performance and value with 8 fully adjustable jets
- Built-in heater
- Automatic and manual purge cycles remove residual water from air channels after use
- 60-minute automatic shutoff timer
- Slotted overflow allows for deep soaking
- Spacious design accommodates up to two bathers
- Integral lumbar support
- Keypad control
- Textured bottom surface

### Material

- Acrylic

### Technology

- Heated BubbleMassage™ technology warms and humidifies air before it enters the bath

### Installation

- Drop-in or undermount
- Center drain

### Required Products/Accessories

K-7271 Brass Slotted Overflow Bath Drain

or

K-7272 PVC Slotted Overflow Bath Drain

### Recommended Products/Accessories

K-1491 Bath/Whirlpool Pillow

K-1601 Bath/whirlpool footstop, removable

K-706000-D3 Frameless Sliding Bath Door

K-706000-L 62" H sliding bath door with 1/4"-thick glass

K-706004-D3 Frameless Sliding Bath Door

K-706004-L Frameless Sliding Bath Door



### Codes/Standards

ASME A112.19.7/CSA B45.10

CSA B45.5/IAPMO Z124

ASTM E162

ASTM E662

UL 1795

CSA C22.2 No. 218.2

IAPMO Certification

cUL Listed






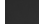
UL Listed

### KOHLER® Plastic Baths and Shower Bases Lifetime Limited Warranty KOHLER® Hydrotherapy Components Five-Year Limited Warranty

See website for detailed warranty information.

### Available Colors/Finishes

*Color tiles intended for reference only.*

Color	Code	Description
	0	White
	96	Biscuit
	NY	Dune
	95	Ice™ Grey
	58	Thunder™ Grey
	7	Black Black™

1-800-4KOHLER (1-800-456-4537)

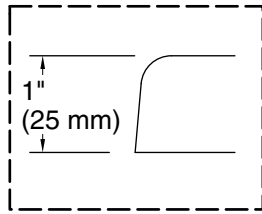
Kohler Co. reserves the right to make revisions without notice to product specifications.

For the most current Specification Sheet, go to [www.kohler.com](http://www.kohler.com) USA or [www.kohler.ca](http://www.kohler.ca) Canada

2-26-2024 22:22 - US

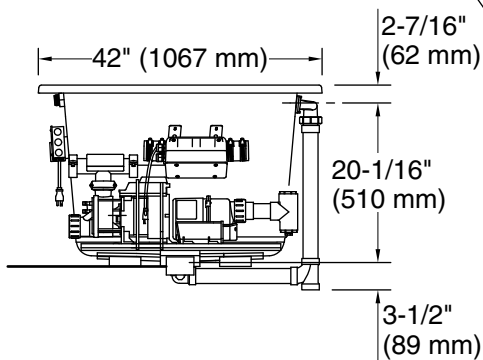
THE BOLD LOOK  
OF **KOHLER**®

No change in measurements if connected with drain illustrated. (K-7272)

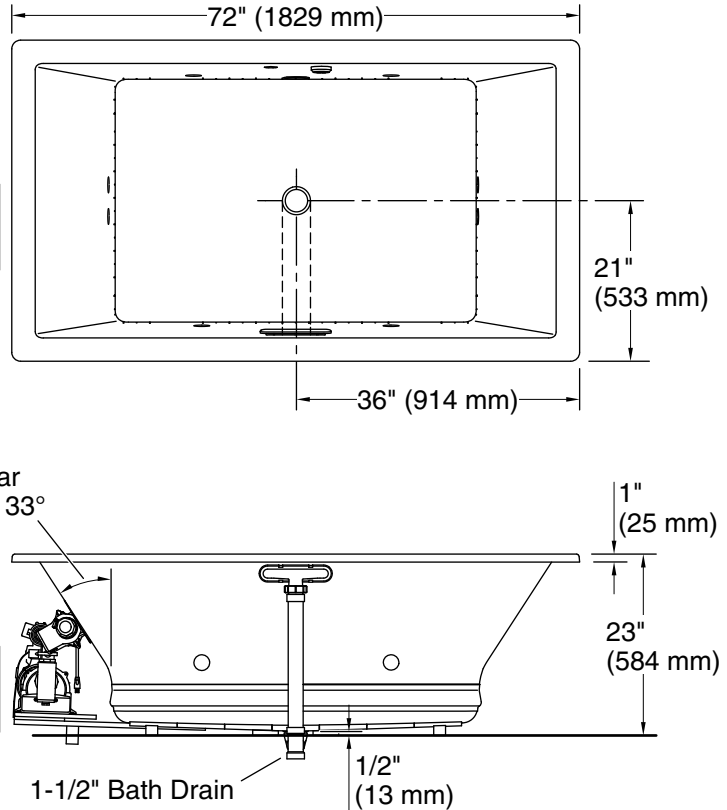


**Drop-in Rim Detail**

**Blower Motor Access**  
30" (762 mm) W x 15" (381 mm) H Min



**Lumbar Angle 33°**



### Required Electrical Service

Three dedicated circuits required, protected with Class A Ground-Fault Circuit-Interrupter (GFCI). Outside North America, this device may be known as a Residual Current Device (RCD).

Blower:	120 V, 15 A, 60 Hz
Air bath, Pump:	120 V, 15 A, 60 Hz
Heater:	120 V, 15 A, 60 Hz

### Technical Information

All product dimensions are nominal.

Drain location:	Center
Basin area, bottom:	45-3/4" x 32" (1162 mm x 813 mm)
Basin area, top:	66" x 36" (1676 mm x 914 mm)
Weight:	203 lbs (92.1 kg)
Minimum floor load:	64.1 lbs/ft² (313 kg/m²)
Water depth:	19" (483 mm)
Water capacity:	139 gal (526.2 L)
Cutout:	Drop-in, 71-1/2" x 41-1/2" (1816 mm x 1054 mm)

Electrical component Blower: 120 V, 10 A, 60 Hz

### Notes

Measure your actual product for rough-in details.

Install this product according to the installation instructions.

The hot water supply should be 70% of the capacity of the bath or greater. Installations will vary.

The PerfectFill drain includes piping that will fit most installations. Some installations may require additional PVC piping.