

Features

- Brass construction and valve bodies
- Durable Polished Chrome plate finish
- Quarter-turn washerless ceramic disc valves
- Vandal-resistant aerator
- Vandalproof ADA-compliant wristblade handles with red and blue indexing
- 8-3/16" (208 mm) swing spout
- Less drain
- 1.8 gpm (6.8 lpm) maximum flow rate at 60 psi (4.14 bar)
- Complies with the Safe Drinking Water Act (SDWA)
- Matching finish side sprayer with integral diverter

Installation

- For 8" (203 mm) centers

Recommended Products/Accessories

K-23723 Faucet cleaner



ADA **CSA B651**

Codes/Standards

ASME A112.18.1/CSA B125.1

NSF/ANSI/CAN 61

NSF/ANSI/CAN 372

All applicable US Federal and State material regulations

DOE - Energy Policy Act 1992

California Energy Commission (CEC)

ADA

ICC/ANSI A117.1

CSA B651

IAPMO Certification

KOHLER[®] One-Year Limited Warranty

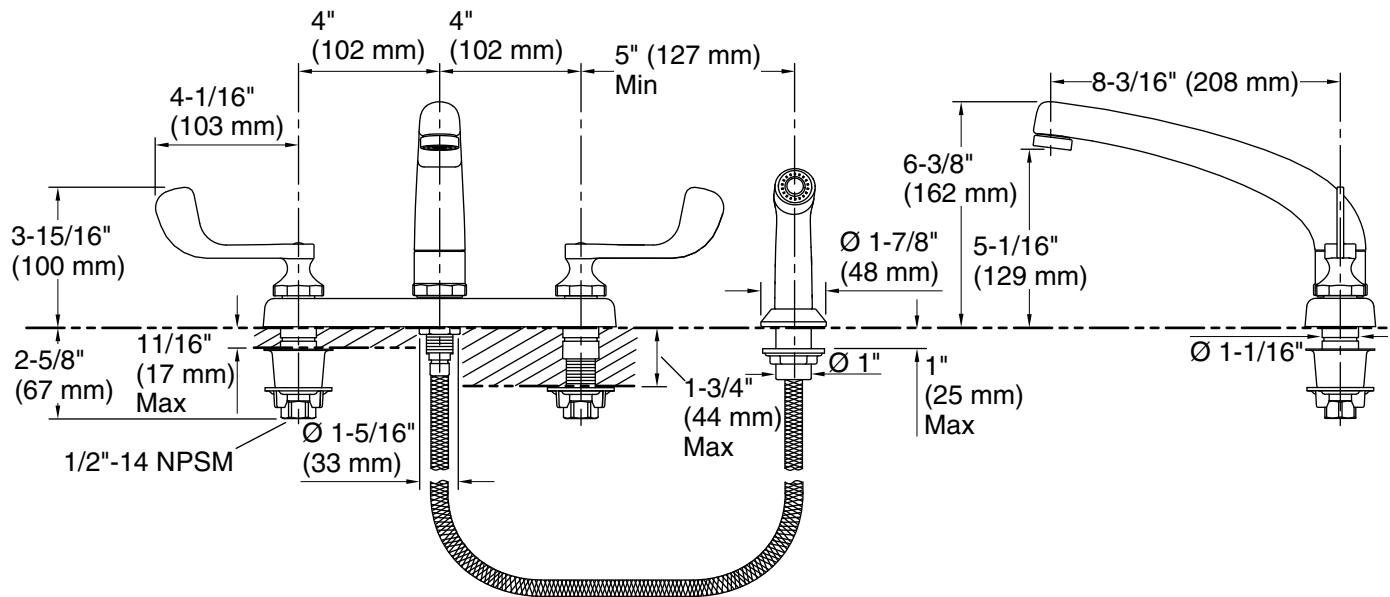
See website for detailed warranty information.

Available Colors/Finishes

Color tiles intended for reference only.

Color	Code	Description
-------	------	-------------

	CP	Polished Chrome
---	----	-----------------



Technical Information

All product dimensions are nominal.

Sidespray:

Flow rate: 1.2 gal/min (4.5 l/min)

Pressure: 60 psi (4.1 bar)

Drain included: No

Spout:

Spout reach: 8-3/16" (208 mm)

Notes

Install this product according to the installation guide.

Drill the hole for the sidespray a minimum of 5" (127 mm) from the center of the lever handle.

ADA compliant for faucet handles only.

ADA, CSA B651 compliant when installed to the specific requirements of these regulations.