

Features

- One-piece, self-contained ceramic disc valve allows both volume and temperature control
- Stationary spout
- No drain, no lift rod
- Flexible connections
- 0.5 gpm (1.9 lpm) maximum flow rate at 80 psi (5.5 bar)

Material

- Brass

Installation

- For single-hole installation
- 4-3/8" (111 mm) spout reach

Recommended Products/Accessories

- K-23726 Drain treatment
- K-23723 Faucet cleaner



ADA **CSA B651** **OBC**

Codes/Standards

ASME A112.18.1/CSA B125.1
NSF/ANSI/CAN 61
NSF/ANSI/CAN 372
All applicable US Federal and State material regulations
DOE - Energy Policy Act 1992
California Energy Commission (CEC)
ADA
ICC/ANSI A117.1
CSA B651
OBC
IAPMO Certification

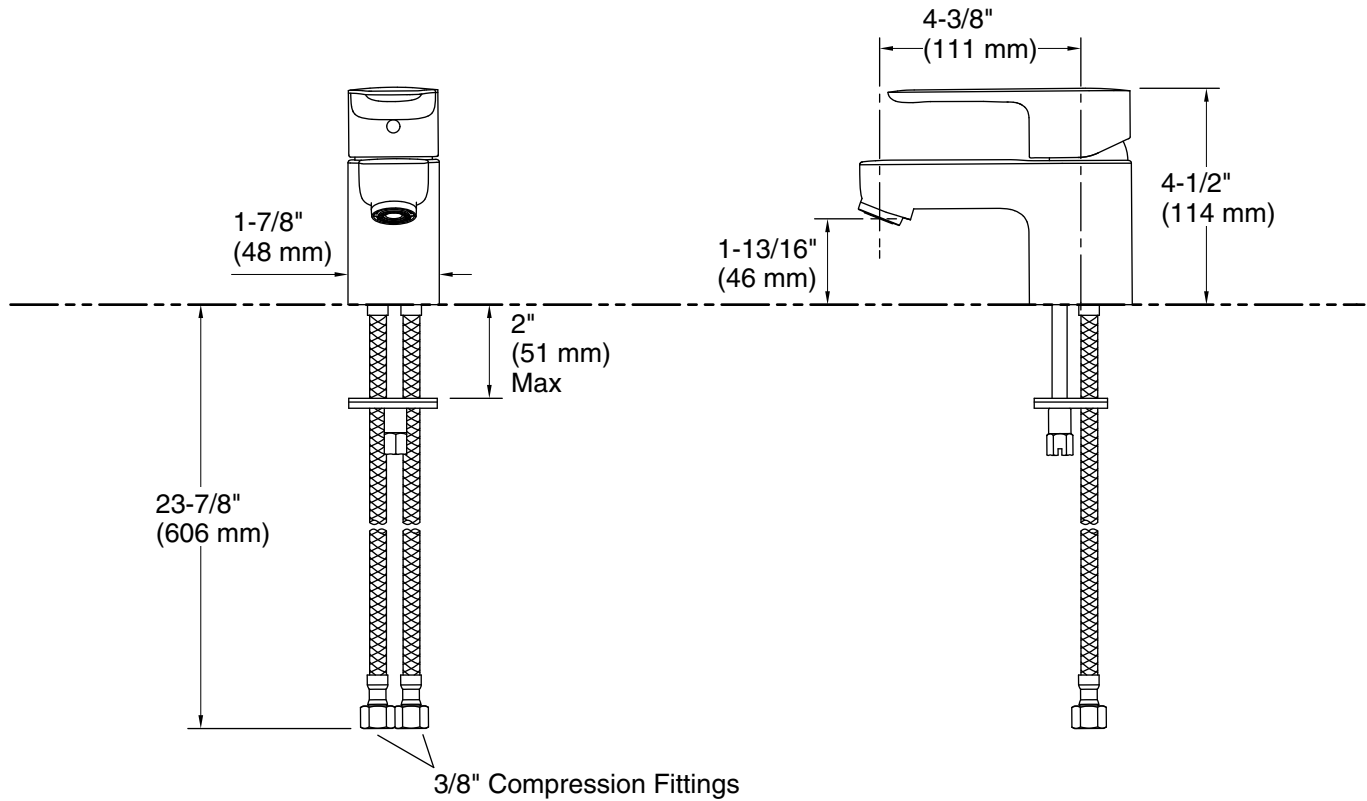
KOHLER[®] Faucet Lifetime Limited Warranty

See website for detailed warranty information.

Available Colors/Finishes

Color tiles intended for reference only.

Color	Code	Description
	CP	Polished Chrome



Technical Information

All product dimensions are nominal.

Faucet:

Flow rate: 0.5 gal/min (1.9 l/min)

Pressure: 80 psi (5.5 bar)

Drain included: No

Spout:

Spout reach: 4-3/8" (111 mm)

Notes

Install this product according to the installation guide.

ADA compliant for handles only.

ADA, OBC, CSA B651 compliant when installed to the specific requirements of these regulations.