

Features

- Kinesis® technology with concealed sensor allows for a clean aesthetic and provides extraordinarily accurate and reliable actuation in varying installation environments
- Below-counter valving reduces the faucet footprint and provides easier service
- Design-forward aesthetic for commercial bathroom spaces
- 0.5 gpm (1.9 lpm) maximum flow rate
- Powered by Kohler's Hybrid Energy System (HES), which provides maintenance-free power for up to 30 years (approx. 875,000 cycles)
- On-demand usage with 30-second max. continual run cycle to prevent vandalism and save water
- Vandal-resistant laminar outlet
- 18" (457 mm) stainless steel braided flexible supply hose for easy installation
- 3-7/8" (98 mm) spout reach
- Grid drain
- Includes concealed mechanical mixer
- Complies with the Safe Drinking Water Act (SDWA)

Material

- Brass spout
- Cast brass valve

Technology

- Kinesis® sensor technology offers on-demand detection for maximum water savings

Installation

- Single-hole mounting
- Includes spout assembly, grid drain, control box assembly, supply hose, mixer and standard mounting hardware
- Includes one hybrid cell

Recommended Products/Accessories

- K-23726 Drain treatment
- K-23723 Faucet cleaner

Optional Products/Accessories

- K-13478-A 4" escutcheon plate for Insight™ and Kinesis® faucet
- K-13478-B 4" escutcheon plate for Insight™ and Kinesis® faucet
- K-13479-A 8" escutcheon plate for Insight™ and Kinesis® faucet
- K-13479-B 8" escutcheon plate for Insight™ and Kinesis® faucet

Included Components

1-800-4KOHLER (1-800-456-4537)

Kohler Co. reserves the right to make revisions without notice to product specifications.

For the most current Specification Sheet, go to www.kohler.com USA or www.kohler.ca Canada

2-25-2024 22:01 - US



ADA

CSA B651

OBC

Codes/Standards

ASME A112.18.1/CSA B125.1

NSF/ANSI/CAN 61

NSF/ANSI/CAN 372

All applicable US Federal and State material regulations

DOE - Energy Policy Act 1992

California Energy Commission (CEC)

ADA

ICC/ANSI A117.1

CSA B651

OBC

IAPMO Certification

KOHLER® One-Year Limited Warranty

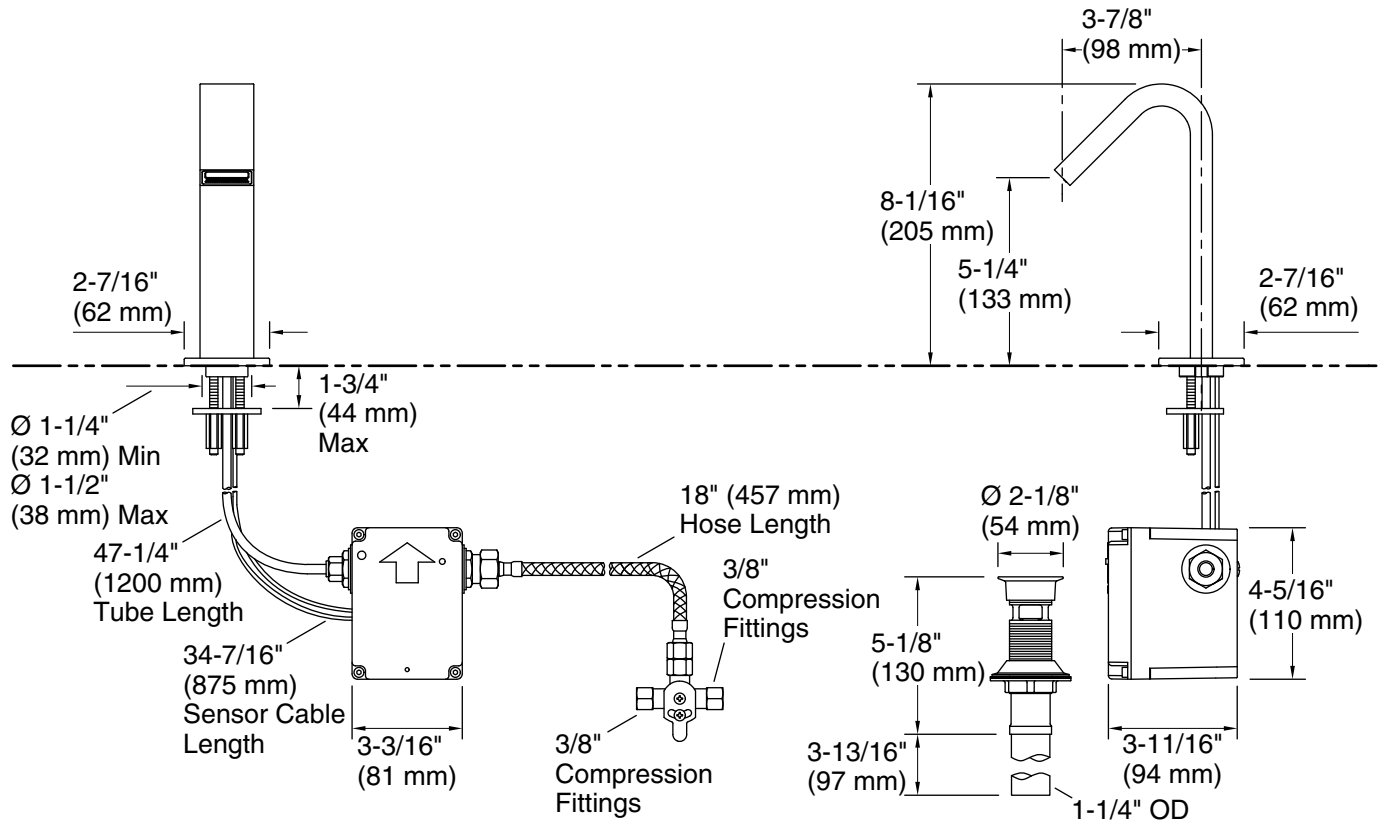
See website for detailed warranty information.

Available Colors/Finishes

Color tiles intended for reference only.

Color Code Description

■ CP Polished Chrome



Technical Information

All product dimensions are nominal.

Power source: Hybrid Energy Cell, included

Faucet:

Flow rate: 0.5 gal/min (1.9 l/min)

Pressure: 60 psi (4.1 bar)

Drain included: Yes

Spout:

Spout reach: 3-7/8" (99 mm)

Notes

Install this product according to the installation instructions.

A 1-1/4" (32 mm) minimum to 1-1/2" (38 mm) maximum diameter mounting hole is required.

The minimum distance between the back of the faucet spout and the wall must be 1-3/4" (44 mm). This will allow proper clearance for setscrew access.

The maximum distance between the bathroom sink basin edge to the base of the faucet spout must be 1-3/4" (44 mm).

ADA, OBC, CSA B651 compliant when installed to the specific requirements of these regulations.