

### Features

- Touchless faucet, soap dispenser, and accessory combination designed for Constellation™ 90" wall-mount lavatory systems
- Faucets with Kinesis® technology and concealed sensors give a clean aesthetic and provide extraordinarily accurate and reliable actuation in varying installation environments
- 0.5 gpm (1.9 lpm) maximum flow rate
- On-demand usage with 30-second max. continual run cycle to prevent vandalism and save water
- Vandal-resistant aerators
- Soap dispensers possess adjustable volume and sensor range for precise actuations
- Soap dispenser requires low (1-20 cps or gr/m-s) viscosity foam soap with no suspended particles. Please see Installation Guide or Maintenance and Use Guide for specific soap recommendations
- Below-counter faucet valving and soap dispenser reservoirs reduce footprints and provide easier servicing
- Vandal-resistant sensor on soap dispenser delays dispensing for 30 seconds if blocked for ten seconds
- Above-counter low soap and low battery indicators
- Coordinating bag hooks hold purses, backpacks, and other bags
- Includes three assembled faucets and soap dispensers, two bag hooks, two multi-outlet power supplies, six 10' (3.1 m) cable assemblies, three overflow assemblies, one 1-gallon bulk soap refill, mechanical mixing tee

### Material

- Durable brass construction

### Installation

- Deck-mount



ADA

### Codes/Standards

ASME A112.18.1/CSA B125.1  
NSF/ANSI/CAN 61  
NSF/ANSI/CAN 372  
UL 1310  
ADA  
ICC/ANSI A117.1

### KOHLER® One-Year Limited Warranty

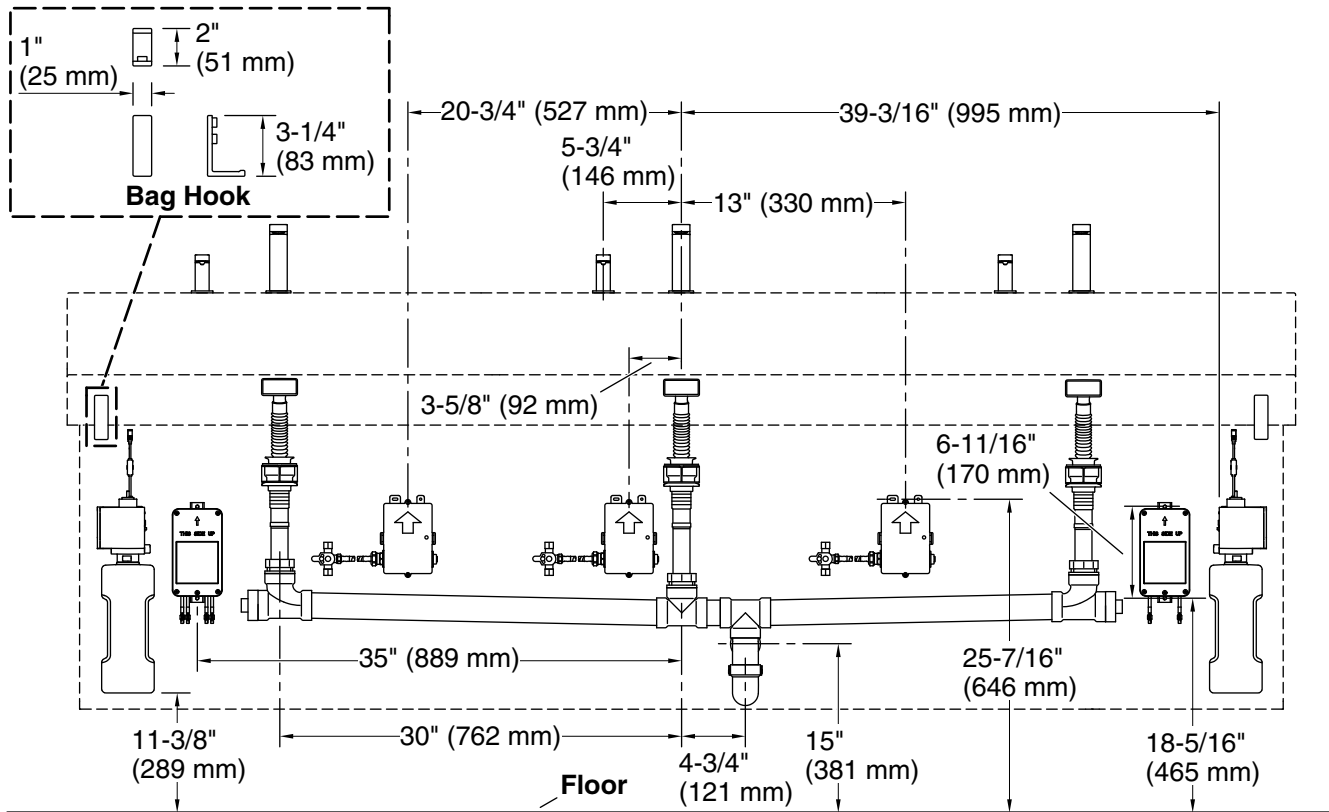
See website for detailed warranty information.

### Available Colors/Finishes

*Color tiles intended for reference only.*

Color	Code	Description
-------	------	-------------

	CP	Polished Chrome
---	----	-----------------



### Required Electrical Service

One dedicated circuit required, protected with Class A Ground-Fault Circuit-Interrupter (GFCI). Outside North America, this device may be known as a Residual Current Device (RCD).  
 110/220 V, 50/60 Hz

### Notes

Install this product according to the installation instructions.  
 ADA compliant when installed to the specific requirements of these regulations.

### Technical Information

All product dimensions are nominal.

Power source: Hardwire - AC and Plug - AC, included  
 Drain included: Yes  
 Drain with overflow: No

### Spout:

Spout reach: 5-13/16" (148 mm)

### Pressure/fixture Supply Requirements

Fixture pressure max (static): 80 psi (551.6 kPa)  
 Fixture pressure min (static): 25 psi (172.4 kPa)  
 Min flow rate: 0.5 gpm (1.9 lpm)