

Features

- Large basin allows placement of more volume
- 2-1/2" trapway larger than most residential toilet trapways
- Rim holes provide a uniform cascade of water to keep sides of sink clean
- Blow-out action flushing rim
- 1-1/2" (38 mm) top spud
- Sink requires 5 - 7 gpf (19 - 27 lpf) valve, and minimum running pressure of 25 psi (172 kPA)
- Siphon jet provides a powerful surge of water to effectively eliminate maximum debris or waste

Material

- Crafted of Grade A vitreous china to provide a durable, nonporous product with a glossy finish
- Vitreous china

Recommended Products/Accessories

K-8935 Stainless Steel Rim Guard



Codes/Standards

ASME A112.19.2/CSA B45.1
IAPMO Certification

KOHLER® One-Year Limited Warranty

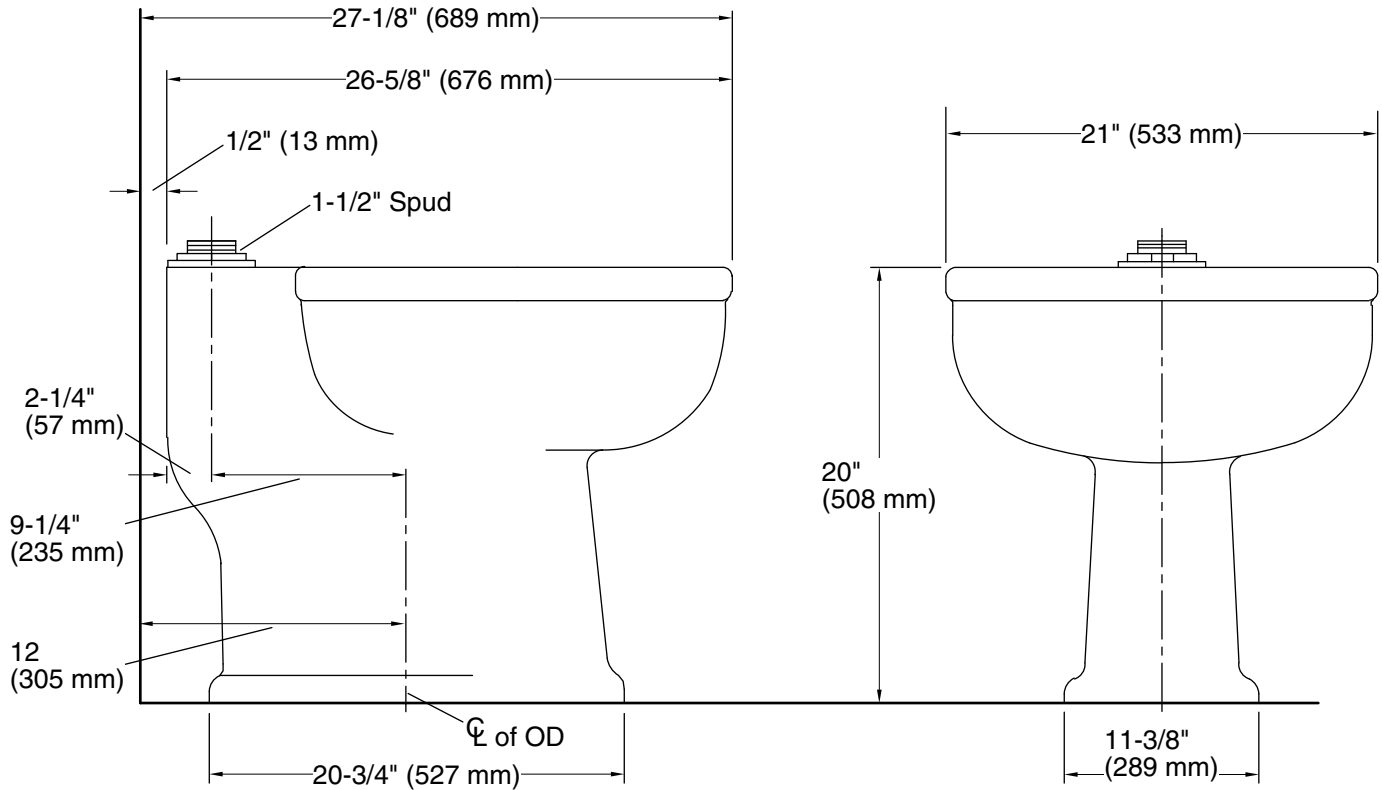
See website for detailed warranty information.

Available Colors/Finishes

Color tiles intended for reference only.

Color	Code	Description
-------	------	-------------

	0	White
---	---	-------



Technical Information

All product dimensions are nominal.

Bowl configuration:	Single
Bowl area (Only):	Length: 17" (432 mm) Width: 17" (432 mm) Water depth: 7-5/8" (194 mm)
Number of deck holes:	1
Drain hole:	2-5/8" (67 mm)

Notes

Install this product according to the installation instructions.