

Features

- Single faucet hole
- Oval basin
- Overflow drain
- Right-hand hole drilled for soap or lotion dispenser
- Includes wall hanger

Material

- Vitreous china

Installation

- Wall-mount
- Drilled for concealed arm carrier installation

Recommended Products/Accessories

- K-23726 Drain treatment
- K-23725 Cast iron cleaner

Optional Products/Accessories

- K-1998 Shroud
- K-8998 P-Trap



ADA

CSA B651

OBC

Codes/Standards

ASME A112.19.2/CSA B45.1
ADA
ICC/ANSI A117.1
CSA B651
OBC
IAPMO Certification


KOHLER® One-Year Limited Warranty

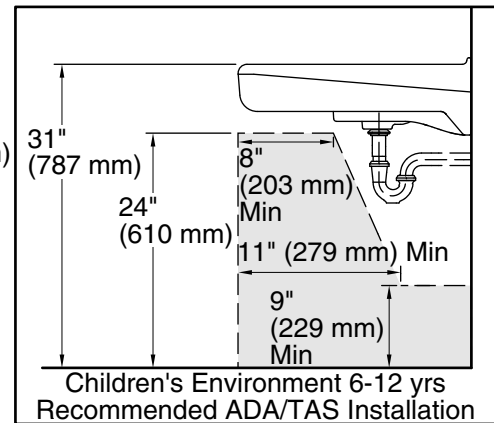
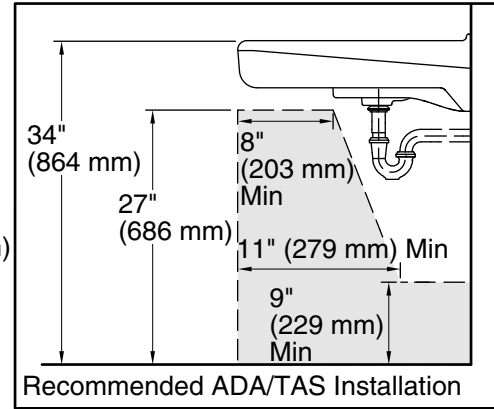
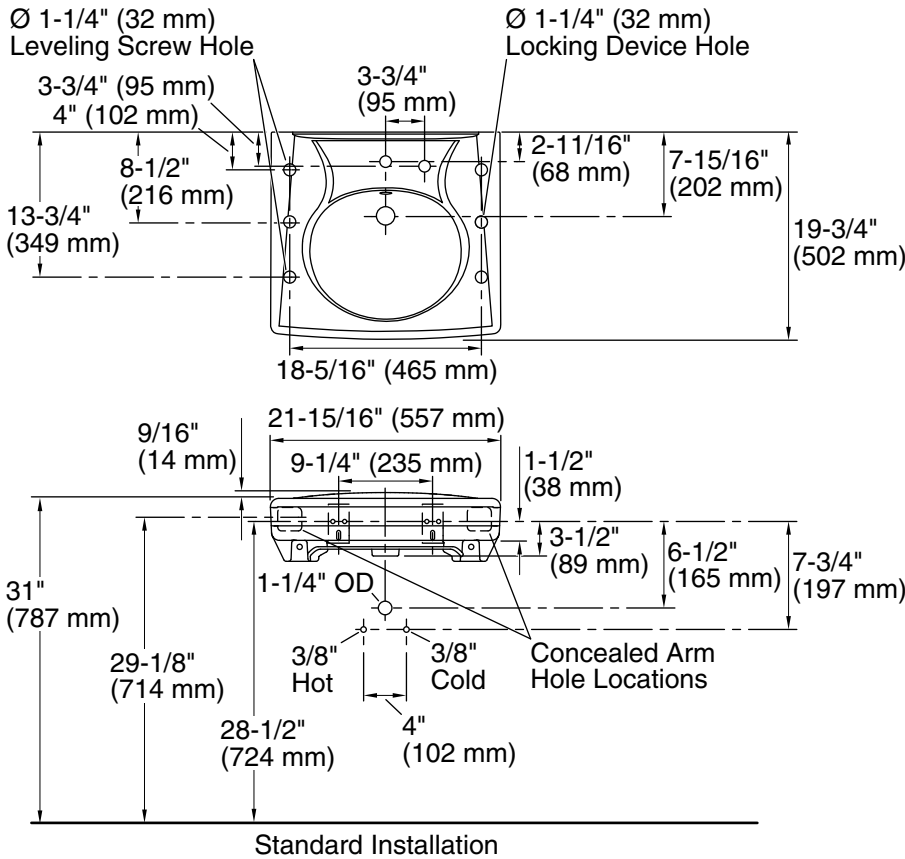
See website for detailed warranty information.

Available Colors/Finishes

Color tiles intended for reference only.

Color Code Description

	0	White
---	---	-------



Technical Information

All product dimensions are nominal.

Bowl configuration: Single

Bowl area (Only): Length: $14\text{-}3/8\text{''}$ (365 mm)
Width: $12\text{-}5/16\text{''}$ (313 mm)
Water depth: $3\text{-}1/4\text{''}$ (83 mm)

With overflow: Yes

Number of deck holes: 2

Faucet hole(s): $1\text{-}3/8\text{''}$ (35 mm)

Soap/Lotion hole: $1\text{-}1/4\text{''}$ (32 mm)

Drain hole: $1\text{-}3/4\text{''}$ (44 mm)

Notes

Install this product according to the installation instructions.

ADA, OBC, CSA B651 compliant when installed to the specific requirements of these regulations.