



Brenham™
Wall-Mount Bathroom Sink
K-1997-1NR

Features

- Single faucet hole
- Oval basin
- Sealed overflow drain
- Right-hand hole drilled for soap or lotion dispenser
- Includes wall hanger

Material

- Vitreous china

Installation

- Wall-mount
- Drilled for concealed arm carrier installation

Recommended Products/Accessories

- K-23726 Drain treatment
- K-23725 Cast iron cleaner

Optional Products/Accessories

- K-8998 P-Trap
- K-1998 Shroud



ADA **CSA B651** **OBC**

Codes/Standards

ASME A112.19.2/CSA B45.1
ADA
ICC/ANSI A117.1
CSA B651
OBC
IAPMO Certification


**KOHLER® One-Year Limited
Warranty**

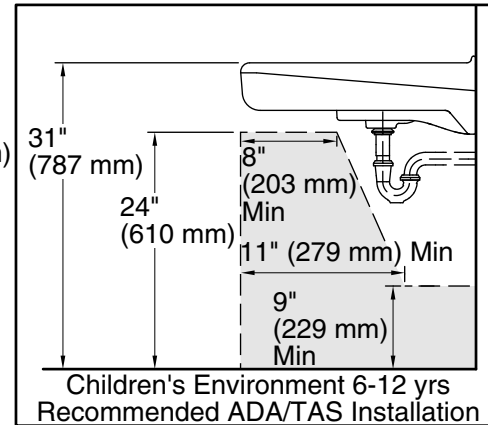
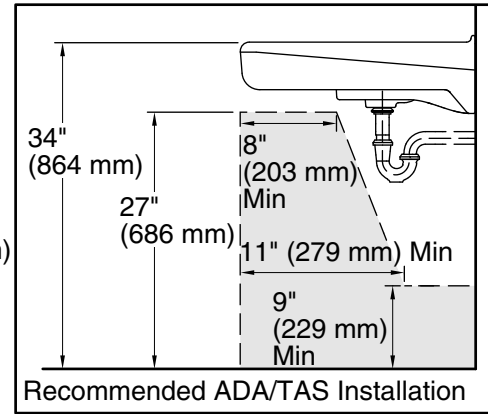
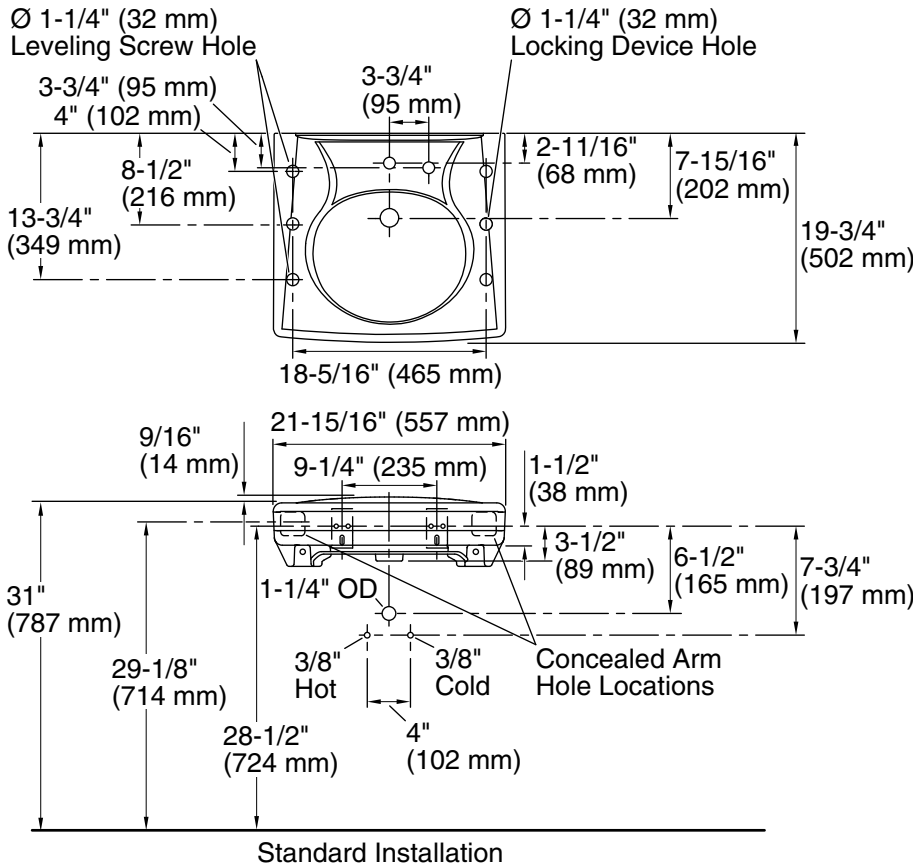
See website for detailed warranty information.

Available Colors/Finishes

Color tiles intended for reference only.

Color Code Description

 0 White



Technical Information

All product dimensions are nominal.

Bowl configuration:	Single
Bowl area (Only):	Length: $14\text{-}3/8\text{'' (365 mm)}$ Width: $12\text{-}5/16\text{'' (313 mm)}$ Water depth: $3\text{-}1/4\text{'' (83 mm)}$
With overflow:	Yes
Number of deck holes:	2
Faucet hole(s):	$1\text{-}3/8\text{'' (35 mm)}$
Soap/Lotion hole:	$1\text{-}1/4\text{'' (32 mm)}$
Drain hole:	$1\text{-}3/4\text{'' (44 mm)}$

Notes

Install this product according to the installation instructions.

ADA, OBC, CSA B651 compliant when installed to the specific requirements of these regulations.