

Features

- 20-3/4"L x 18-1/4"W
- Single-hole drilling
- Includes wall hanger
- Drilled for concealed arm carrier and fixture-supported knee-control fitting

Material

- Vitreous china

Installation

- Wall-mount

Recommended Products/Accessories

- K-1808-P Wall-Mount Sink Brackets
- K-8998 P-Trap
- K-23726 Drain treatment
- K-23725 Cast iron cleaner



ADA

CSA B651

Codes/Standards

ASME A112.19.2/CSA B45.1

All applicable US Federal and State material regulations

ADA

ICC/ANSI A117.1

CSA B651

IAPMO Certification


KOHLER® One-Year Limited Warranty

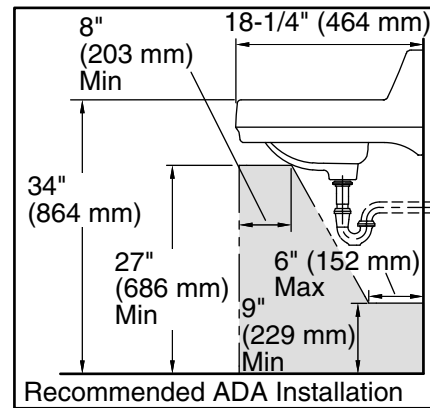
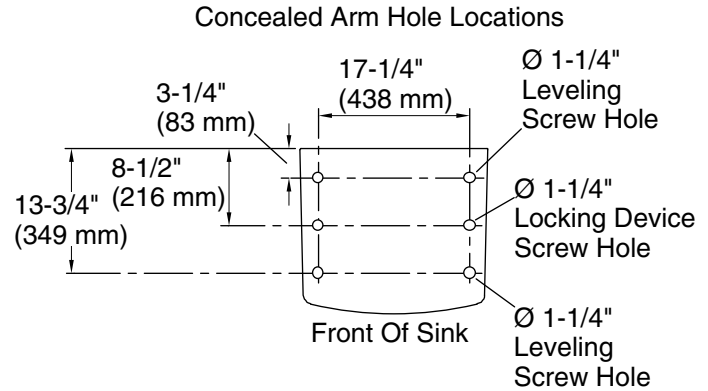
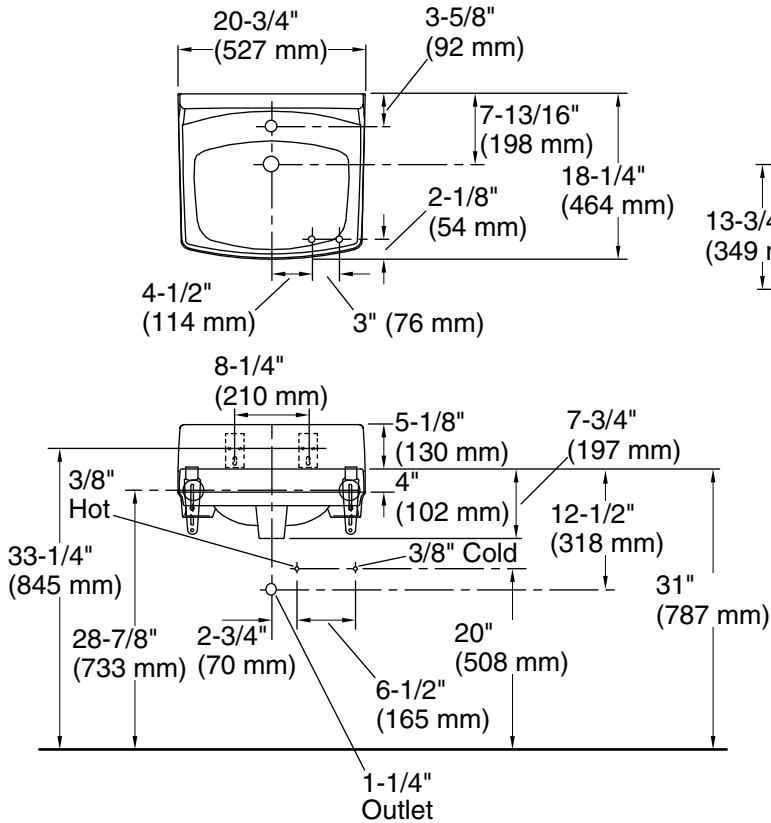
See website for detailed warranty information.

Available Colors/Finishes

Color tiles intended for reference only.

Color	Code	Description
-------	------	-------------

	0	White
---	---	-------



Technical Information

All product dimensions are nominal.

Bowl configuration:	Single
Bowl area (Only):	Length: 15" (381 mm) Width: 10" (254 mm) Bowl depth: 7-3/4" (197 mm) Water depth: 3-1/4" (83 mm)
Number of deck holes:	1
Faucet hole(s):	1-3/8" (35 mm)
Drain hole:	1-3/4" (44 mm)

Notes

Install this product according to the installation instructions.

ADA, CSA B651 compliant when installed to the specific requirements of these regulations.