

Features

- Made from premium materials that withstand high-volume usage
- 20" (508 mm) x 18" (457 mm)
- Faucet sold separately
- Includes soap dispenser drilling on right

Material

- Vitreous china

Installation

- Wall-mount
- Drilled for concealed arm carrier installation

Recommended Products/Accessories

K-8998 P-Trap
K-23726 Drain treatment
K-23725 Cast iron cleaner



ADA

CSA B651

OBC

Codes/Standards

ASME A112.19.2/CSA B45.1
ADA
ICC/ANSI A117.1
CSA B651
OBC
IAPMO Certification


KOHLER® One-Year Limited Warranty

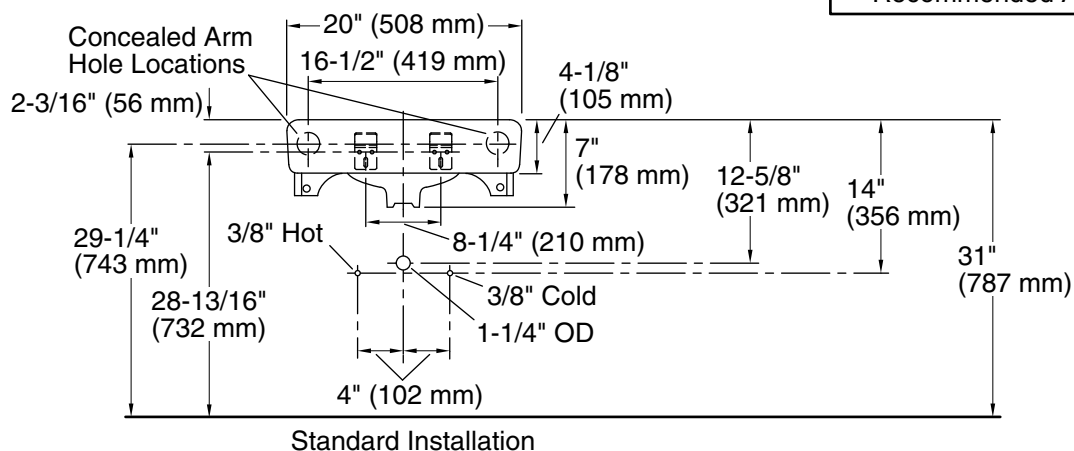
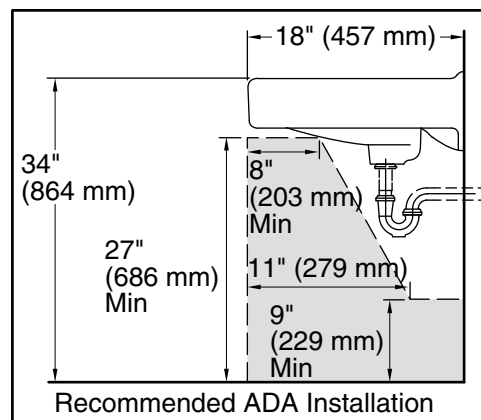
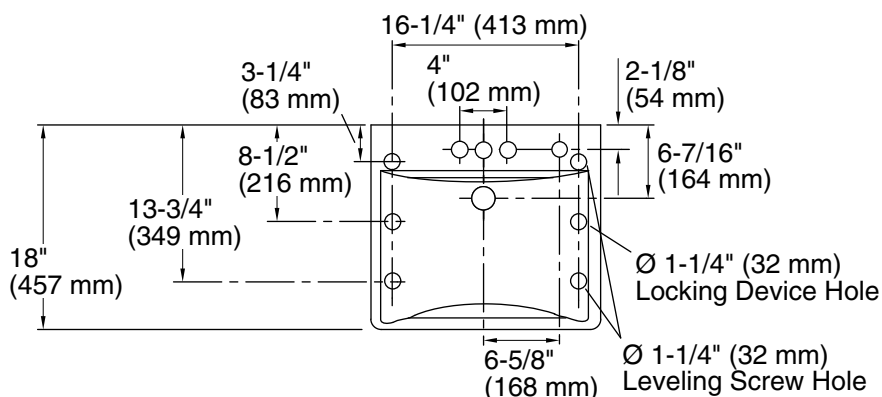
See website for detailed warranty information.

Available Colors/Finishes

Color tiles intended for reference only.

Color	Code	Description
-------	------	-------------

	0	White
---	---	-------



Technical Information

All product dimensions are nominal.

Bowl configuration:	Single
Center(s):	4
Bowl area (Center):	Length: 18" (457 mm) Width: 13" (330 mm) Water depth: 4-7/8" (124 mm)
With overflow:	Yes
Number of deck holes:	4
Faucet hole spacing:	4" (102 mm)
Faucet hole(s):	1-3/8" (35 mm)
Soap/Lotion hole:	1-1/4" (32 mm)
Drain hole:	1-3/4" (44 mm)

Notes

Install this product according to the installation instructions.

If an arm carrier is used, select a soap dispenser with a 1" (25 mm) maximum shank diameter to avoid interference with the arm carrier.

Use a soap dispenser with adequate shank length to extend through the 4-1/8" (105 mm) sink thickness.

ADA, OBC, CSA B651 compliant when installed to the specific requirements of these regulations.