



# Morningside™

## Wall-mount Wheelchair Bathroom Sink

### K-12634

#### Features

- Made from premium materials that withstand high-volume usage
- 20" (508 mm) x 27" (686 mm)
- 11-1/2" center drilling
- ADA-compliant when installed with K-13885 offset drain

#### Material

- Vitreous china

#### Installation

- Wall-mount
- Drilled for concealed arm carrier installation

#### Recommended Products/Accessories

- K-8998 P-Trap
- K-7131-A Offset Drain
- K-23726 Drain treatment
- K-23725 Cast iron cleaner



ADA

#### Codes/Standards

ASME A112.19.2/CSA B45.1  
ADA  
ICC/ANSI A117.1  
IAPMO Certification


#### KOHLER® One-Year Limited Warranty

See website for detailed warranty information.

#### Available Colors/Finishes

*Color tiles intended for reference only.*

| Color | Code | Description |
|-------|------|-------------|
|-------|------|-------------|

|   |   |       |
|---|---|-------|
|  | 0 | White |
|---|---|-------|

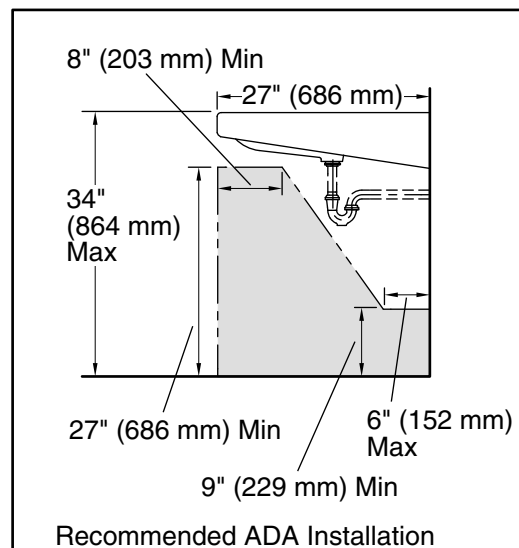
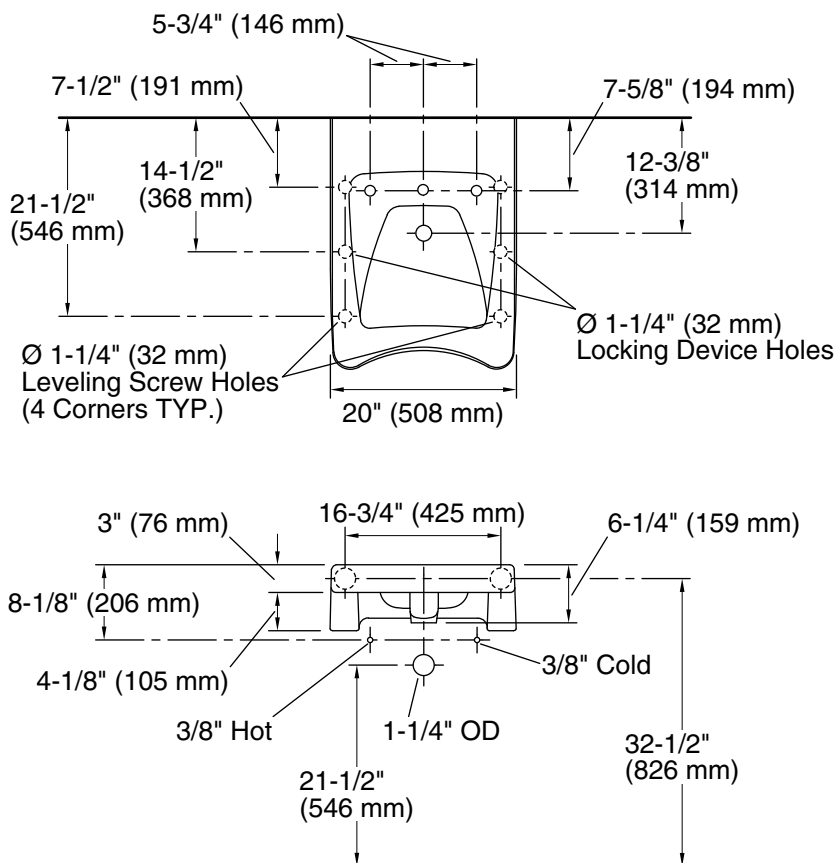
1-800-4KOHLER (1-800-456-4537)

Kohler Co. reserves the right to make revisions without notice to product specifications.

For the most current Specification Sheet, go to [www.kohler.com](http://www.kohler.com) USA or [www.kohler.ca](http://www.kohler.ca) Canada

2-28-2024 21:53 - US

THE BOLD LOOK  
OF **KOHLER**®



### Technical Information

All product dimensions are nominal.

|                       |  |
|-----------------------|--|
| Bowl configuration:   | Single   |
| Bowl area (Only):     | Length: 14" (356 mm)<br>Width: 13" (330 mm)<br>Water depth: 2-5/8" (67 mm) |
| Number of deck holes: | 3  |
| Faucet hole(s):       | 1-3/8" (35 mm)   |
| Drain hole:           | 1-3/4" (44 mm)   |

### Notes

Install this product according to the installation instructions.

ADA compliant when installed to the specific requirements of these regulations.