

Features

- Made from premium materials that withstand high-volume usage
- 21-1/4" (540 mm) x 18-1/8" (460 mm)
- Faucet sold separately
- Includes wall hanger
- Includes soap dispenser drilling on left
- ADA-compliant when installed with K-13885 offset drain

Material

- Vitreous china

Installation

- Wall-mount

Recommended Products/Accessories

K-8998 P-Trap
K-23726 Drain treatment
K-23725 Cast iron cleaner



ADA CSA B651 OBC

Codes/Standards

ASME A112.19.2/CSA B45.1
ADA
ICC/ANSI A117.1
CSA B651
OBC

KOHLER® One-Year Limited Warranty

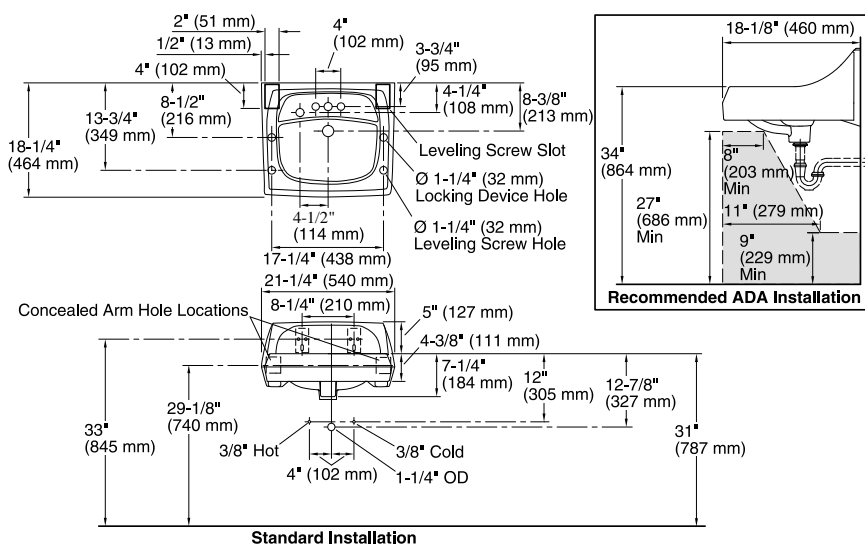
See website for detailed warranty information.

Available Colors/Finishes

Color tiles intended for reference only.

Color Code Description

| | | |
|---|---|-------|
| ■ | 0 | White |
|---|---|-------|



Technical Information

All product dimensions are nominal.

| | |
|-----------------------|--|
| Center(s): | 4 |
| Bowl area (Only): | Length: 16" (406 mm) Width: 10" (254 mm) Water depth: 3-1/8" (79 mm) |
| Number of deck holes: | 4 |
| Faucet hole spacing: | 4" (102 mm) |
| Faucet hole(s): | 1-1/4" (32 mm) |
| Soap/Lotion hole: | 1-1/4" (32 mm) |
| Drain hole: | 1-3/4" (44 mm) |

Notes

Install this product according to the installation instructions.

ADA, OBC, CSA B651 compliant when installed to the specific requirements of these regulations.