

Features

- Brass construction and valve bodies
- Three-hole installation for 8" to 16" centers
- Quarter-turn washerless ceramic disc valves
- Less drain and lift rod
- Vandal-resistant laminar outlet
- Lever handles
- 5-1/2" (140 mm) spout reach
- 1.0 gal/min (3.8 l/m) maximum flow rate at 60 psi (4.14 bar).

Recommended Products/Accessories

K-23723 Faucet cleaner



| | | |
|-----|----------|-----|
| ADA | CSA B651 | OBC |
|-----|----------|-----|

Codes/Standards

ASME A112.18.1/CSA B125.1
NSF/ANSI/CAN 61
NSF/ANSI/CAN 372
All applicable US Federal and State material regulations
DOE - Energy Policy Act 1992
EPA WaterSense®
ADA
ICC/ANSI A117.1
CSA B651
OBC
IAPMO Certification

KOHLER® One-Year Limited Warranty

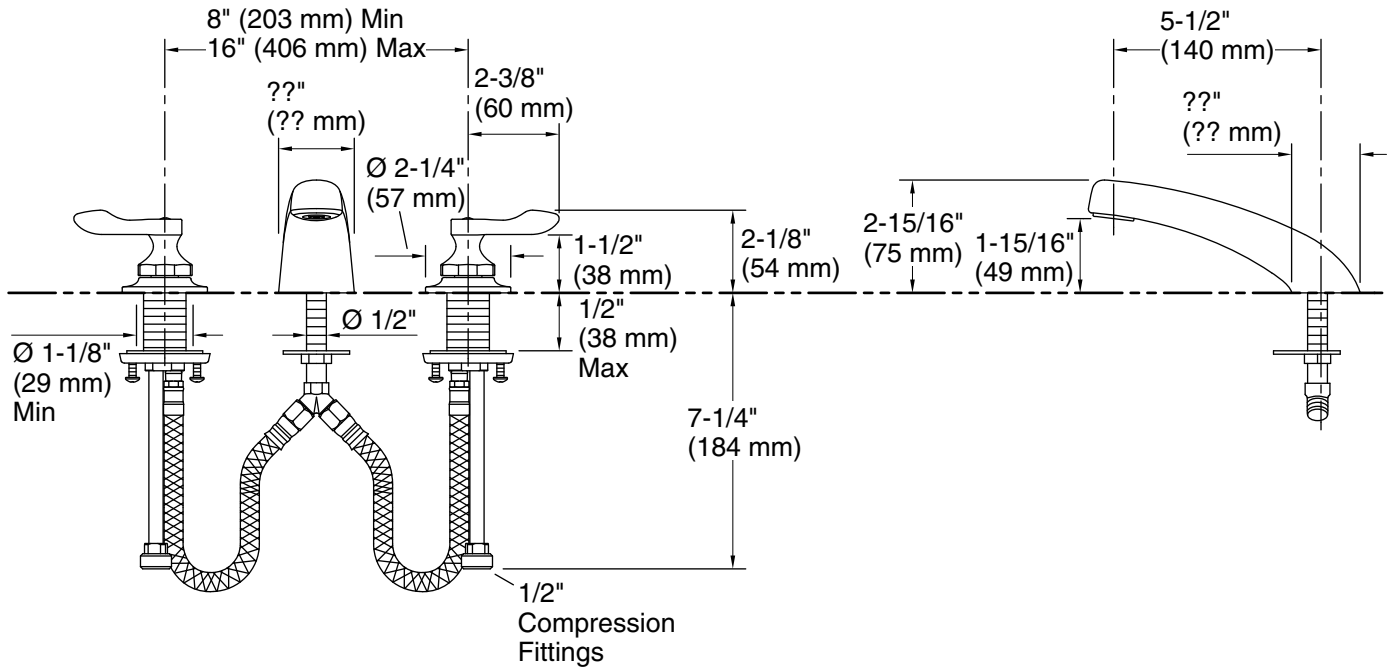
See website for detailed warranty information.

Available Colors/Finishes

Color tiles intended for reference only.

| Color | Code | Description |
|-------|------|-------------|
|-------|------|-------------|

| | | |
|---|----|-----------------|
|  | CP | Polished Chrome |
|---|----|-----------------|



Technical Information

All product dimensions are nominal.

Faucet:

Flow rate: 1 gal/min (3.8 l/min)

Pressure: 60 psi (4.1 bar)

Drain included: No

Spout:

Spout reach: 5-1/2" (140 mm)

Notes

Install this product according to the installation guide.

ADA compliant for handles only.

ADA, OBC, CSA B651 compliant when installed to the specific requirements of these regulations.