

Features

- 5-1/2 (140 mm) centers
- 1-3/8" (35 mm) spout reach
- 1/4-turn full brass ceramic valve
- 2.0 gpm (7.6 lpm) maximum flow rate at 60 psi (4.14 bar)
- Vandal-resistant aerator
- 2-7/16" vandal-resistant metal lever handles
- Grid drain with tailpiece

Material

- Solid-brass construction with thick chrome plating for rough commercial applications

Installation

- Includes yoke for shelf-back installation

Recommended Products/Accessories

- K-23726 Drain treatment
- K-23723 Faucet cleaner



ADA

CSA B651

OBC

Codes/Standards

ASME A112.18.1/CSA B125.1
NSF/ANSI/CAN 61
NSF/ANSI/CAN 372
All applicable US Federal and State material regulations
DOE - Energy Policy Act 1992
ADA
ICC/ANSI A117.1
CSA B651
OBC
IAPMO Certification

KOHLER[®] One-Year Limited Warranty

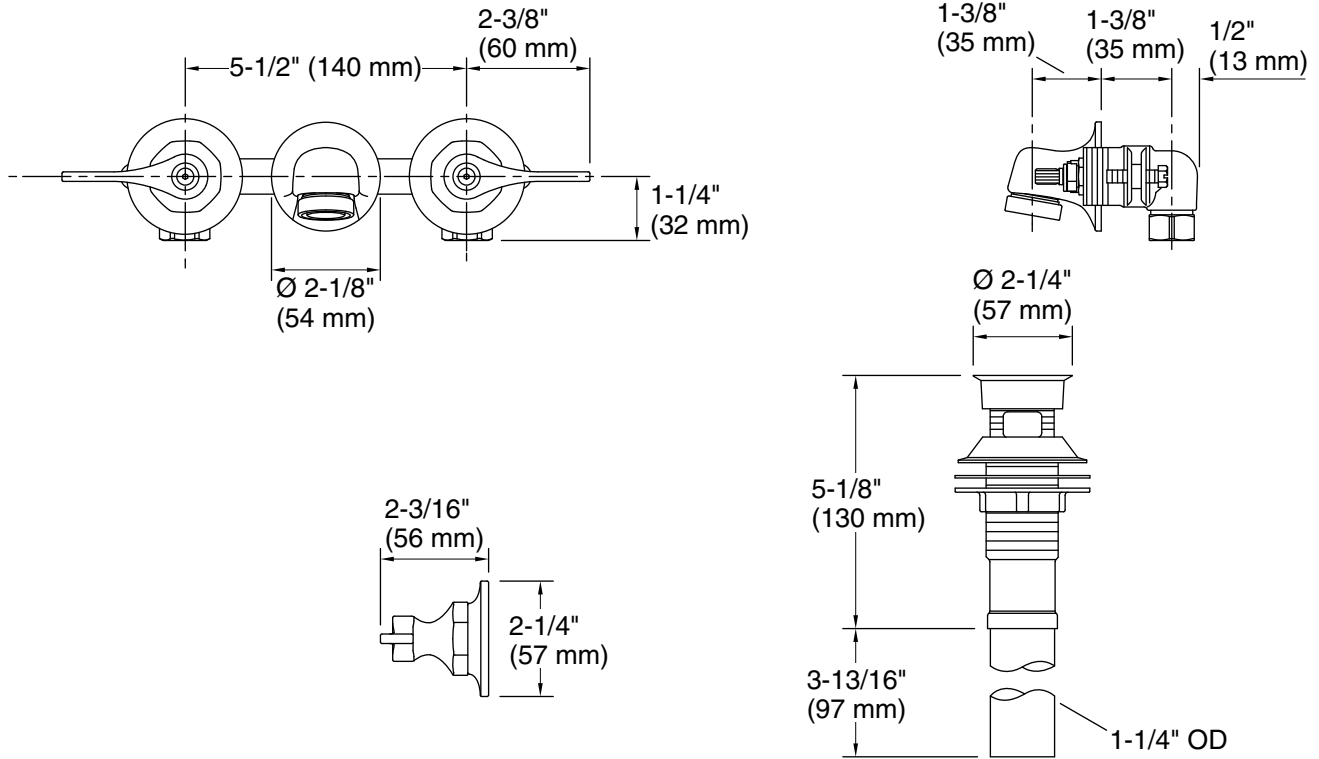
See website for detailed warranty information.

Available Colors/Finishes

Color tiles intended for reference only.

Color	Code	Description
-------	------	-------------

	CP	Polished Chrome
---	----	-----------------



Technical Information

All product dimensions are nominal.

Faucet:

Flow rate: 2 gal/min (7.6 l/min)

Pressure: 60 psi (4.1 bar)

Drain included: Yes

Spout:

Spout reach: 1-3/8" (34 mm)

Handle clearance: 2-7/16" (62 mm)

Notes

Install this product according to the installation instructions.

ADA compliant for handles only.

ADA, OBC, CSA B651 compliant when installed to the specific requirements of these regulations.