

Features

- 44 airjets release thousands of heated bubbles that surround, support, and massage the body
- Variable-speed blower lets you adjust massage intensity to 18 levels
- Automatic and manual purge cycles remove residual water from air channels after use
- Spacious design accommodates up to two bathers
- Lighted keypad control
- 60-minute automatic shutoff timer
- Safeguard® slip-resistant surface provides excellent traction underfoot
- Integral lumbar support
- Color-matched jet trim

Material

- KOHLER® enameled cast iron

Technology

- Heated BubbleMassage™ technology warms and humidifies air before it enters the bath

Installation

- Drop-in or undermount
- Reversible drain
- 120 V electrical requirement allows for easy installation with standard outlet
- Requires two dedicated circuits
- Requires cable pop-up bath drain and bath drain trim (sold separately)

Required Products/Accessories

K-23857 Bath drain trim

or

K-78440 33" cable pop-up bath drain

Recommended Products/Accessories

K-1179 Vinyl Tiling-in Bead

K-582 Under-Mount Installation Kit

K-31796 Above-the-floor bath drain kit

K-31798 Bath drain kit



Codes/Standards

ASME A112.19.7/CSA B45.10

ASME A112.19.1/CSA B45.2

ASTM F462

UL 1795

CSA C22.2 No. 218.2

IAPMO Certification

cUL Listed




UL Listed

KOHLER® Enameled Cast Iron Bath and Shower Base Lifetime Limited Warranty

See website for detailed warranty information.

Available Colors/Finishes

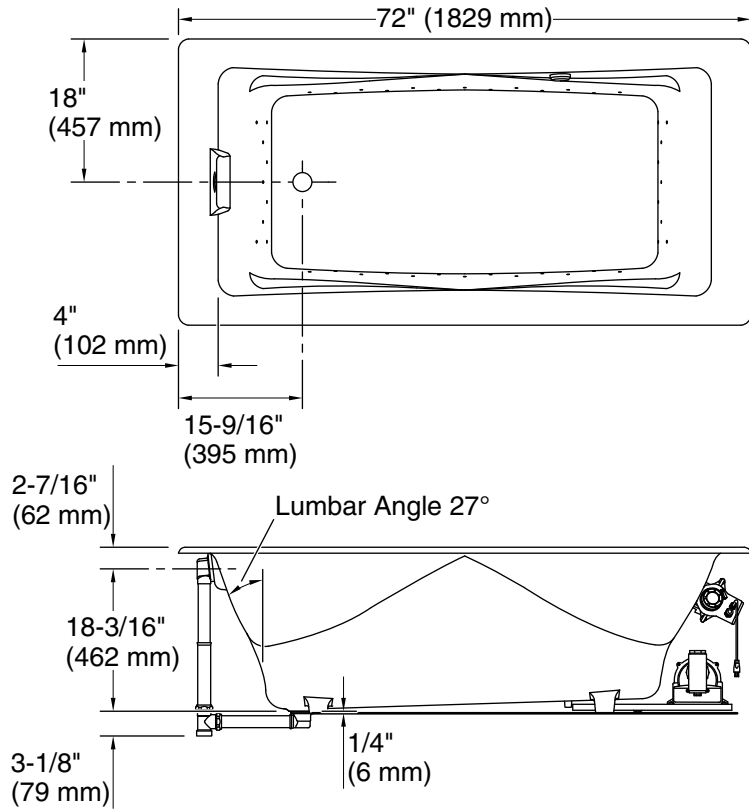
Color tiles intended for reference only.

Color	Code	Description
	0	White
	96	Biscuit
	NY	Dune
	7	Black Black™

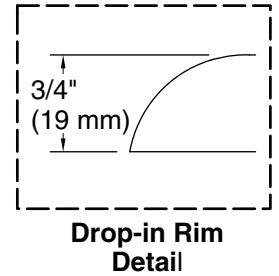


Tea-for-Two®

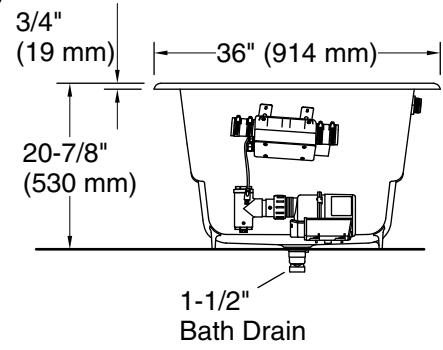
71-3/4" x 36" drop-in Heated BubbleMassage™ air bath
bath
K-865-GHBN



No change in measurements if connected with drain illustrated. (K-7169AF)



Blower Motor Access
20" (508 mm) W x 15" (381 mm) H Min



Required Electrical Service

Two dedicated circuits required, protected with Class A Ground-Fault Circuit-Interrupter (GFCI). Outside North America, this device may be known as a Residual Current Device (RCD).

- Blower: 120 V, 15 A, 60 Hz
- Air bath: 120 V, 15 A, 60 Hz

Technical Information

All product dimensions are nominal.

- Drain location: Reversible
- Basin area, bottom: 49" x 22" (1245 mm x 559 mm)
- Basin area, top: 62" x 28" (1575 mm x 711 mm)
- Weight: 455 lbs (206.4 kg)
- Minimum floor load: 80 lbs/ft² (390.6 kg/m²)
- Water depth: 17" (432 mm)
- Water capacity: 89 gal (336.9 L)
- Cutout: Drop-in, 70-1/4" x 34-1/2" (1784 mm x 876 mm)
- Template: K-582, required, not included
- Electrical component Blower: 120 V, 10 A, 60 Hz
- Electrical component Air bath: 120 V, 15 A, 60 Hz

Notes

Measure your actual product for rough-in details.

Install this product according to the installation instructions.

The hot water supply should be 70% of the capacity of the bath or greater. Installations will vary.

1-800-4KOHLER (1-800-456-4537)

Kohler Co. reserves the right to make revisions without notice to product specifications.

For the most current Specification Sheet, go to www.kohler.com USA or www.kohler.ca Canada

3-10-2024 19:58 - US

