

Features

- Vandal-resistant aerator
- 24" (610 mm) flexible supply hose for easy installation
- 5" (127 mm) spout reach
- Without temperature mixer
- Less drain
- 0.5 gpm (1.9 lpm) maximum flow rate
- Insight™ adaptive infrared technology
- Waterproof shroud protects electronic components
- Water-saving vandal-resistant 0.5 gpm aerator

Material

- Brass

Technology

- Includes 3.6 volt Hybrid Energy Cell

Installation

- Single-hole mounting
- Above-counter valve for easy installation and maintenance

Recommended Products/Accessories

K-23723 Faucet cleaner

Optional Products/Accessories

- K-99799 Thermostatic Tempering Valve
- K-13478-A 4" escutcheon plate for Insight™ and Kinesis® faucet
- K-13478-B 4" escutcheon plate for Insight™ and Kinesis® faucet
- K-13479-A 8" escutcheon plate for Insight™ and Kinesis® faucet
- K-13479-B 8" escutcheon plate for Insight™ and Kinesis® faucet
- K-7129 Drain
- K-7129-A Drain
- 1160595 .35 gpm Aerator, Medium



ADA

CSA B651

OBC

Codes/Standards



ASME A112.18.1/CSA B125.1
 NSF/ANSI/CAN 372
 All applicable US Federal and State material regulations
 DOE - Energy Policy Act 1992
 ADA
 ICC/ANSI A117.1
 CSA B651
 OBC
 IAPMO Certification

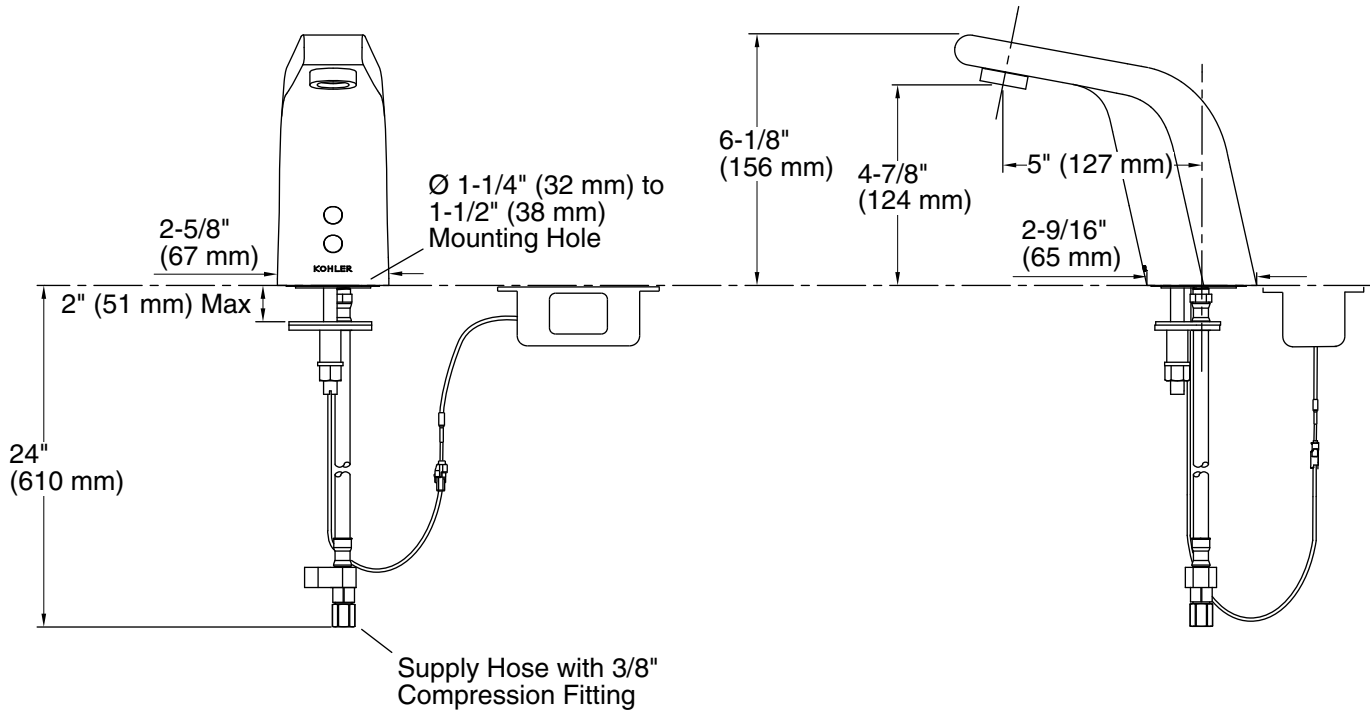
KOHLER® Electronic Faucets, Valves, and Controls Five-Year Limited Warranty

See website for detailed warranty information.

Available Colors/Finishes

Color tiles intended for reference only.

| Color | Code | Description |
|---|------|--------------------|
|  | CP | Polished Chrome |
|  | VS | Vibrant® Stainless |



Technical Information

All product dimensions are nominal.

Faucet:

Flow rate: 0.5 gal/min (1.9 l/min)

Drain included: No

Notes

Install this product according to the installation guide.

A $1\text{-}1/4\text{''}$ (32 mm) minimum to $1\text{-}1/2\text{''}$ (38 mm) maximum diameter mounting hole is required.

The minimum distance between the back of the faucet spout and the wall must be $1\text{-}3/4\text{''}$ (44 mm). This will allow proper clearance for setscrew access.

The maximum distance between the bathroom sink basin edge to the base of the faucet spout must be $1\text{-}3/4\text{''}$ (44 mm).

The maximum height of the lip basin should be $3/4\text{''}$ (19 mm).

Product includes rosebud spray aerator. Other aerator styles are available.

ADA, OBC, CSA B651 compliant when installed to the specific requirements of these regulations.