

### Features

- Kinesis® technology with concealed sensor allows for a clean aesthetic and provides extraordinarily accurate and reliable actuation in varying installation environments
- Below-counter valving reduces the faucet footprint and provides easier service
- Design-forward aesthetic for commercial bathroom spaces
- 0.5 gpm (1.9 lpm) maximum flow rate
- Powered by Kohler's Hybrid Energy System (HES), which provides maintenance-free power for up to 30 years (approx. 875,000 cycles)
- On-demand usage with 30-second max. continual run cycle to prevent vandalism and save water
- Vandal-resistant aerator
- 5-5/16" (135 mm) spout reach
- Grid drain
- Includes concealed mechanical mixer
- Complies with the Safe Drinking Water Act (SDWA)

### Material

- Metal construction spout
- Cast brass valve

### Technology

- Kinesis® sensor technology offers on-demand detection for maximum water savings

### Installation

- Single-hole mounting
- Includes spout assembly, grid drain, control box assembly, supply hose, mixer and standard mounting hardware
- Includes one hybrid cell

### Recommended Products/Accessories

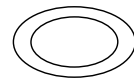
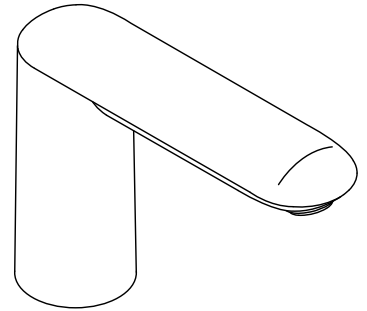
K-23726 Drain treatment  
K-23723 Faucet cleaner

### Optional Products/Accessories

K-13478-A 4" escutcheon plate for Insight™ and Kinesis® faucet  
K-13478-B 4" escutcheon plate for Insight™ and Kinesis® faucet  
K-13479-A 8" escutcheon plate for Insight™ and Kinesis® faucet  
K-13479-B 8" escutcheon plate for Insight™ and Kinesis® faucet  
K-99799 Thermostatic Tempering Valve

### Included Components

K-7129-A Drain



### Codes/Standards

ASME A112.18.1/CSA B125.1  
NSF/ANSI/CAN 61  
NSF/ANSI/CAN 372  
All applicable US Federal and State material regulations  
DOE - Energy Policy Act 1992  
California Energy Commission (CEC)  
ADA  
ICC/ANSI A117.1  
CSA B651  
OBC  
IAPMO Certification

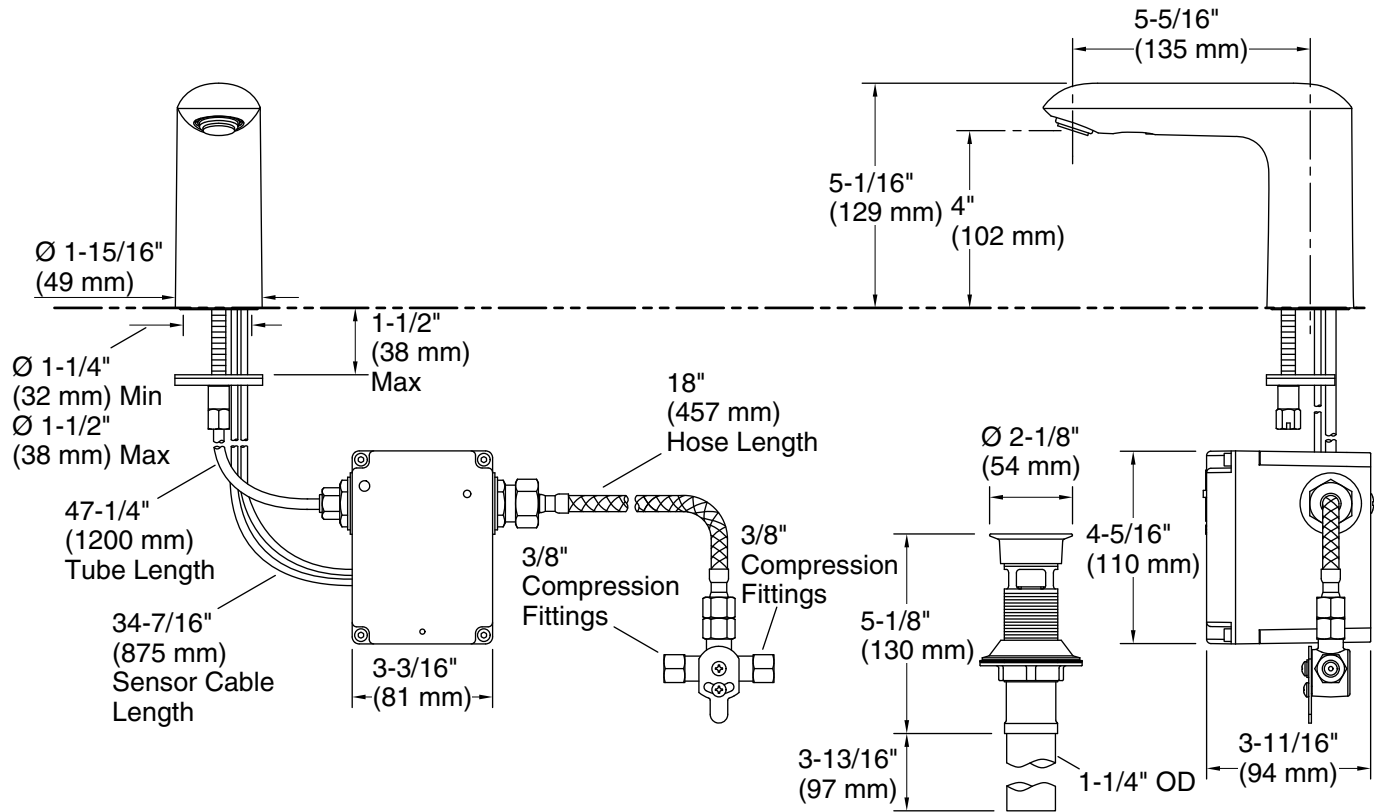
### KOHLER® One-Year Limited Warranty

See website for detailed warranty information.

### Available Colors/Finishes

*Color tiles intended for reference only.*

Color	Code	Description
	CP	Polished Chrome



### Technical Information

All product dimensions are nominal.

Power source: Hybrid Energy Cell, included

#### Faucet:

Flow rate: 0.5 gal/min (1.9 l/min)

Pressure: 60 psi (4.1 bar)

Drain included: Yes

#### Spout:

Spout reach:  $5\text{-}5/16''$  (135 mm)

### Notes

Install this product according to the installation instructions.

A  $1\text{-}1/4''$  (32 mm) minimum to  $1\text{-}1/2''$  (38 mm) maximum diameter mounting hole is required.

The minimum distance between the back of the faucet spout and the wall must be  $1\text{-}3/4''$  (44 mm). This will allow proper clearance for setscrew access.

The maximum distance between the bathroom sink basin edge to the base of the faucet spout must be  $1\text{-}3/4''$  (44 mm).

ADA, OBC, CSA B651 compliant when installed to the specific requirements of these regulations.