

Features

- Quarter-turn washerless ceramic disc valves
- Vandal-resistant lever handles
- Gooseneck swing/rigid spout with 5-1/4" (133 mm) reach
- Lower flow aerator options are available
- 1.0 gal/min (3.8 l/m) maximum flow rate at 60 psi (4.14 bar).
- Vandal-resistant laminar outlet

Material

- Brass
- Brass valve bodies

Installation

- Single-hole installation

Recommended Products/Accessories

K-23723 Faucet cleaner



ADA

CSA B651

OBC

Codes/Standards

ASME A112.18.1/CSA B125.1

NSF/ANSI/CAN 61

NSF/ANSI/CAN 372

All applicable US Federal and State material regulations

DOE - Energy Policy Act 1992

EPA WaterSense®

ADA

ICC/ANSI A117.1

CSA B651

OBC

IAPMO Certification

KOHLER® One-Year Limited Warranty

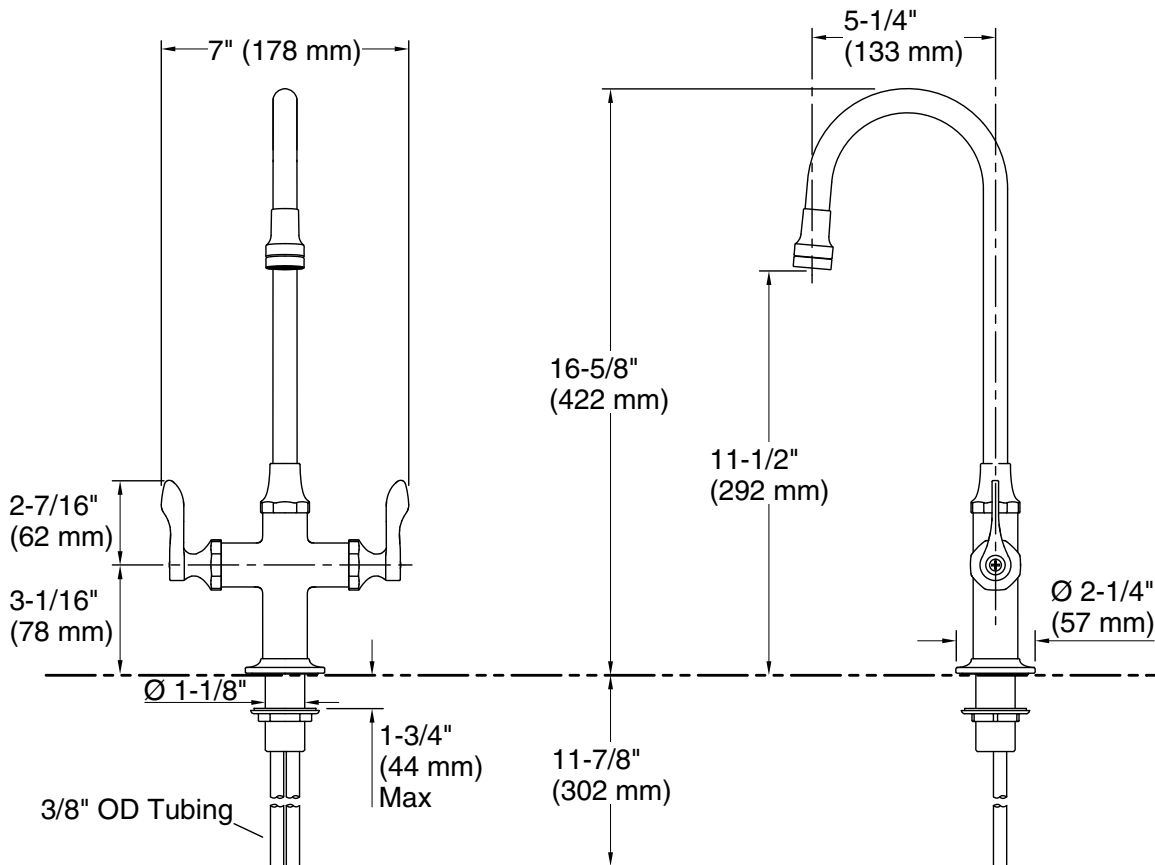
See website for detailed warranty information.

Available Colors/Finishes

Color tiles intended for reference only.

Color Code Description

 CP Polished Chrome



Technical Information

All product dimensions are nominal.

Faucet:

Flow rate: 1 gal/min (3.8 l/min)

Pressure: 60 psi (4.1 bar)

Drain included: No

Spout:

Spout reach: 5-3/16" (132 mm)

Notes

Install this product according to the installation guide.

ADA compliant for handles only.

ADA, OBC, CSA B651 compliant when installed to the specific requirements of these regulations.