

## Features

- One-piece, self-contained ceramic disc valve allows both volume and temperature control
- Stationary spout
- Metal grid drain with metal tailpiece
- Flexible connections
- 0.5 gpm (1.9 lpm) maximum flow rate at 80 psi (5.5 bar)

## Material

- Brass

## Installation

- For single-hole installation
- 4-3/8" (111 mm) spout reach

## Recommended Products/Accessories

- K-23726 Drain treatment
- K-23723 Faucet cleaner



**ADA**

**CSA B651**

**OBC**

## Codes/Standards

ASME A112.18.1/CSA B125.1

NSF/ANSI/CAN 61

NSF/ANSI/CAN 372

All applicable US Federal and State material regulations

DOE - Energy Policy Act 1992

California Energy Commission (CEC)

ADA

ICC/ANSI A117.1

CSA B651

OBC

IAPMO Certification

## KOHLER<sup>®</sup> Faucet Lifetime Limited Warranty

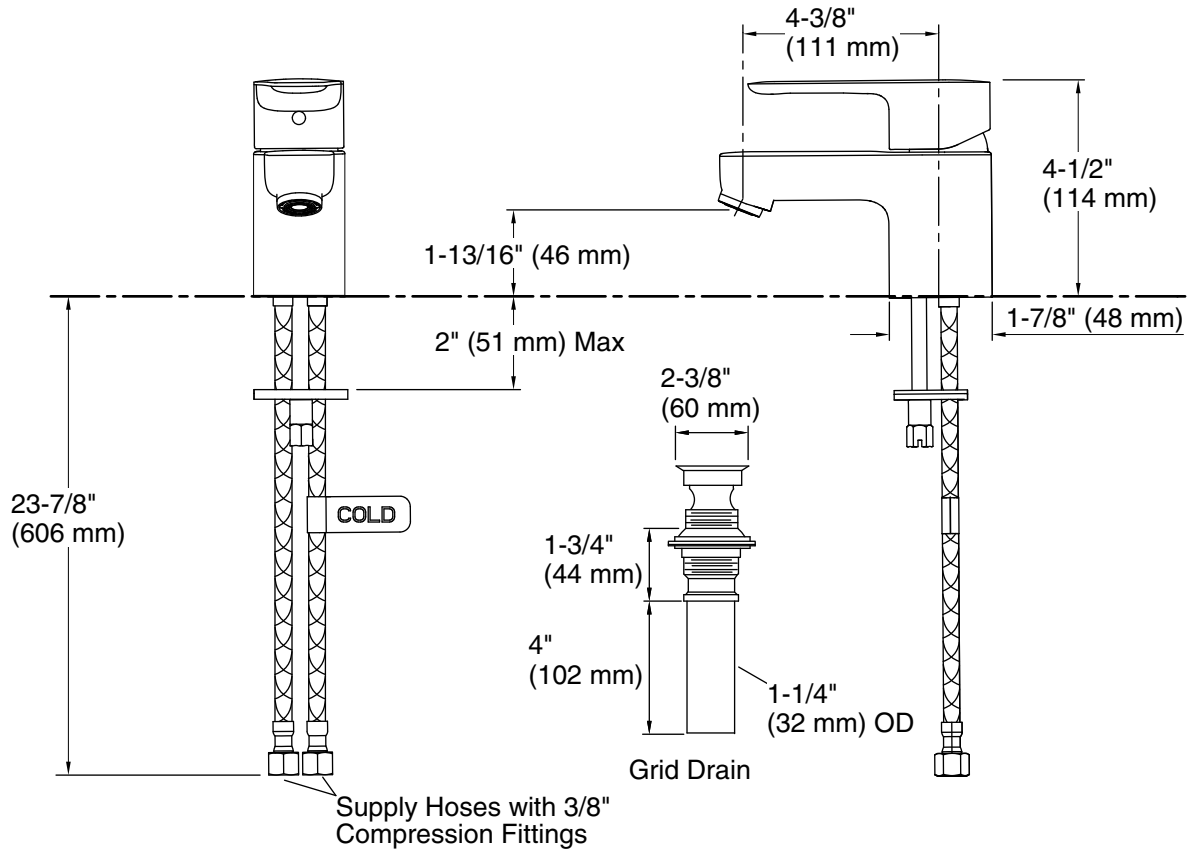
See website for detailed warranty information.

## Available Colors/Finishes

*Color tiles intended for reference only.*

### Color Code Description

	CP	Polished Chrome
---	----	-----------------



### Technical Information

All product dimensions are nominal.

#### Faucet:

Flow rate: 0.5 gal/min (1.9 l/min)

Pressure: 80 psi (5.5 bar)

Drain included: Yes

Drain with overflow: Yes

#### Spout:

Spout reach: 4-3/8" (111 mm)

### Notes

Install this product according to the installation guide.

ADA compliant for handles only.

ADA, OBC, CSA B651 compliant when installed to the specific requirements of these regulations.